



\*Door panel and handle not supplied by U-Line.



INTEGRATED  
SOLID

## FEATURES & BENEFITS

<b>PERFORMANCE</b>	<ul style="list-style-type: none"> <li>• Uses less than 3 gallons/11.4 liters of water to produce up to 25 lbs / 11.3 kg of ice per day</li> <li>• Up to 25 lbs / 11.3 kg in ice storage capacity</li> <li>• Daily ice production rate is approx. 4 times greater than the average household refrigerator</li> <li>• Crescent ice cube dimensions: 1/2" W x 3/4" H x 2 1/4" L / 13 mm W x 19 mm H x 57 mm L</li> <li>• On/Off switch is conveniently located on lower face of unit</li> </ul>
<b>INTERIOR/EXTERIOR</b>	<ul style="list-style-type: none"> <li>• No drain required</li> <li>• Door swing is field reversible, and is shipped right-hand hinged</li> </ul>
<b>INTEGRATION</b>	<ul style="list-style-type: none"> <li>• Unit is designed to be built-in or can be freestanding</li> <li>• Integrated model requires 3/4" / 19 mm custom door panel (panels not supplied by U-Line)</li> <li>• Four independently adjustable leveling legs provide a precise undercounter fit</li> </ul>

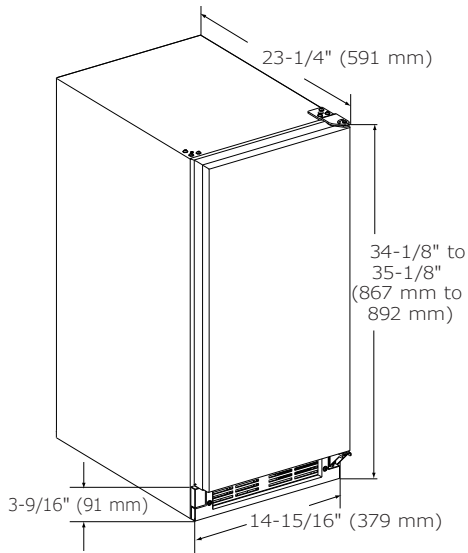
## MODEL DETAILS

Model	Voltage/Hz	Door Swing	Finish	Shipping Weight
U-BI1215INT-20A	230 / 50	Field Reversible	Integrated Solid	89 lb / 40.4 kg

## ACCESSORIES

Model	Description	Finish	Shipping Weight
ULAWATERHOOKUP	Braided Water Supply Line Kit	N/A	2 lb / .9 kg

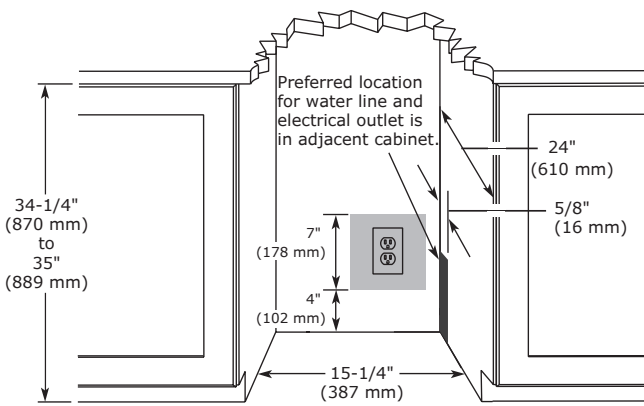
**DIMENSIONS**



**SPECIFICATIONS**

Model	U-BI1215INT-20A
Amps: Running	2.5
Control Type	On/Off Switch
Defrost Type	Manual
Dimensions: Product Depth	23 1/4" / 591 mm
Dimensions: Product Height	34 1/8" / 867 mm
Dimensions: Product Width	14 15/16" / 379 mm
Ice Production Per Day	25 lb / 11.3 kg
Ice Storage	25 lb / 11.3 kg
Panel Height	30 1/4" / 768 mm
Panel Thickness	3/4" / 20 mm
Panel Type	Solid Panel
Panel Width	14 3/4" / 375 mm
Product Weight: Max	89 lb / 40.4 kg
Refrigerant Type	R134a (2.79 oz)

**CABINET CUT-OUT**



**INSTALLATION NOTES**

When installing adjacent to wall, ensure 2 1/2" / 64 mm clearance on hinged side for 90° door opening, allowing ample room for door handle.

No additional clearance around sides, top or rear of unit is needed for ventilation.

Do not obstruct front grille air flow.



Please visit [u-line.com](http://u-line.com) to view this model's User Guide & Service Manual. All Specifications are subject to change without notice.