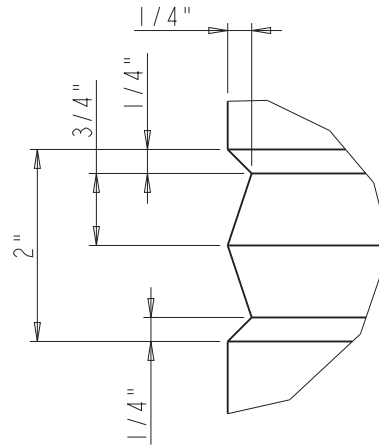
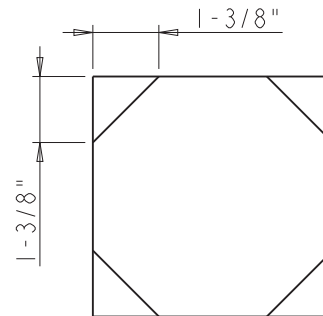


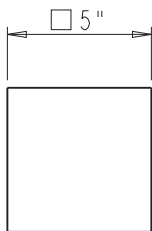
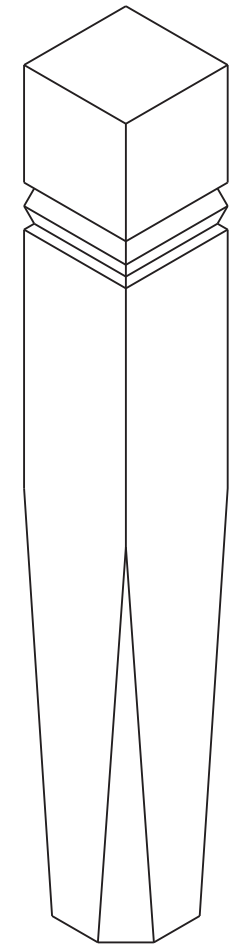
SEE DETAIL A



DETAIL A
SCALE 1:2



BOTTOM VIEW



	ITEM:	P79-5		MATERIAL:	PTC_MATERIAL_NAME	
	FINISH:			WEIGHT:	0.000	
PROPRIETARY AND CONFIDENTIAL THE INFORMATION CONTAINED IN THIS DRAWING IS THE SOLE PROPERTY OF HARDWARE RESOURCES INC. ANY REPRODUCTION IN PART OR AS A WHOLE WITHOUT THE WRITTEN PERMISSION OF HARDWARE RESOURCES INC. IS PROHIBITED.	TOLERANCE UNLESS OTHERWISE SPECIFIED: X ±0.20 XX ±0.10 XXX ±0.05 ANGULAR: ±0.5°		UNITS:	DRAWN BY:	DATE:	
	SIZE: A4		APPROVED BY:	05-07-15		
	SHEET: 1 OF 1		RELEASE LEVEL:			
	DO NOT SCALE DRAWING					