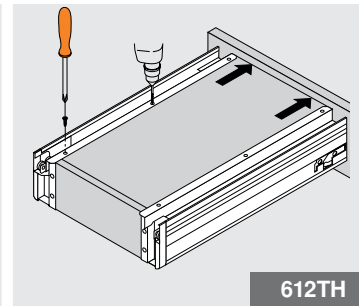
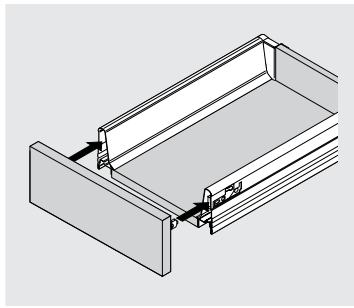
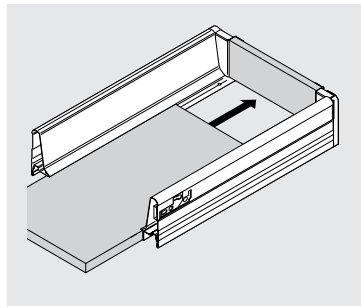
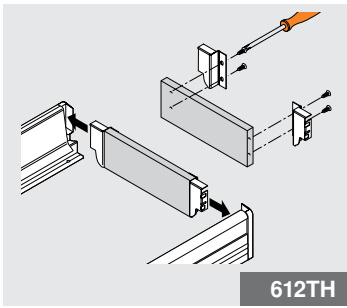
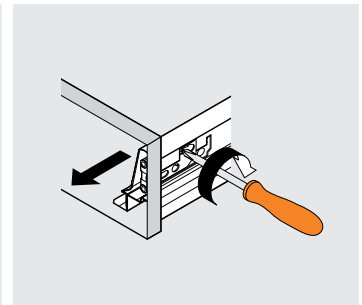
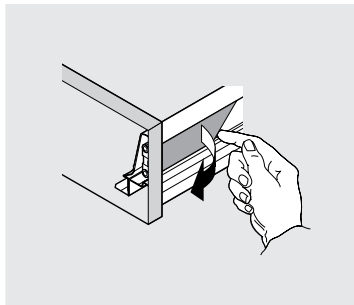
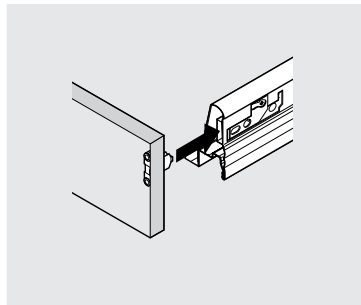
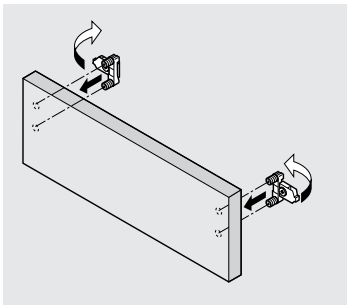


TANDMEBOX assembly, removal and adjustment

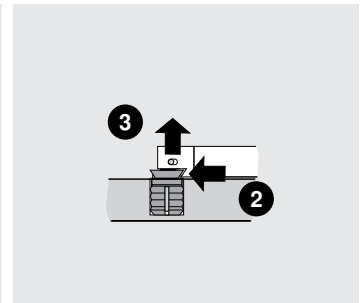
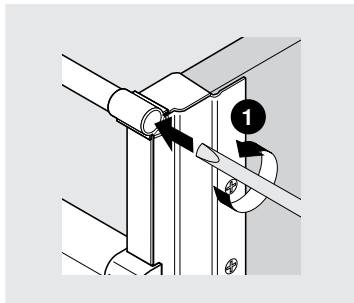
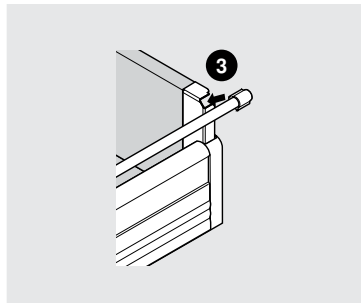
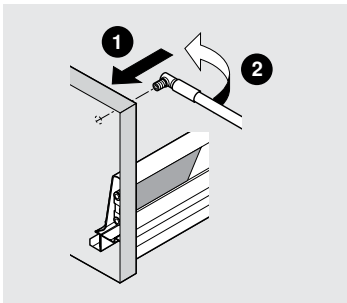
Drawer assembly



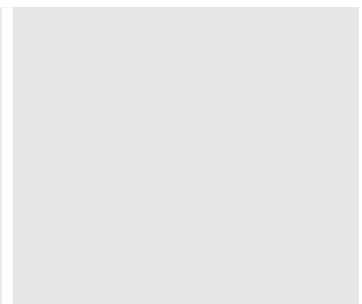
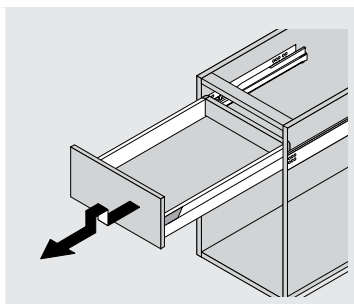
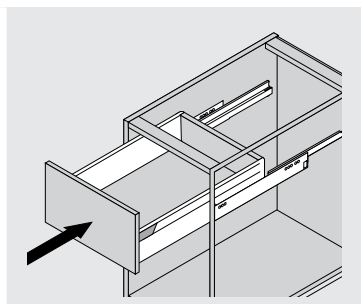
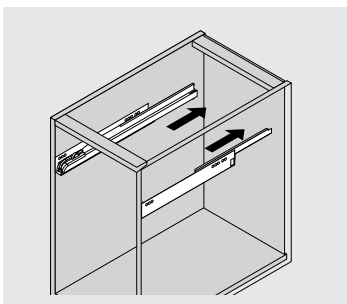
Drawer front attachment and removal



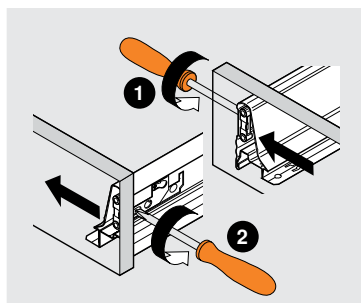
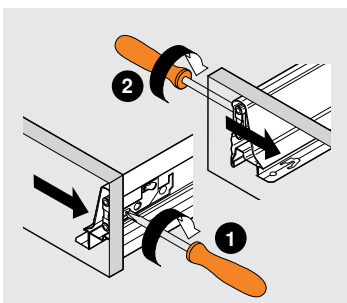
Drawer with gallery



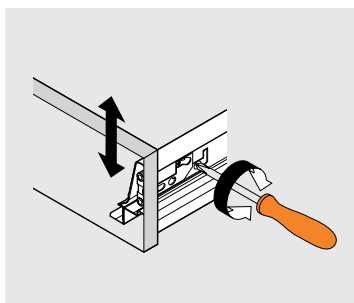
Drawer insertion and removal



Side adjustment



Cam height adjustment



Tilt adjustment

