

DESCRIPTION

- Metal and/or ceramic construction
- 1/2" CC or IPS connections
- Includes adjustable 3-function showerhead, arm and flange

OPERATION

- Flow handle (lever) operates counterclockwise through a 180° arc with off at 6 o'clock and maximum flow at the 12 o'clock position. Shut off in clockwise direction
- Temperature handle (knob) operates through a 340° arc with maximum cold at full clockwise rotation (corresponding to the numeral 1) and maximum hot at full counterclockwise rotation (corresponding to the numeral 9)
- Thermostatic pressure balancing mechanism maintains selected discharge temperature to $\pm 3^{\circ}\text{F}$
- Factory established temperature range from 85°F (29°C) to 115°F (46°C)

FLOW

- Showerhead is limited to 2.5 gpm (9.5 L/min)

CARTRIDGE

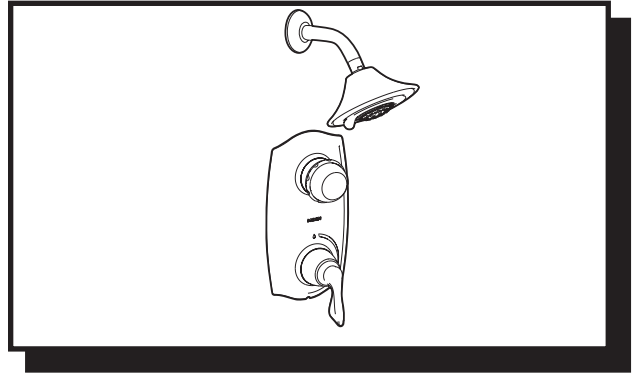
- Thermostatic pressure balancing cartridge design with nonmetallic/nonferrous materials
- 1248 cartridge design with nonmetallic/nonferrous and stainless steel materials

STANDARDS

- Third party certified by CSA to meet CSA B-125, ASME A112.18.1M and all applicable requirements referenced therein including ASSE 1016

WARRANTY

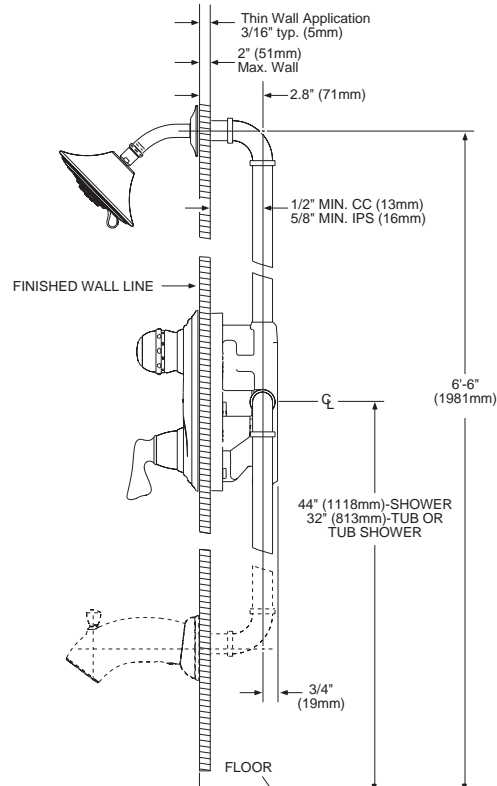
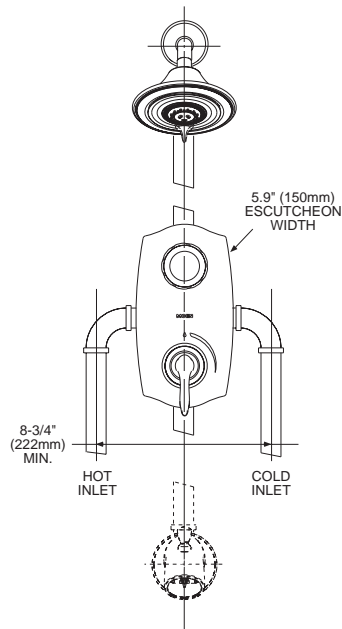
- Lifetime limited warranty against leaks, drips and finish defects to the original consumer purchaser
- 5 year warranty if used in commercial installations



ASCERI™ COLLECTION ExactTemp™ Shower (Trim Only)

Models: T3429, T3429CP,
T3429CPM, T3429STV,
T3429NLBL, T3429CGPC, T3429CGSA

Valves: 3301 (CC), 3321 (IPS)



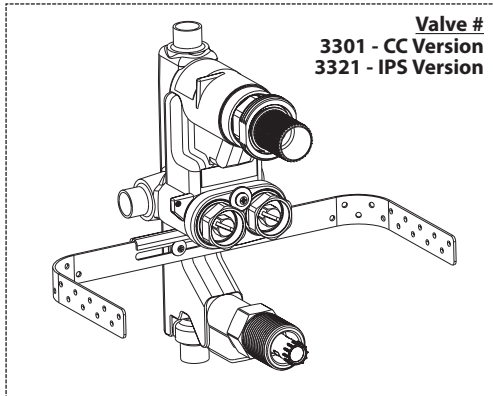
CRITICAL DIMENSIONS

(DO NOT SCALE)

■ Order by Part Name and Part Number (Bold Face Type)

*Etching on Satine escutcheon

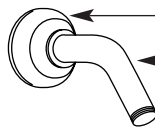
See 3301/3321 for ordering valve parts.



| ASCERI™ COLLECTION ExactTemp™ Tub/Shower (Trim Only) | | | | | |
|---|-------------------------------|--------------|-------------------------------|-------------------|-----------|
| Shower Only | | Tub & Shower | | MODEL | |
| MODEL | FINISH | MODEL | FINISH | DISCONTINUED SKUS | |
| T3429 | Chrome | T3431 | Chrome | T3428 | T3429CGSA |
| T3429CGPC | Classic Gold/ Pebble Cream | T3431CGPC | Classic Gold/ Pebble Cream | T3428CGPC | T3429NLBL |
| T3429CP | Chrome/Pol. Brass | T3431CP | Chrome/Pol. Brass | T3428CP | |
| T3429CPM | Chrome/Platinum | T3431CPM | Chrome/Platinum | T3428CPM | |
| T3429STV | Satine/Ivory | T3431NLBL | Nickel/Matte Black | T3428NLBL | |
| | | T3431STV | Satine/Ivory | T3428STV | |

Shower Arm Flange

- AT2199** Chrome
- AT2199P** Polished Brass
- AT2199ST** Satine
- AT2199NL** Nickel
- AT2199CG** Classic Gold

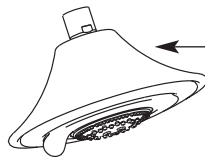


Shower Arm

- 10154** Chrome
- 10154P** Polished Brass
- 10154ST** Satine
- 10154NL** Nickel
- 10154CG** Classic Gold

Shower Head Kit

- 104238** Chrome
- 104238CP** Chrome/Polished Brass
- 104238CPM** Chrome/Platinum
- 104238STV** Satine/Ivory
- 104238CGPC** Classic Gold/Pebbled Cream
- 104239NLBL** Nickel/Matte Black



Thermostatic Lower Shell Kit

- 103675** Chrome
- 103675P** Polished Brass
- 103675PC** Pebbled Cream
- 103675BL** Matte Black
- 103675PM** Platinum
- 103675V** Ivory
- 103675PC** Pebbled Cream
- 103675BL** Matte Black

Ring Escutcheon Kit (1)

- 103682** Chrome
- 103682ST** Satine
- 103682NL** Nickel
- 103682CG** Classic Gold

Thermostatic Upper Knob Kit

- 103673** Chrome
- 103673ST** Satine
- 103673NL** Nickel
- 103673CG** Classic Gold

Escutcheon Kit

- 103683** Chrome
- 103683ST** *Satine - etched
- 103683NL** Nickel
- 103683CG** Classic Gold

Flow Handle Shell Kit

- 103681** Chrome
- 103681P** Polished Brass
- 103681PM** Platinum
- 103681V** Ivory
- 103681BL** Matte Black
- 103681PC** Pebbled Cream

End Cap Kit

- 103679** Chrome
- 103679P** Polished Brass
- 103679PM** Platinum
- 103679BL** Matte Black
- 103679V** Ivory
- 103679PC** Pebbled Cream

Tub Spout Kit

- 104240** Chrome
- 104240CP** Chrome/Polished Brass
- 104240CPM** Chrome/Platinum
- 104240STV** Satine/Ivory
- 104240CGPC** Classic Gold/Pebbled Cream
- 104240NLBL** Nickel/Matte Black

Tub Spout Diverter Repair Kit

- 104241** Chrome
- 104241ST** Satine
- 104241CG** Classic Gold
- 104241NL** Nickel

Flow Handle Kit

- 103680** Chrome
- 103680ST** Satine
- 103680NL** Nickel
- 103680CG** Classic Gold

DESCRIPTION



- Metal construction with a chrome plated, Platinum, LifeShine® Polished Brass, LifeShine® Satine™, LifeShine® Classic Gold, LifeShine® Brushed Nickel, LifeShine® Nickel or Wrought Iron finish. Ceramic construction with Pebbled Cream finish.

OPERATION



- Knob style handle operation
- Ceramic disk cartridge
- 4 discrete and 1 shared function

STANDARDS

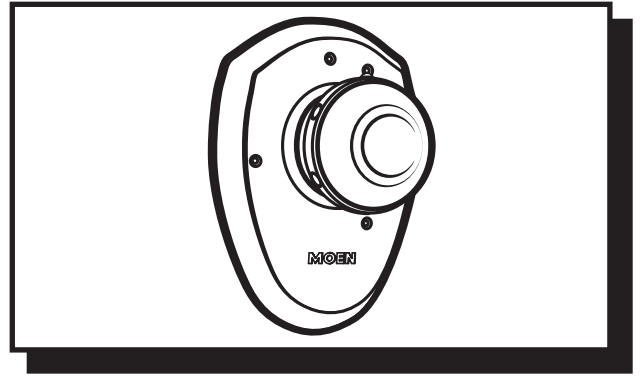


- Third party certified by CSA to meet CSA B-125, ASME A112.18.1M and all applicable requirements referenced therein

WARRANTY



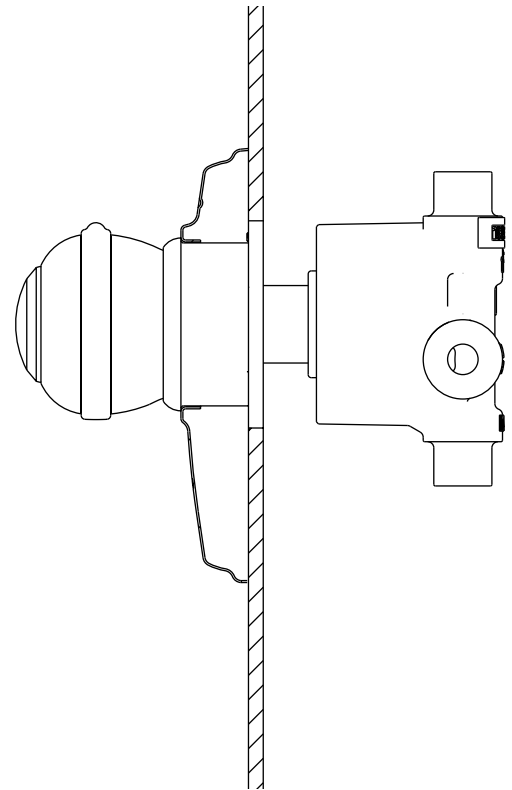
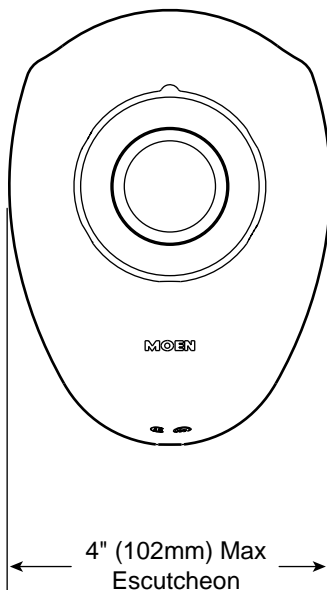
- Lifetime limited warranty against leaks, drips and finish defects to the original consumer purchaser
- 5 year warranty if used in commercial installations



5-Function Transfer Valve Trim

**Models: T4160, T4160CP,
T4160CPM, T4160STV, T4160NLBL,
T4160CGSA, T4160CGPC, T4160BN,
T4160WR**

Valve: 3530, 3500



CRITICAL DIMENSIONS

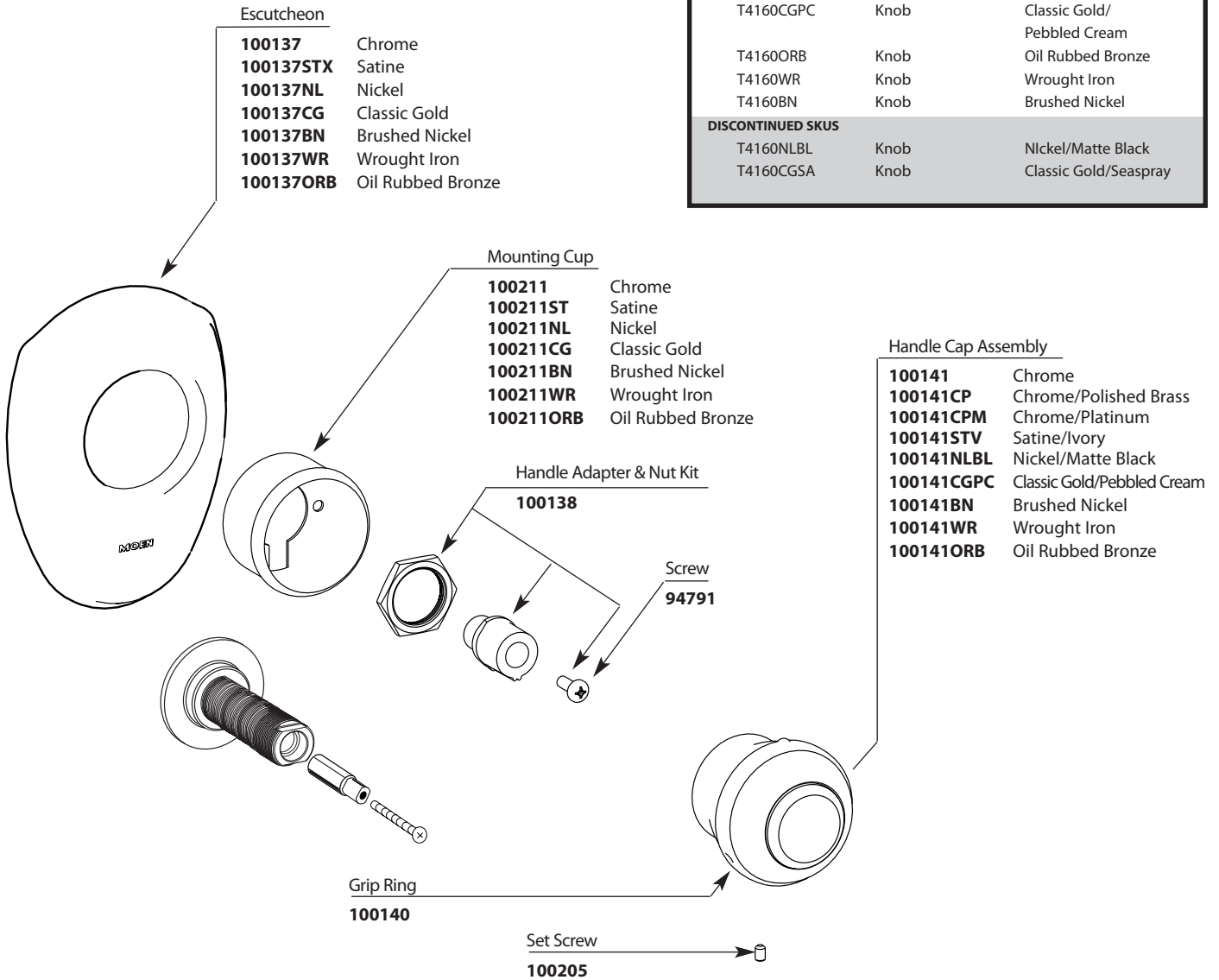
(DO NOT SCALE)

ASCERI™ 5-Function Transfer Valve Trim

| MODEL | HANDLE TYPE | FINISH |
|-----------|-------------|--------------------------------|
| T4160 | Knob | Chrome |
| T4160CP | Knob | Chrome/Pol. Brass |
| T4160CPM | Knob | Chrome/Platinum |
| T4160STV | Knob | Satine™/Ivory |
| T4160CGPC | Knob | Classic Gold/ Pebbled Cream |
| T4160ORB | Knob | Oil Rubbed Bronze |
| T4160WR | Knob | Wrought Iron |
| T4160BN | Knob | Brushed Nickel |

DISCONTINUED SKUS

| | | |
|-----------|------|-----------------------|
| T4160NLBL | Knob | Nickel/Matte Black |
| T4160CGSA | Knob | Classic Gold/Seaspray |



DESCRIPTION

- Metallic spray face and shell
- Brass swivel ball assembly
- Available in chrome plated, LifeShine® Polished Brass, Satine™, Black Opal, Classic Gold™, Nickel, Platinum or Glacier finish

OPERATION

- Single spray function

FLOW

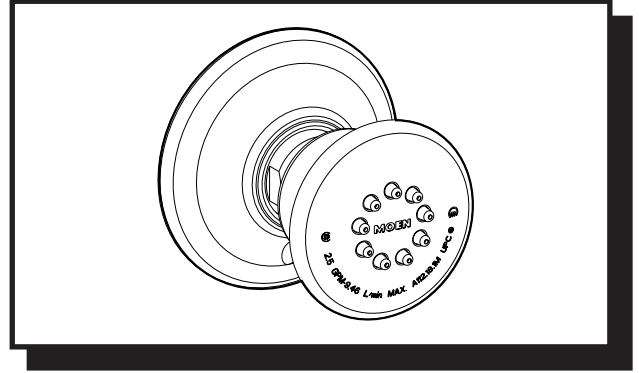
- Designed to deliver 2.5 gpm max (9.5 L/min) at 80 psi

STANDARDS

- Designed and manufactured to comply with the requirements of: CSA B125 and ASME A112.18.1M and all requirements referenced therein

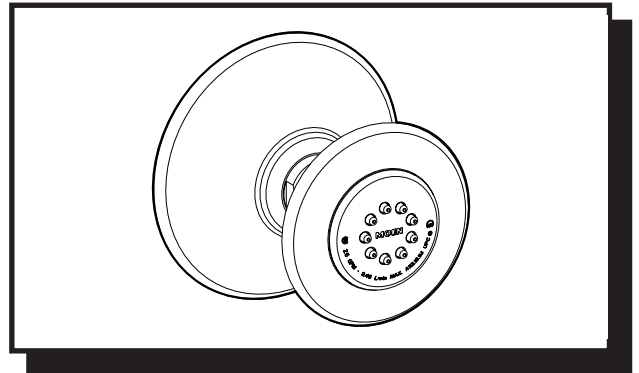
WARRANTY

- Warranted for one year against material or manufacturing defects



Small Single Function Body Spray

Models: A499, A499P, A499W, A499PM, A499ST, A499BP, A499CG, A499NL

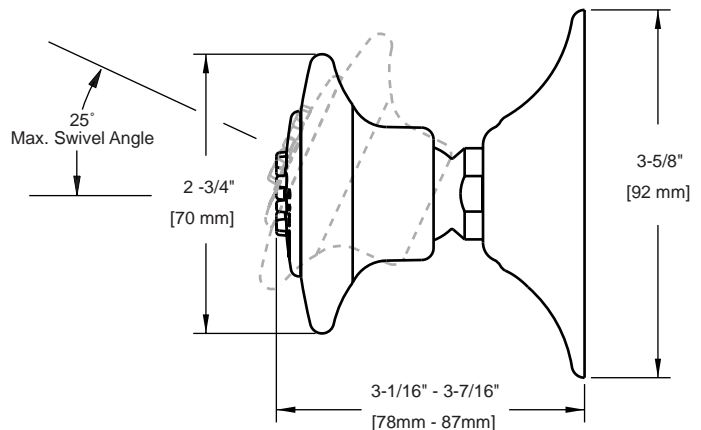
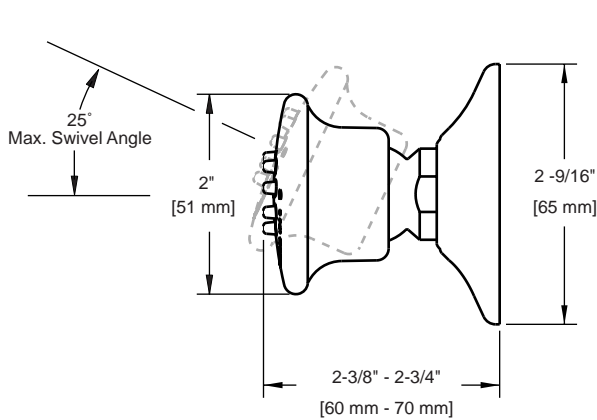


Large Single Function Body Spray

Models: A500, A500P, A500W, A500PM, A500ST, A500BP, A500CG, A500NL

A499 Series

A500 Series

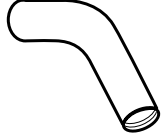

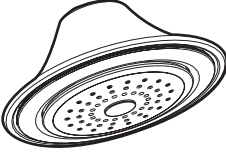


CRITICAL DIMENSIONS

(DO NOT SCALE)

Available Finishes

Part Finishes Chart

| | |
|--|--|
| <p>Shower Arm</p>  | <p>10154 Chrome 10154P Polished Brass 10154PM Platinum 10154BP Black Opal 10154CG Classic Gold 10154ST Satine 10154W Glacier 10154NL Nickel</p> |
| <p>Accent Kit</p>  | <p>AT2199 Chrome AT2199P Polished Brass AT2199PM Platinum AT2199BP Black Opal AT2199CG Classic Gold AT2199ST Satine AT2199W Glacier AT2199NL Nickel</p> |
| <p>Showerhead</p>  | <p>104239 Chrome 104239CP Chrome/Polished Brass 104239CPM Chrome/Platinum 104239NLBL Nickel/Matte Black 104239CGPC Classic Gold/Pebbled Cream 104239STV Satine/Ivory</p> |

DESCRIPTION

- Handheld shower (non-metallic)
- 69" double interlock spiral hose (metal)
- Vacuum breaker
- 30" slide bar with push button height selection
- Available in Chrome, Chrome/LifeShine® Pol. Brass, Glacier, LifeShine® Polished Brass, Platinum, Satine™, Black Opal™, Classic Gold, or Nickel finishes

OPERATION

- 3-Function massage, fine and full: rotate outer ring to select

FLOW

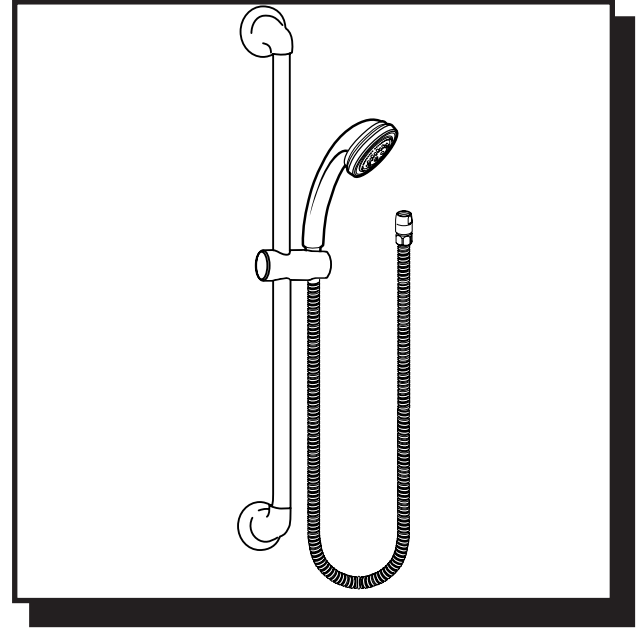
- Designed to deliver 2.5 gpm (9.5 L/min) at 60 psi

STANDARDS

- Designed and manufactured to comply with the applicable requirements of: CSA B-125 and ASME A112.18.1M and ASSE 1014 and all applicable specifications referenced therein

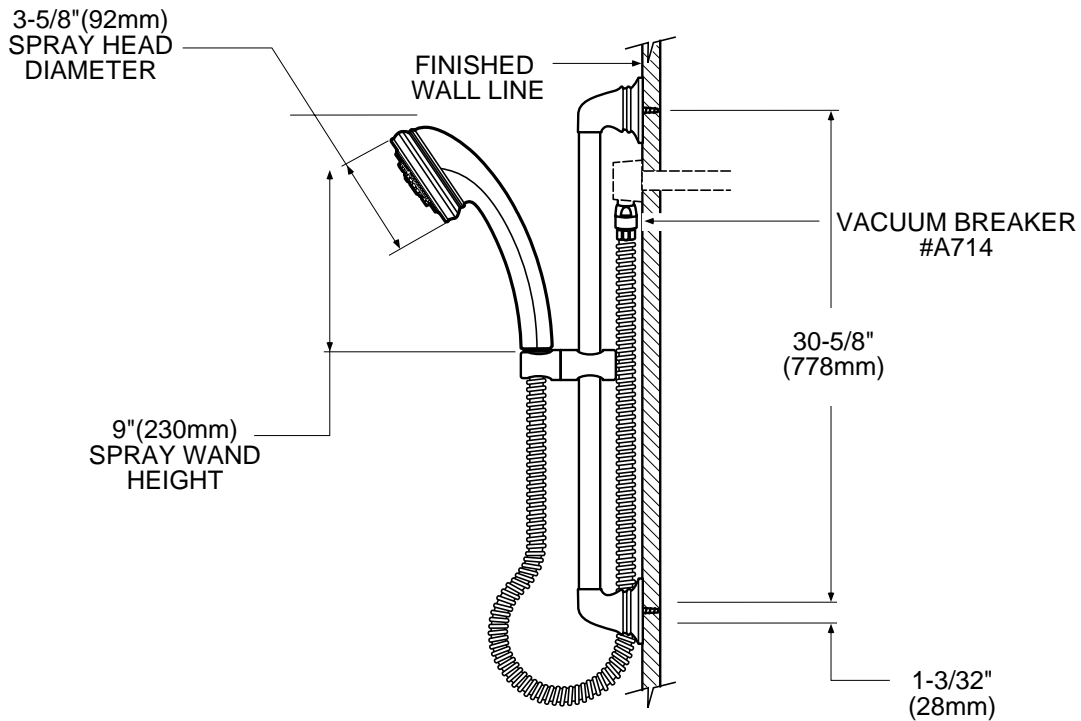
WARRANTY

- Warranted for one year against material or manufacturing defects



3-Function Massaging Handshower

Models: 3847, 3847CP, 3847W, 3847P,
3847PM, 3847ST, 3847BP,
3847CG, 3847NL



CRITICAL DIMENSIONS

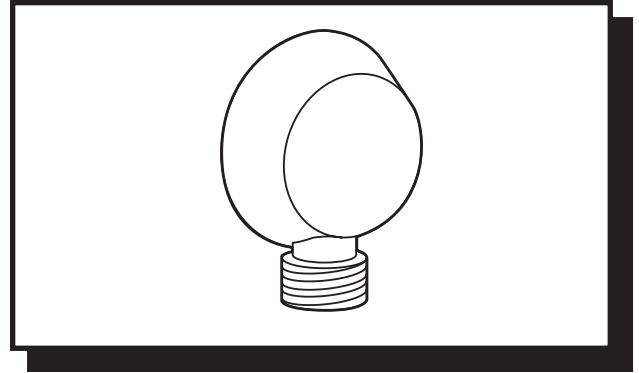
(DO NOT SCALE)

DESCRIPTION

- Metal construction with a chrome plated, polished brass, or glacier finish

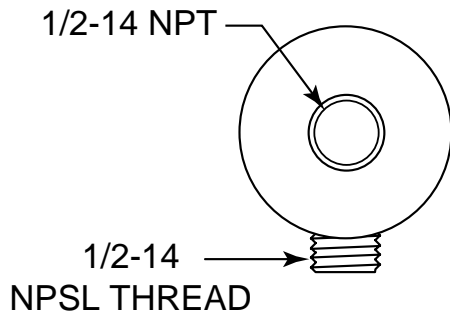
WARRANTY

- Warranted for one year against material or manufacturing defects

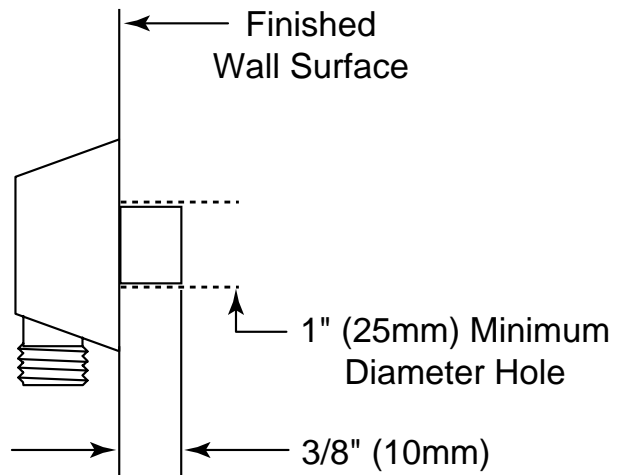


DROP ELL

Model A-725, A-725P and A-725W



BACK VIEW



SIDE VIEW

CRITICAL DIMENSIONS

(DO NOT SCALE)