

## DESCRIPTION

- Metal construction with a chrome plated, LifeShine® polished brass, Platinum, Black Opal™, Classic Gold, or Satine™ finish
- Pressure balancing cycle valve
- 1/2" CC or IPS connections

## OPERATION

- Flow handle (lever) operates counterclockwise through a 180° arc with off at 6 o'clock and maximum flow at the 12 o'clock position. Shut off in clockwise direction
- Temperature handle (knob) operates through a 340° arc with maximum cold at full clockwise rotation (corresponding to the numeral 1) and maximum hot at full counterclockwise rotation (corresponding to the numeral 9)
- Thermostatic pressure balancing mechanism maintains selected discharge temperature to ± 3°F
- Factory established temperature range from 85°F (29°C) to 115°F (46°C)

## FLOW

- Showerhead is limited to 2.5 gpm (9.5 L/min)

## CARTRIDGE

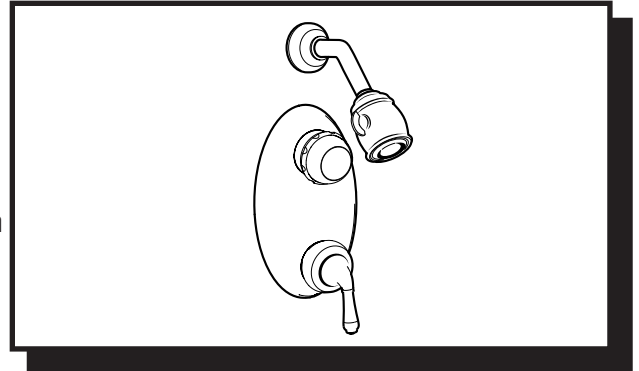
- Thermostatic pressure balancing cartridge design with nonmetallic/nonferrous materials
- 1248 cartridge design with nonmetallic/nonferrous and stainless steel materials

## STANDARDS

- Third party certified by CSA to meet CSA B-125, ASME A112.18.1M and all applicable requirements referenced therein including ASSE 1016

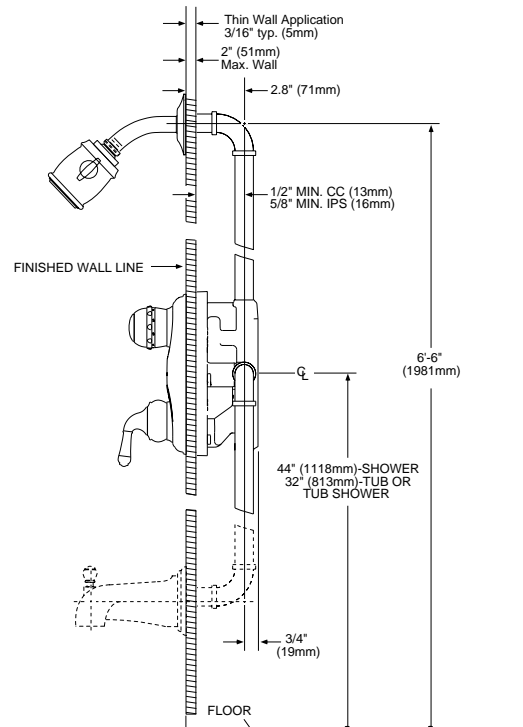
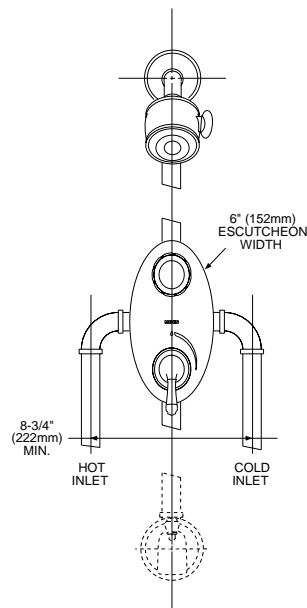
## WARRANTY

- Lifetime limited warranty against leaks, drips and finish defects to the original consumer purchaser
- 5 year warranty if used in commercial installations



### MONTICELLO® INSPIRATIONS™ ExactTemp™ Shower (Trim Only)

Models: RT3330, RT3330P, RT3330BP,  
RT3330PM, RT3330CG, RT3330ST  
Valves: 3301 (CC), 3321 (IPS)



## CRITICAL DIMENSIONS

(DO NOT SCALE)

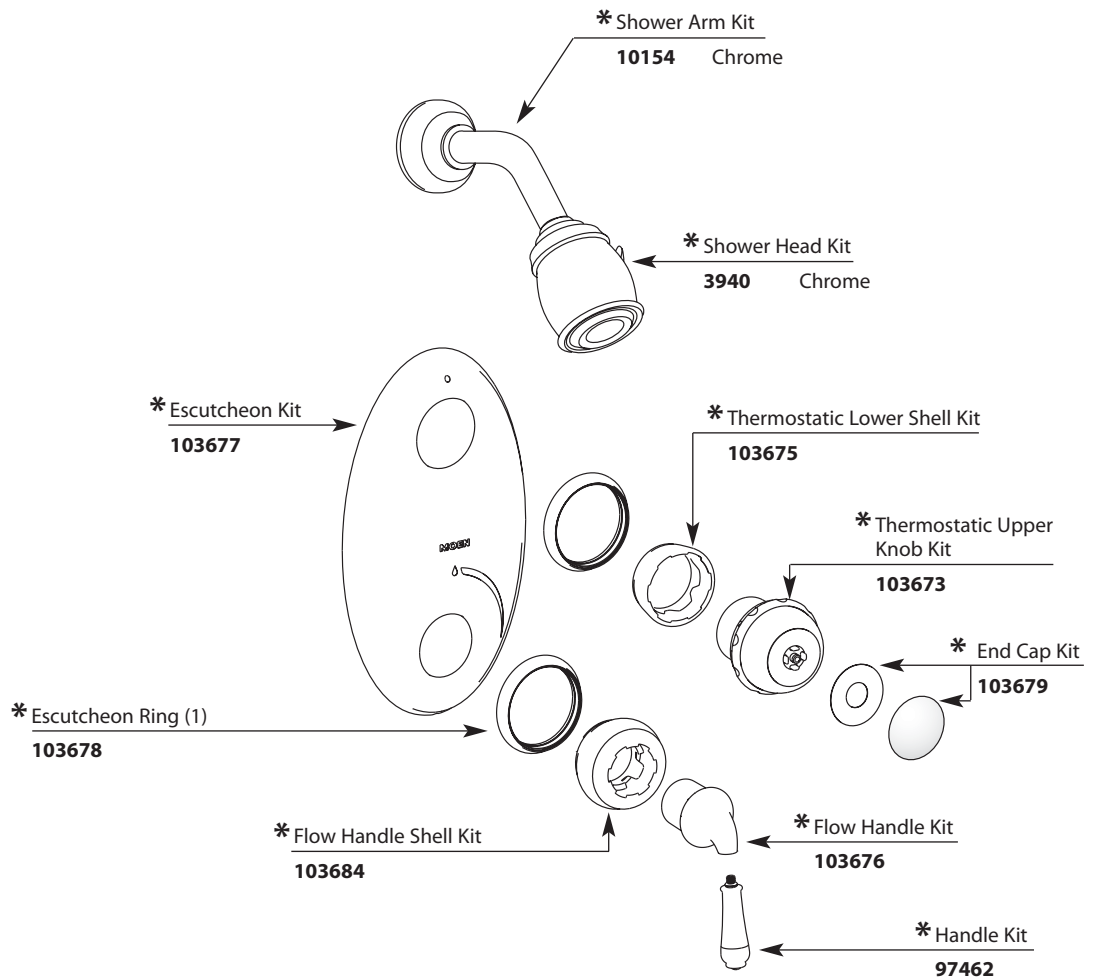
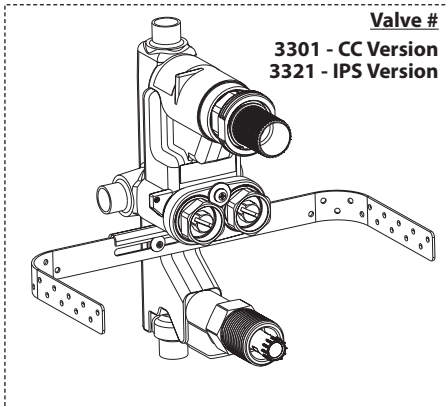
■ Order by Part Name and Part Number (Bold Face Type)

\* See Chart on Next Page for Other Available Finishes

## MONTICELLO® INSPIRATIONS™ ExactTemp™ Tub/Shower (Trim Only)



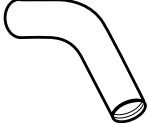
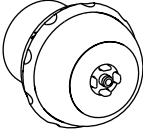


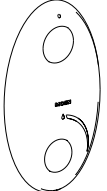
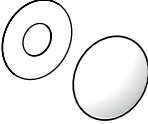



Shower Only		MODEL
MODEL	FINISH	DISCONTINUED SKUS
RT3330	Chrome	RT3310
RT3330P	Polished Brass	RT3310BP
RT3330PM	Platinum	RT3310CG
RT3330ST	Satine™	RT3310P
		RT3310PM
		RT3310ST
		RT3330BP
		RT3330CG
		RT3360
		RT3360BP
		RT3360CG
		RT3360P
		RT3360PM
		RT3360ST

See Tub/Shower Trim/Valves Section for ordering valve parts.



## Available Finishes

### \* Part Finishes Chart

<p><b>Lower Shell Kit</b></p> 	<p>103675 Chrome 103675P Polished Brass 103675PM Platinum 103675ST Satine 103675BP Black Opal 103675CG Classic Gold</p>	<p><b>Handle Kit</b></p> 	<p>97462 Chrome 97463 Polished Brass 97462PM Platinum 97462ST Satine 97462BP Black Opal 97462CG Classic Gold</p>	<p><b>Shower Arm Kit</b></p> 	<p>10154 Chrome 10154P Polished Brass 10154PM Platinum 10154ST Satine 10154BP Black Opal 10154CG Classic Gold</p>
<p><b>Upper Knob Kit</b></p> 	<p>103673 Chrome 103673P Polished Brass 103673PM Platinum 103673ST Satine 103673BP Black Opal 103673CG Classic Gold</p>	<p><b>Flow Handle Shell Kit</b></p> 	<p>103684 Chrome 103684P Polished Brass 103684PM Platinum 103684ST Satine 103684BP Black Opal 103684CG Classic Gold</p>	<p><b>Shower Arm Flange</b></p> 	<p>AT2199 Chrome AT2199P Polished Brass AT2199PM Platinum AT2199ST Satine AT2199BP Black Opal AT2199CG Classic Gold</p>
<p><b>Escutcheon Kit</b></p> 	<p>103677 Chrome 103677P Polished Brass 103677PM Platinum 103677ST Satine 103677BP Black Opal 103677CG Classic Gold</p>	<p><b>End Cap Kit</b></p> 	<p>103679 Chrome 103679P Polished Brass 103679PM Platinum 103679ST Satine 103679BP Black Opal 103679CG Classic Gold</p>		
<p><b>Escutcheon Ring</b></p> 	<p>103678 Chrome 103678P Polished Brass 103678PM Platinum 103678ST Satine 103678BP Black Opal 103678CG Classic Gold</p>	<p><b>Flow Handle Kit</b></p> 	<p>103676 Chrome 103676P Polished Brass 103676PM Platinum 103676ST Satine 103676BP Black Opal 103676CG Classic Gold</p>		
		<p><b>Showerhead</b></p> 	<p>3940 Chrome 3940P Polished Brass 3940PM Platinum 3940ST Satine 3940BP Black Opal 3940CG Classic Gold</p>		

**DESCRIPTION**

- Metal construction with a chrome plated, LifeShine® Polished Brass, Satine™, Classic Gold™, Black Opal, Satine® or Platinum finish

**OPERATION**

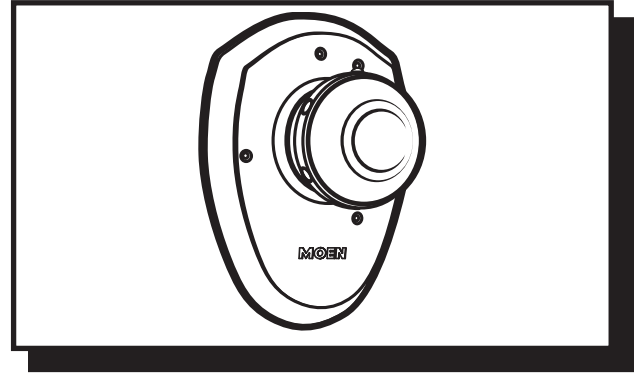
- Knob style handle operation
- Ceramic disk cartridge
- 4 discrete and 1 shared function

**STANDARDS**

- Third party certified by CSA to meet CSA B-125, ASME A112.18.1M and all applicable requirements referenced therein

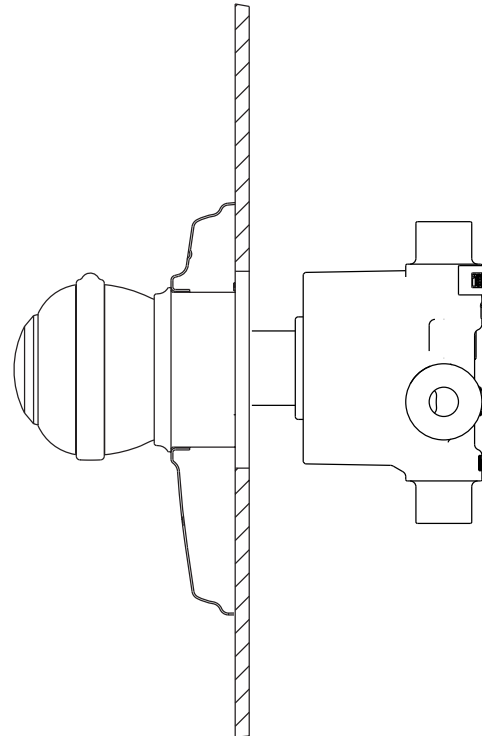
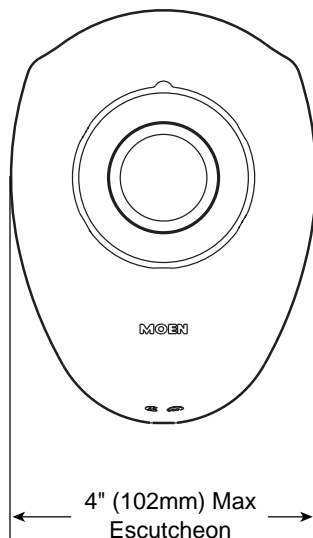
**WARRANTY**

- Lifetime limited warranty against leaks, drips and finish defects to the original consumer purchaser
- 5 year warranty if used in commercial installations



**MONTICELLO®**  
**5-Function Transfer Valve Trim**

**Models: RT4150, RT4150BP, RT4150P,  
RT4150PM, RT4150ST, RT4150CG**

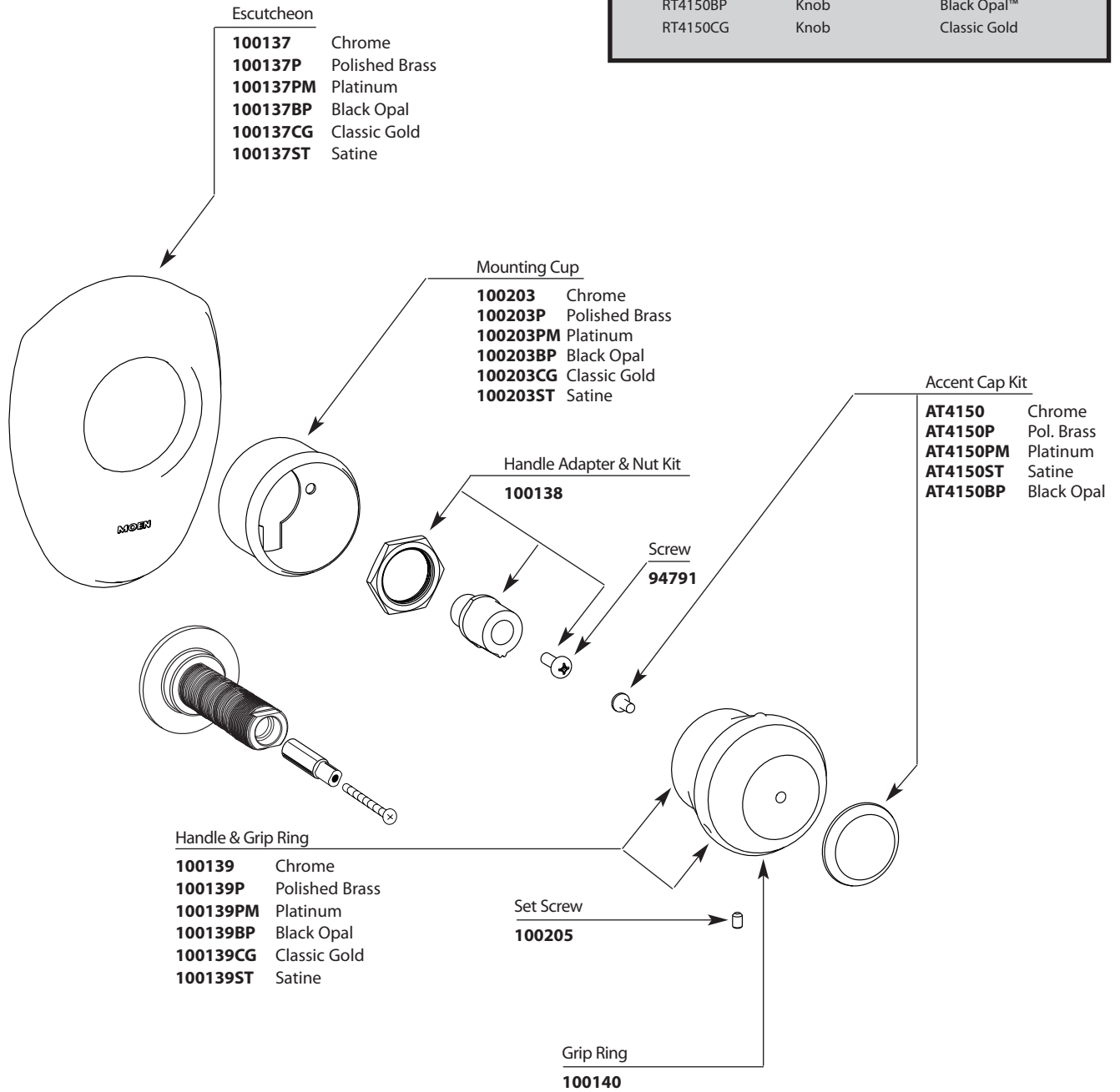


**CRITICAL DIMENSIONS**

(DO NOT SCALE)

- Order by Part Name and Part Number (Bold Face Type)

MONTICELLO® 5-Function Transfer Valve Trim		
MODEL	HANDLE TYPE	FINISH
RT4150	Knob	Chrome
RT4150P	Knob	Polished Brass
RT4150PM	Knob	Platinum
RT4150ST	Knob	Satine™
DISCONTINUED SKUS		
RT4150BP	Knob	Black Opal™
RT4150CG	Knob	Classic Gold



## DESCRIPTION

- Metallic spray face and shell
- Brass swivel ball assembly
- Available in chrome plated, LifeShine® Polished Brass, Satine™, Black Opal, Classic Gold™, Nickel, Platinum or Glacier finish

## OPERATION

- Single spray function

## FLOW

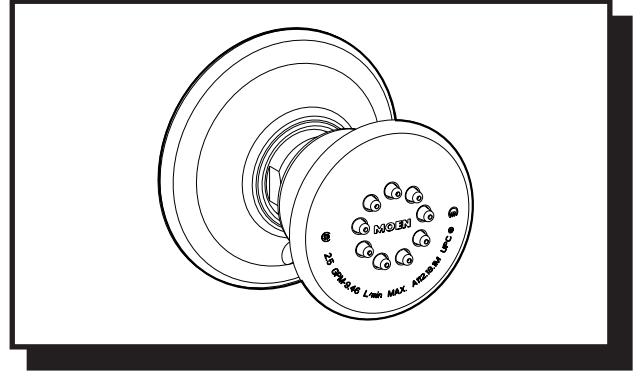
- Designed to deliver 2.5 gpm max (9.5 L/min) at 80 psi

## STANDARDS

- Designed and manufactured to comply with the requirements of: CSA B125 and ASME A112.18.1M and all requirements referenced therein

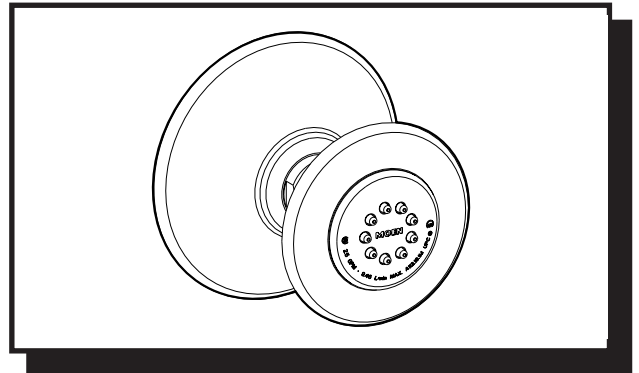
## WARRANTY

- Warranted for one year against material or manufacturing defects



**Small Single Function Body Spray**

Models: A499, A499P, A499W, A499PM, A499ST, A499BP, A499CG, A499NL

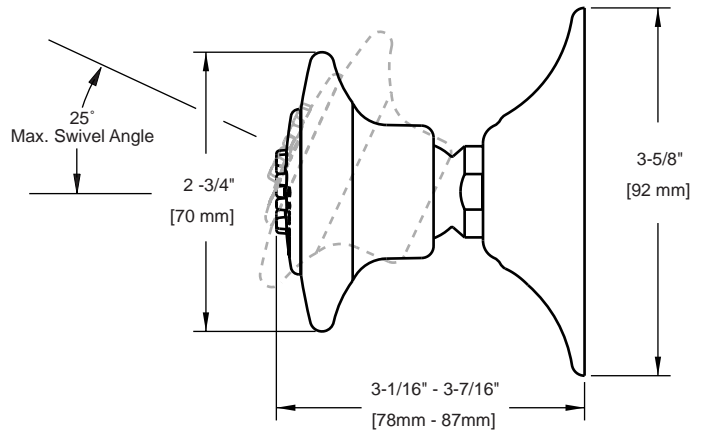
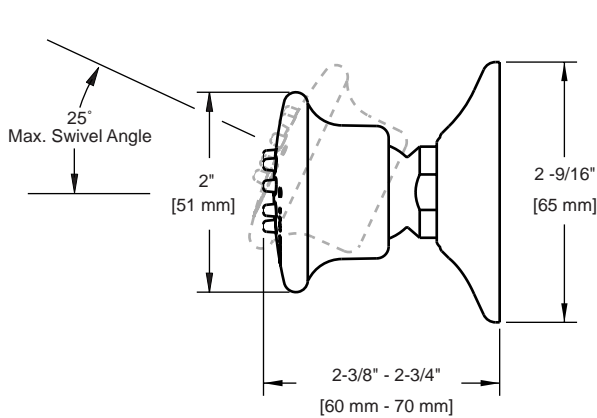


**Large Single Function Body Spray**

Models: A500, A500P, A500W, A500PM, A500ST, A500BP, A500CG, A500NL

A499 Series

A500 Series



## CRITICAL DIMENSIONS

(DO NOT SCALE)

**DESCRIPTION**

- Metal construction with Chrome plating or decorative antique brass, chrome/LifeShine® polished brass, LifeShine® polished brass or glacier finishes
- Fixed mount shower head, arm and flange
- Nonmetallic spray face
- Brass shell and ball assembly

**OPERATION**

- Adjustable spray - rotate side lever to select coarse to fine spray

**FLOW**

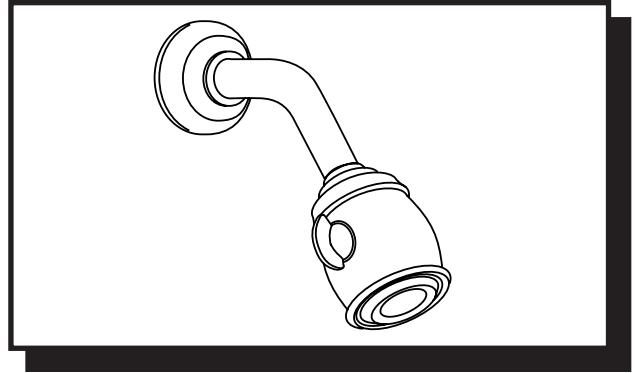
- Designed to deliver 2.5 gpm (9.5 L/min) max at 60 psi

**STANDARDS**

- Designed and manufactured to comply with the requirements of: CSA B125 and ASME A112.18.1M and all requirements referenced therein

**WARRANTY**

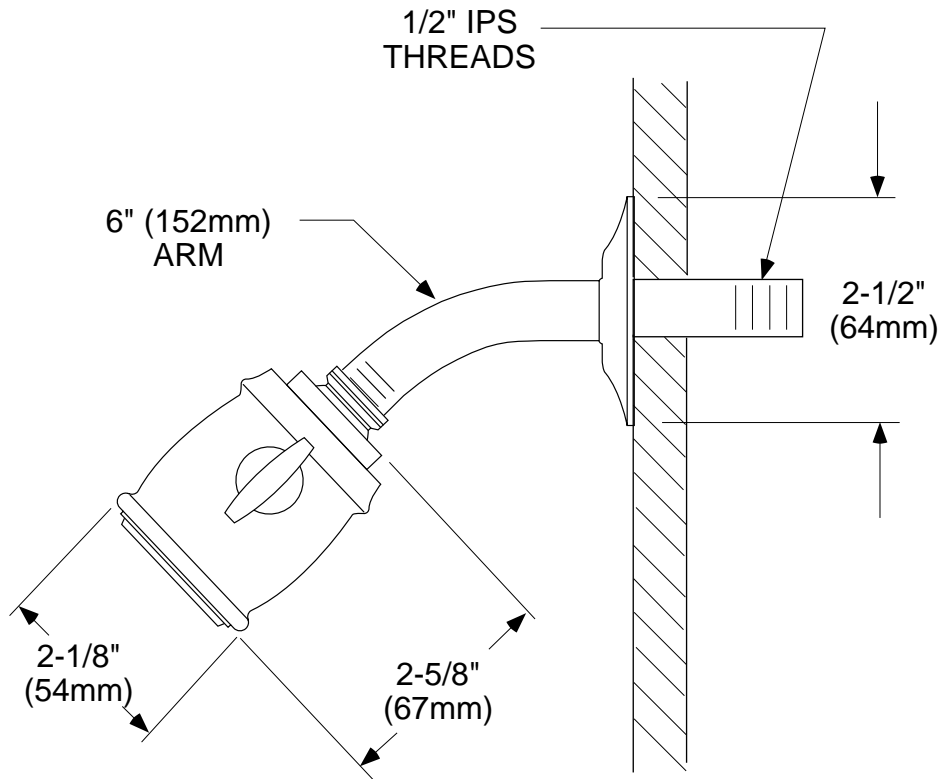
- Lifetime limited warranty against leaks, drips and finish defects to the original consumer purchaser
- 5 year warranty if used in commercial installations



**MOENFLO® 40**  
**Head, Arm and Flange**

**Models: 3941, 3941A, 3941CP, 3941P,  
\*3941S, 3941W**

**\* Discontinued 5/31/02**



**CRITICAL DIMENSIONS**

(DO NOT SCALE)

## DESCRIPTION

- Handheld shower (non-metallic)
- 69" double interlock spiral hose (metal)
- Vacuum breaker
- 30" slide bar with push button height selection
- Available in Chrome, Chrome/LifeShine® Pol. Brass, Glacier, LifeShine® Polished Brass, Platinum, Satine™, Black Opal™, Classic Gold, or Nickel finishes

## OPERATION

- 3-Function massage, fine and full: rotate outer ring to select

## FLOW

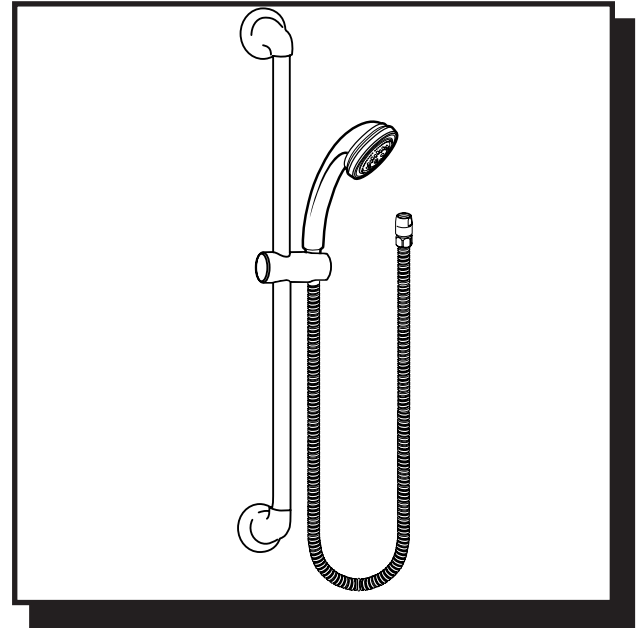
- Designed to deliver 2.5 gpm (9.5 L/min) at 60 psi

## STANDARDS

- Designed and manufactured to comply with the applicable requirements of: CSA B-125 and ASME A112.18.1M and ASSE 1014 and all applicable specifications referenced therein

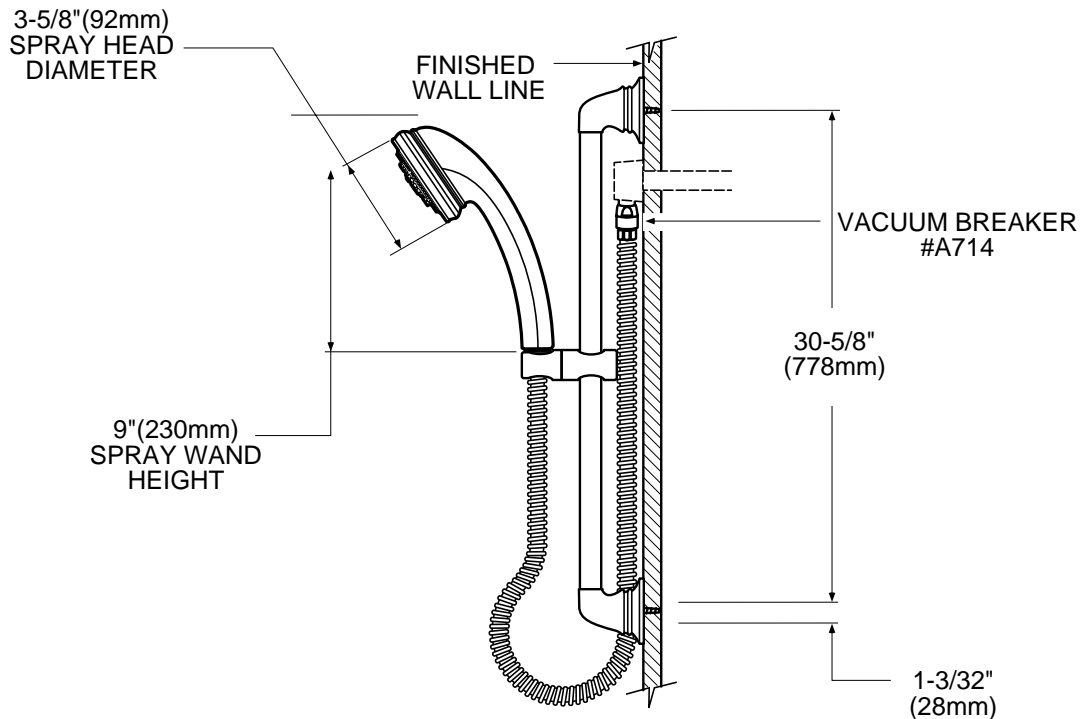
## WARRANTY

- Warranted for one year against material or manufacturing defects



## 3-Function Massaging Handshower

Models: 3847, 3847CP, 3847W, 3847P,  
3847PM, 3847ST, 3847BP,  
3847CG, 3847NL



## CRITICAL DIMENSIONS

(DO NOT SCALE)

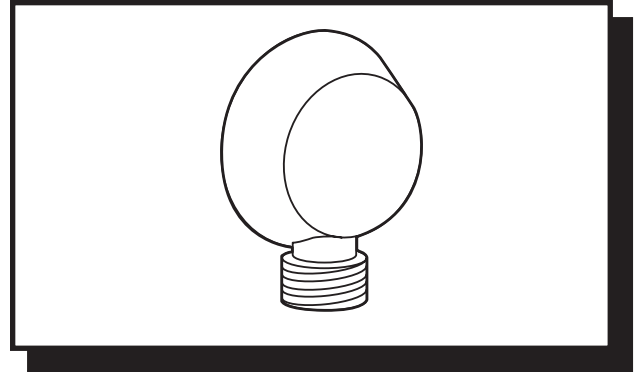


## DESCRIPTION

- Metal construction with a chrome plated, polished brass, or glacier finish

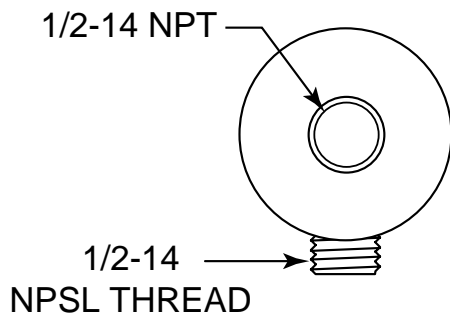
## WARRANTY

- Warranted for one year against material or manufacturing defects

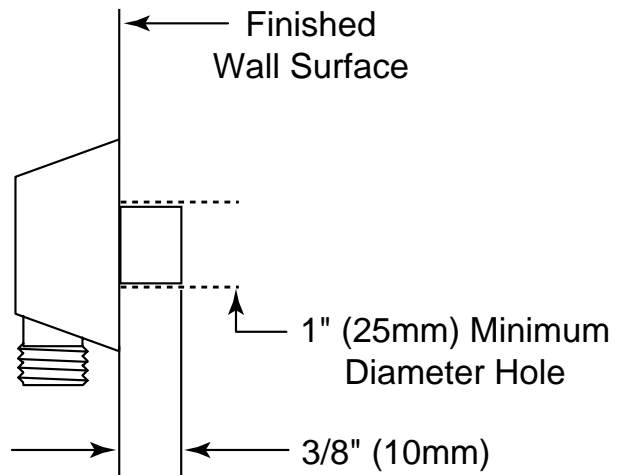


**DROP ELL**

Model A-725, A-725P and A-725W



BACK VIEW



SIDE VIEW

## CRITICAL DIMENSIONS

(DO NOT SCALE)