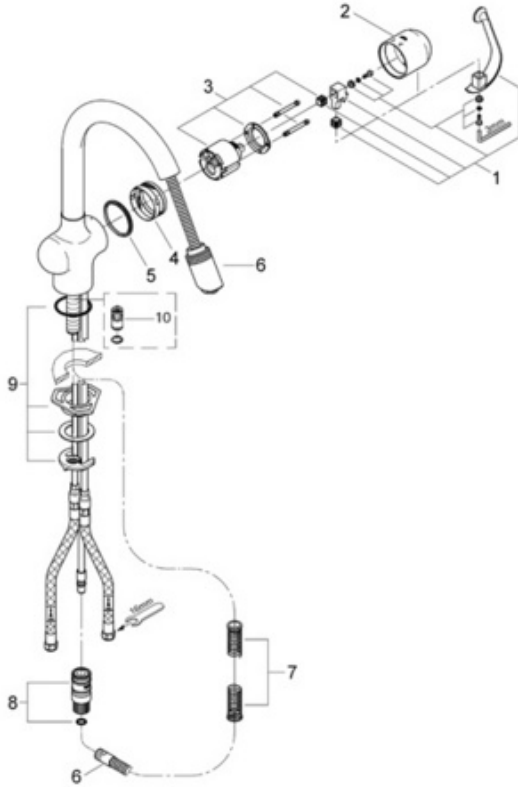


**Exploded View**



**Parts Breakdown**

Pos No.	Spare Part Description	Product No.	Pcs.
	<b>33 765</b>		
1	Lever handle	46 309	1
2	Cap	46 311	1
3	Ceramic cartridge	46 048	1
4	Guide ring	05 380	1
5	Slip ring	04 954	1
6	Hose & head	46 348	1
7	Pressure spring	07 240	1
8	Quick coupling	46 315	1
9	Mounting kit	46 345	1
10	Vacuum breaker	46 137	1
	(for models prior to 2006)		
	<b>Special Accessories</b>		
	10" Euro escutcheon	07 552	1