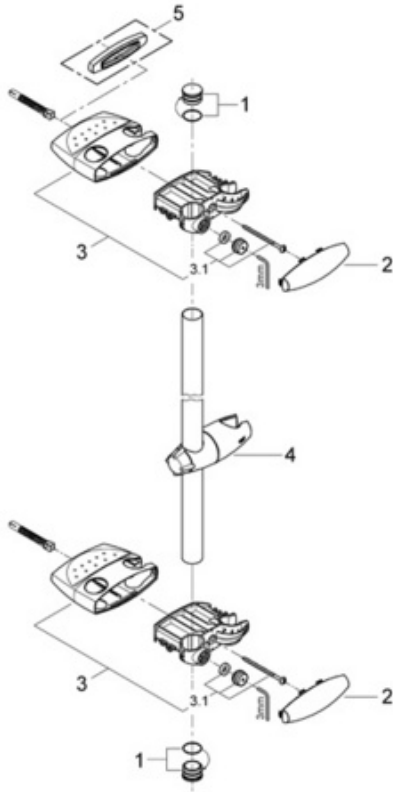


**Exploded View**



**Parts Breakdown**

Pos No.	Spare Part Description	Product No.	Pcs.
	<b>28 723</b>		
1	End caps	45 922	1
2	Bracket cover	11 482	1
3	Wall bracket	45 923	1
3.1	Adjusting nut	45 924	1
4	Hand shower holder	12 353	1
	<b>Special Accessories</b>		
	Tray	28 549	1
	Compensation disc	28 407	1