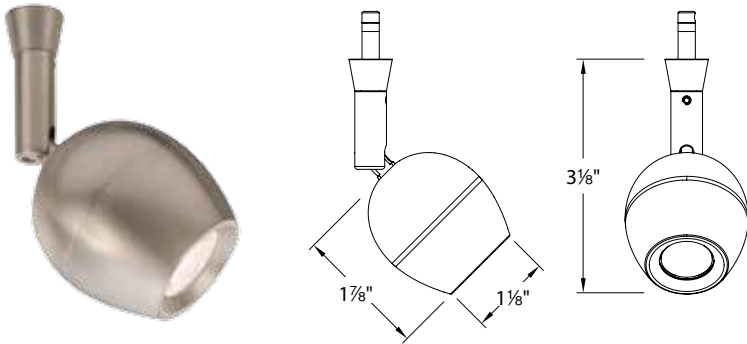


OVUM – model: QF-LED101-W

LEDme® Quick Connect™ Fixture

WAC LIGHTING

Responsible Lighting®



Fixture Type:

Catalog Number:

Project:

Location:

PRODUCT DESCRIPTION

The sleek curved form of the Ovum is contemporary and slightly whimsical, ideal for various residential and architectural applications where creative design and functionality are of equal importance.

FEATURES

- Compatible with all Quick Connect™ rail and track systems when using the proper adapter (see adapter chart on next page)
- Use on all Quick Connect™ Canopies (see canopy options on next page)
- Available in flood and wide angle beam spreads
- 360° horizontal rotation and 90° vertical aiming
- Free of projected heat, UV and IR radiation
- 80,000 hour rated life
- 5 year WAC Lighting product warranty

SPECIFICATIONS

Construction: Machined aluminum body.

Finish: Available in Dark Bronze (DB) and White (WT) powder coat paint finishes and electroplated Brushed Nickel (BN) finishes.

Input: 12V AC/DC, built-in low voltage rectifier.

Light Source: 1 × 3W, 3000K warm white Cree LED.
Total power consumption varies depending on system.

Dimming: Dim to 10% depending on system power supply.
Use ELV (electronic low voltage) dimmer with electronic transformer.
Use magnetic low voltage dimmer with magnetic transformer.

Standards: UL & CUL Listed.

FIXTURE PERFORMANCE

Color Temp	Input	Watt	Lumens	Efficacy	CBCP		CRI
					25°	40°	
3000K	12V	3W*	110	36 Lm/W*	1536	699	85

*Power consumption may vary depending on the efficiency of the system being used, LED may be retrofit to existing 12V systems.

APPLICATION PERFORMANCE

Dist.	0° Aiming Angle (ceiling to floor) QF-LED101-W-F			45° Aiming Angle (ceiling to wall) QF-LED101-W-F		
	FC	L	W	FC	L	W
3 ft	171	0.6	0.6	78	0.9	0.9
6 ft	42	1.3	1.3	19	1.9	1.9
9 ft	19	1.9	1.9	9	2.8	2.8
12 ft	11	2.5	2.5	5	3.8	3.8

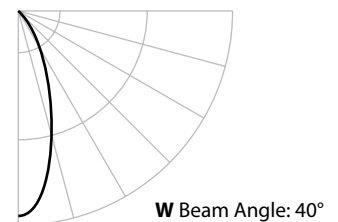
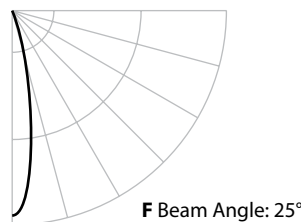
FC- Initial footcandle level at the center of the beam

L- Beam length at the point the candlepower drops off to 50% of maximum*

W- Beam width at the point the candlepower drops off to 50% of maximum*

*Measured in feet

PHOTOMETRY




ORDER NUMBER

Model #	Beam Angle	Finish
QF-LED101-W	F 25°	BN Brushed Nickel
	W 40°	DB Dark Bronze
		WT White

FINISHES



FIXTURE EXTENSIONS (ORDER SEPARATELY)

	Q-X18 18" Q-X24 24" Q-X36 36" Q-X48 48"	BN Brushed Nickel DB Dark Bronze
---	--	---

QF-LED101-W - -

Example: **QF-LED101-W-F-BN**

WAC Lighting

www.waclighting.com

Phone (800) 526.2588 • Fax (800) 526.2585

Headquarters/Eastern Distribution Center

44 Harbor Park Drive • Port Washington, NY 11050

Phone (516) 515.5000 • Fax (516) 515.5050

Western Distribution Center

1750 Archibald Avenue • Ontario, CA 91760

Phone (800) 526.2588 • Fax (800) 526.2585







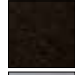


OVUM – model: QF-LED101-W

Quick Connect™ Adapters and Canopies

WAC LIGHTING


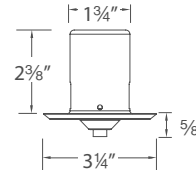
Responsible Lighting®

Quick Connect™ Adapters for Track and Rail systems





Rail	System	Model #	Finish	120V Track	Model #	Finish	FINISHES		
	Solorail™	LM-QADP	BN DB		L Track	EN-LQ50AR	BK BN WT	BN Brushed Nickel	
	Duorail™	LM2-QADP	BN DB		H Track	EN-HQ50AR	BK BN DB WT	BK Black	
	Flexrail™	HM-EN50	DB PT		J/J2 Track	EN-JQ50AR	BK BN WT	DB Dark Bronze	
								PT Platinum	
								WT White	


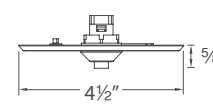

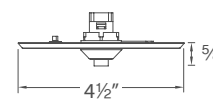
Monopoint Canopies (Remote Transformers Required)



- Order remote transformer separately
- No visible hardware

		Model	Finish
Miniature Round Canopy with Wiring Compartment		 Dimensions: 1 3/4" diameter, 2 3/8" height, 3 1/4" base diameter, 5/8" mounting height.	QMP-MI-TR
			BN Brushed Nickel CH Chrome DB Dark Bronze

- The recessed "housing" is a wiring compartment with a knock-out that accepts trade size connectors
- The housing is installed in the cutout hole first then the faceplate is attached

	Model	Input	Output	Min Load	L	W	H		
Class 2 Enclosed Electronic Transformers	 	EN-1260-RB2	120V	12V, 60W	1W	6 1/2"	1 5/8"	1 1/4"	Fits through small openings
	 	EN-12120-RB2	120V	12V, 2 x 60W	1W	6"	3 1/4"	2 5/8"	Includes LED indicator lights and integral push in terminals
		EN-12180-RB2	120V	12V, 3 x 60W	1W	6 3/4"	3 5/8"	2 5/8"	
	EN-12300-RB2	120V	12V, 5 x 60W	1W	8 1/2"	4 5/8"	2 5/8"		

Round Canopy for Junction Box		 Dimensions: 4 1/2" diameter, 5/8" height.	QMP-1RN-TR	BN Brushed Nickel CH Chrome DB Dark Bronze WT White
Square Canopy For Junction Box		 Dimensions: 4 1/2" side length, 5/8" height.	QMP-1SQ-TR	BN Brushed Nickel CH Chrome DB Dark Bronze

	Model	Input	Output	Min Load	L	W	H		
Class 2 Non-Enclosed Electronic Transformer	 	EN-1260-R2	120V 50/60Hz	12V, 60W	1W	2 3/8"	1 3/8"	1"	All Connections must be made in an enclosure for proper installations

WAC Lighting
www.waclighting.com
Phone (800) 526.2588 • Fax (800) 526.2585

Headquarters/Eastern Distribution Center
44 Harbor Park Drive • Port Washington, NY 11050
Phone (516) 515.5000 • Fax (516) 515.5050

Western Distribution Center
1750 Archibald Avenue • Ontario, CA 91760
Phone (800) 526.2588 • Fax (800) 526.2585

OVUM – model: QF-LED101-W


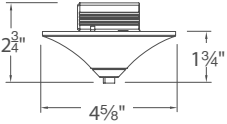
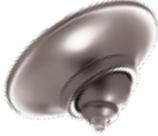
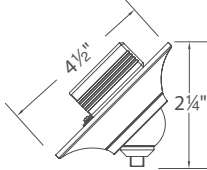
Quick Connect™ Adapters and Canopies

WAC LIGHTING

Responsible Lighting®

Monopoint Canopies (Integral Transformers)

- 1W minimum load
- 60W Integral electronic transformer
- Smooth and continuous ELV dimming
- For use with a 4" junction box; includes optional collar for shallow junction box


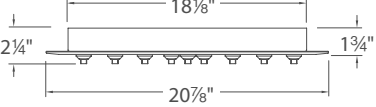

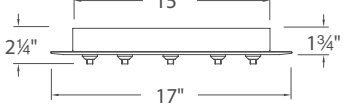

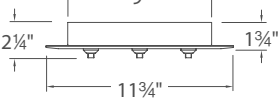

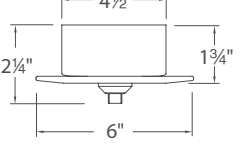

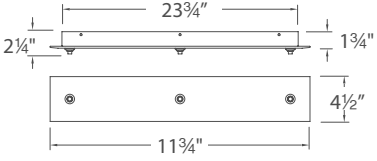
			Model	Finish
Adapter Canopy			QMP-60ERN	BN <i>Brushed Nickel</i> CH <i>Chrome</i> DB <i>Dark Bronze</i>
Sloped Ceiling Canopy			QMP-S60ERN	BN <i>Brushed Nickel</i> CH <i>Chrome</i> DB <i>Dark Bronze</i>

- Swivels up to 45° in either direction and will accept all WAC Lighting Quick Connect™ pendants and fixtures

Example: **QMP-60ERN-BN**

Mirror Glass Multipoint Canopies (Integral Transformers)

- 1W minimum load
- 60W Integral electronic transformer for each drop
- Smooth and continuous ELV dimming

			Model	Finish
12-Point Mirrored Canopy Round			QMP-G12RN	MR <i>Mirror</i>
6-Point Mirrored Canopy Round			QMP-G6RN	
3-Point Mirrored Canopy Round			QMP-G3RN	
1-Point Mirrored Canopy Round			QMP-G1RN	
3-Point Mirrored Canopy Rectangular			QMP-G3RE	

Example: **QMP-G6RN-MR**

WAC Lighting
www.waclighting.com
Phone (800) 526.2588 • Fax (800) 526.2585

Headquarters/Eastern Distribution Center
44 Harbor Park Drive • Port Washington, NY 11050
Phone (516) 515.5000 • Fax (516) 515.5050

Western Distribution Center
1750 Archibald Avenue • Ontario, CA 91760
Phone (800) 526.2588 • Fax (800) 526.2585