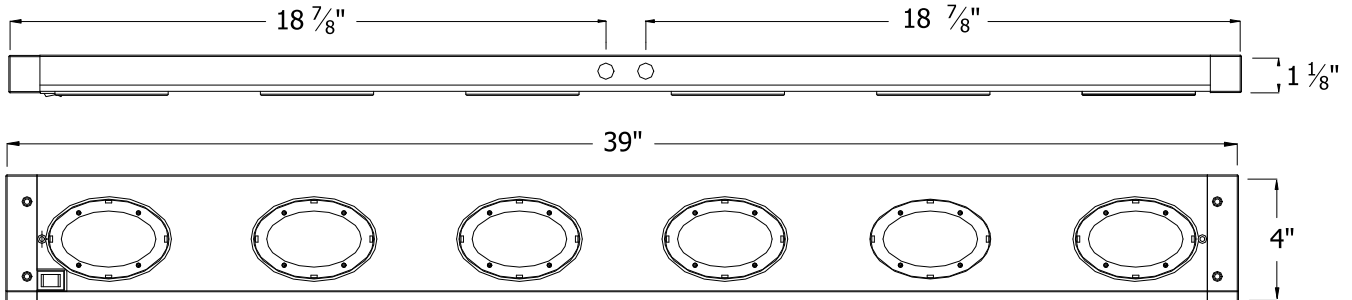


**UNDER CABINET XENON LIGHT BAR**

**MODEL BA-X6**



Ordering Matrix		
Model	Series	Finish
[ ]	[ ]	[ ]
BA	X6	BB SN WT

Ordering Example (*model – series – finish*): BA-X6-SN

Product Details	
<b>Description:</b>	Low voltage xenon undercabinet light bar for use on wood cabinets, desks, shelves and bookcases.
<b>Materials:</b>	Extruded aluminum body with an abrasion resistant powder coat paint finish. Snap-in steel oval lens retention ring(s). Frosted glass lens. High-low-off switch. Mounting hardware.
<b>Transformer:</b>	Integral 120v to 12v electronic transformer.
<b>Connection:</b>	The BA-X can be hardwired or use a six foot cord and plug (sold separately). Knockouts are located on both the backside and on the topside for hardwiring (supplied with one 1/2" BX/non-metallic sheathed cable adaptor). Poke-home style connectors are pre-installed on the interior wiring for installation convenience.
<b>Lamping:</b>	Six xenon 18 watt, 12 volt wedge base lamps included. Re-lamping is accomplished by removing the snap-on lens/retention ring. Taking apart the housing is not required.
<b>Finish:</b>	BB = Bronze SN = Satin Nickel WT = White
<b>Accessories:</b>	BA-IC12/24/36 = Interconnect Cable BA-PC6 = Power Cord w/grounded plug
<b>Listing:</b>	UL & CUL Listed. 5 year W.A.C. Lighting product warranty.

Specification Features
<ul style="list-style-type: none"> <li>The BA-X series features a low profile, 1 1/8", body style.</li> <li>The BA-X series has the option of using snap-in interconnect cords to link fixtures together, or using I-Connectors for installing multiple units in a continuous row. One I-Connector is included with each light bar.</li> <li>The integral electronic transformer features auto reset, soft start and short circuit protection technologies. The soft start delayed lamp start feature extends lamp life.</li> <li>The BA-X can be hard wired to run off a standard wall switch.</li> </ul>