

IMPORTANT SAFETY INSTRUCTIONS

- Be sure the electricity to the system you are working on is turned off; either the fuse removed or the circuit breaker set at off.
- Use of other manufacturers components will void warranty, listing and create a potential safety hazard.
- If you are unclear as to how to proceed, contact a qualified electrician.
- You don't need special tools to install this fixture.
- Be sure to follow the steps in the order given.
- Proper wiring is essential for the safe operation of this fixture/
- Read instructions carefully.
- Save these instructions.

CLEANING

To clean, wipe fixture with a soft cloth. Clean glass with a mild soap. Do not use abrasive materials such as scouring pads or powders, steel wool or abrasive paper.

ORDERING PARTS

Keep this sheet for future reference, and in case you need to order replacement parts. Parts for this fixture can be ordered from place of purchase. Be sure to use exact wording from illustration when ordering parts.

BEFORE YOU BEGIN

Carefully remove the fixture from the carton and check that all parts are included, as shown in Figure 1. Be careful not to misplace any of the screws or parts which are needed to install this fixture.

WARNING: To reduce the risk of fire, electric shock or personal injury, mount to outlet box or supporting system able to support the weight of the fixture.

NOTE: This glass is handcrafted, the slight imperfections in the glass add to the authenticity of the fixture.

NOTE FOR FIXTURES THAT ARE SOLID BRASS:

Your handcrafted, solid brass lighting fixture has been coated with a durable, baked on acrylic lacquer which gives maximum protection against the weather. In time, however, the brightness of the brass will tarnish giving way to an authentic old world brass finish.

NOTE: To keep your solid polished brass fixture looking new for years to come, regularly apply a good quality non-abrasive car wax to all metal surfaces, giving the fixture an extra protective coating.

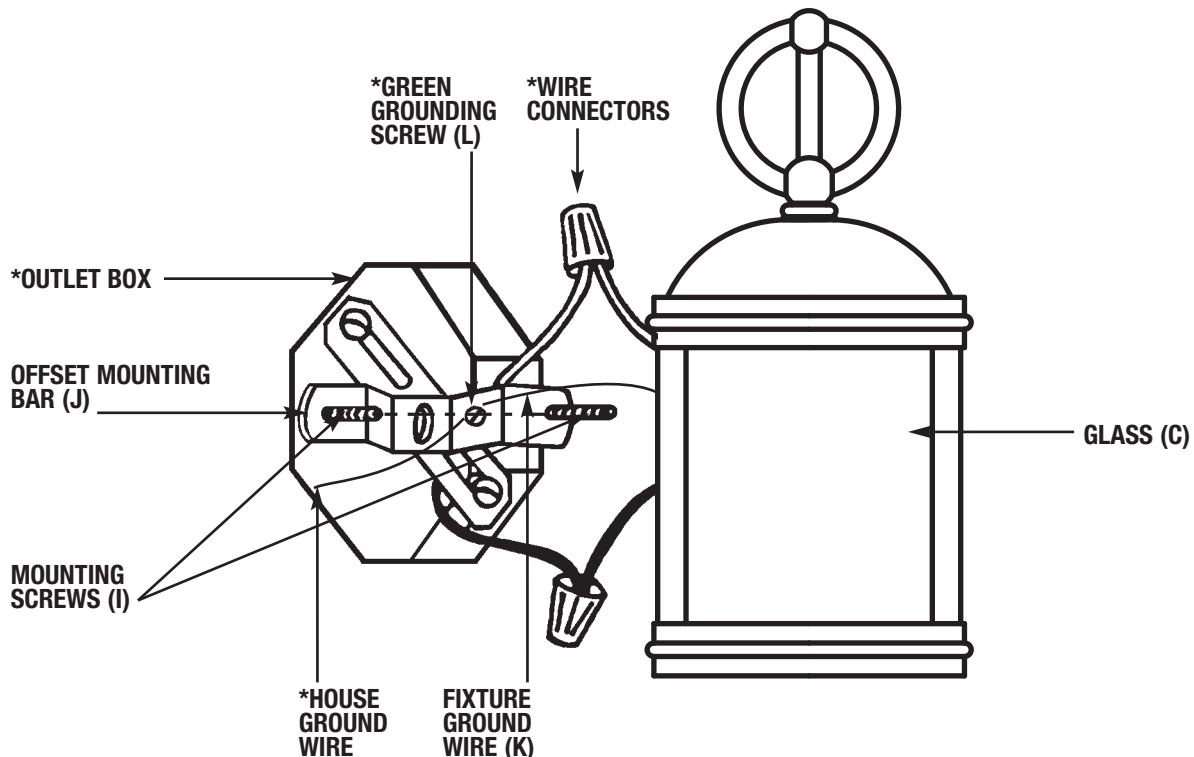


FIGURE 1

*NOT INCLUDED

INSTALLATION

HC-1037

IMPORTANT: DO NOT ATTACH FIXTURE DIRECTLY TO OUTLET BOX.

STEP 1:

Insert fixture mounting screws (I) in threaded holes of offset mounting bar (J). Run fixture mounting screws (I) all the way down to the heads.

STEP 2:

Place offset mounting bar (J) against outlet box (not supplied) and secure in place using outlet box screws (not supplied). Be sure the fixture mounting screws (I) are perfectly horizontal so fixture hangs straight.

STEP 3:

- A.** Use a listed wire connector to connect the fixture hot wire (black wire, or round and smooth tracer) to the supply hot wire.
- B.** Use a listed wire connector to connect the fixture common wire (white wire, or square and rigid) to the supply common wire.
- C.** Gently try to remove the wires from the connector. If you can remove the wires, carefully re-do the wiring connection.

STEP 4:

GROUNDING INSTRUCTIONS: The green grounding screw (L) is to be inserted into the hole with two raised dimples provided on the offset mounting bar (J). Wrap the fixture ground wire (K) and the ground wire from the outlet box (bare metal or green insulated wire) around the green grounding screw (L) on the offset mounting bar (J) and tighten the green grounding screw (L) to secure. **NEVER CONNECT GROUND WIRE TO BLACK OR WHITE POWER SUPPLY WIRES.**

FINAL ASSEMBLY

Make sure no bare wires can be seen outside wire connectors.

NOTE: IF GLASS PANELS ARE NOT INSTALLED, PLEASE FOLLOW THIS STEP: PLACE BOTTOM EDGE OF GLASS INTO CHANNEL. BEND TABS OVER EDGE TO SECURE IN PLACE.

STEP 1:

After wires are connected, tuck them carefully inside the outlet box. Position backplate over mounting screws (I) and secure in place by threading cap nuts onto mounting screws (I).

STEP 2:

Install lamps (not supplied).