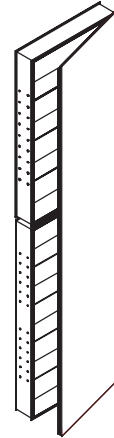


Features

- Recess or surface mount
- Mirrored doors and interior, matte silver interior
- 3-way adjustable concealed hinge system
- SAFESEAL® gasket frame
- Patented swing-out magnifying mirror
- Rust-free aluminum construction
- Left or right hinge door available
- Seven adjustable glass shelves
- 19-1/4" (48.9 cm) W x 69-3/8" (176.2 cm) H x 4-5/8" (11.7 cm) D

MF20D4FBR

ALSO MF20D4FBL, MF20D4FPR,
MF20D4FPL



Codes/Standards Applicable

Specified model meets or exceeds the following:

- None applicable

Specified Model

Model	Description	
MF20D4FBR	Beveled edge, right-hand	<input type="checkbox"/>
MF20D4FBL	Beveled edge, left-hand	<input type="checkbox"/>
MF20D4FPR	Plain edge, right-hand	<input type="checkbox"/>
MF20D4FPL	Plain edge, left-hand	<input type="checkbox"/>
NOTE: Hardware required for installing cabinets side-by-side is included.		

Required Accessories - For Surface Mount Installations Only

MFSK70D4B	Beveled mirror side kit - surface mount	<input type="checkbox"/>
MFSK70D4P	Plain mirror side kit - surface mount	<input type="checkbox"/>
Refer to the Price Guide for additional side kit colors and finishes.		

Required Accessories - For Ganging Multiple Cabinets Only

MHANDLEKIT	Chrome handle - required when ganging MF cabinets or	<input type="checkbox"/>
MPUSHKIT	Push-to-open mechanism - required when ganging MF cabinets	<input type="checkbox"/>
MSFMF	Stack filler - required when ganging surface-mounted MF with MT cabinets	<input type="checkbox"/>
NOTE: MF cabinets cannot be ganged with MP cabinets.		

Optional Accessories

SLB20D4	Safety-lock box	<input type="checkbox"/>
Light options and additional accessories are available. Refer to the Price Guide for more information.		

M SERIES FLAT DOOR CABINET

Technical Information

Roughing-in opening	18-1/2" (47 cm) W x 68-5/8" (174.3 cm) H x 4" (10.2 cm) D
Door opening angle	170°

Installation Notes

Install this product according to the installation guide.

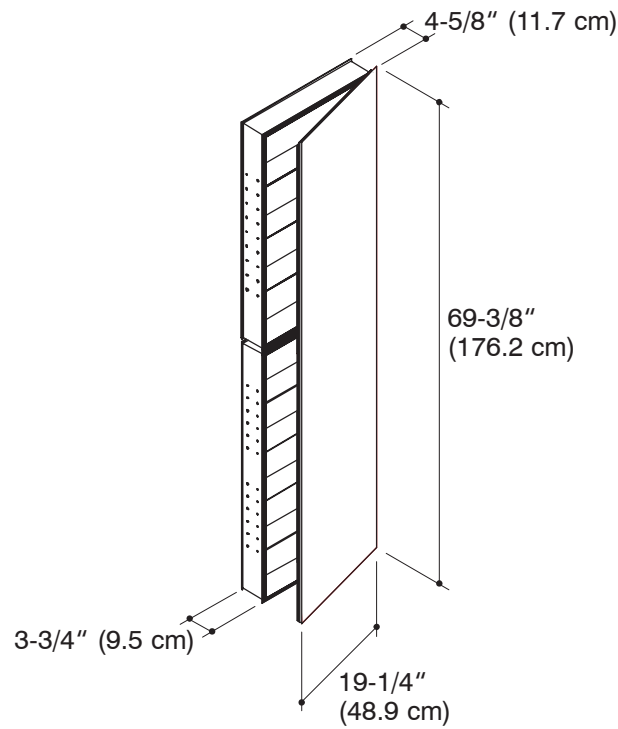
When determining the height of the mirrored cabinet, ensure the mirrored door will clear all obstacles, such as a faucet. A minimum distance of 1" (2.5 cm) is required.

Secure the screws (provided) to a stud to avoid possible property and product damage. If this is not possible, anchors (provided) must be inserted before installing the screws.

Modular components can be joined horizontally.

When ganging cabinets: rough opening width = total width of all cabinets and lights minus 3/4" (1.9 cm).

Recessed cabinets project 7/8" (2.2 cm) from wall.



Product Diagram