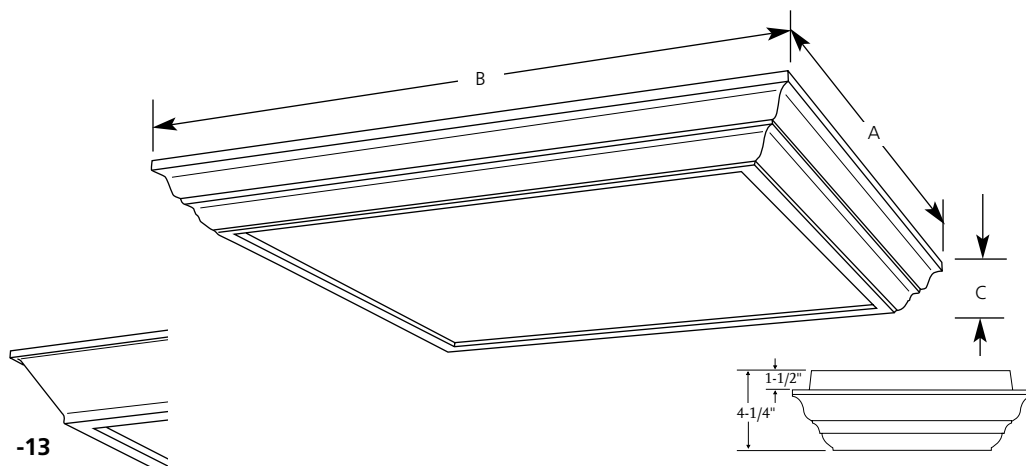


| | Type | | | | |
|-------|--------------------------|--------------------------|--------------------------|--------------------------|--------------------------|
| | -01 | -13 | -30 | -35 | -36 |
| P7273 | <input type="checkbox"/> | <input type="checkbox"/> | <input type="checkbox"/> | <input type="checkbox"/> | <input type="checkbox"/> |
| P7274 | <input type="checkbox"/> | <input type="checkbox"/> | <input type="checkbox"/> | <input type="checkbox"/> | <input type="checkbox"/> |
| P7275 | <input type="checkbox"/> | <input type="checkbox"/> | <input type="checkbox"/> | <input type="checkbox"/> | <input type="checkbox"/> |
| P7276 | <input type="checkbox"/> | <input type="checkbox"/> | <input type="checkbox"/> | <input type="checkbox"/> | <input type="checkbox"/> |

| Catalog No. | Finish | | | | | Chassis | Dimensions (Inches) | | |
|-------------|------------|---------------|-------|-------------|----------------|-----------|---------------------|--------|-------|
| | Unfinished | Brushed Steel | White | Natural Oak | White Wash Oak | | A | B | C |
| P7273 | -01 | -13 | -30 | -35 | -36 | P7213-30* | 26 | 26-1/2 | 4-3/4 |
| P7274 | -01 | -13 | -30 | -35 | -36 | P7214-30* | 15 | 50-1/2 | 4-3/4 |
| P7275 | -01 | -13 | -30 | -35 | -36 | P7215-30* | 18 | 50-1/2 | 4-3/4 |
| P7276 | -01 | -13 | -30 | -35 | -36 | P7216-30* | 26-1/2 | 50-1/2 | 4-3/4 |

*Specify ES or EB (See Chassis spec. sheet)



Specifications:

General

- Crown molding configuration on all wood finishes. Brushed Steel (-13) profile has straight edges.
- Unfinished (-01) can be stained to match wood cabinets, ceiling, or walls
- Brushed steel (-13) is ideal for complementing stainless steel kitchen appliances. Finish is integral to vinyl laminate material.
- White finish (-30) trim can be painted to match room decor
- Natural (-35) and White Wash (-36) Oak trims are real oak construction

- Lift and shift action for easy removal for cleaning and lamp replacement
- All white acrylic lay-in diffuser
- Chassis is regressed when diffuser is installed
- For use with designated chassis as shown

Mounting

- Mounts only on designated chassis (see above and refer to Chassis spec. sheets)

P7214-30ES/P7274-36

P7214-30ES WITH P7274-36

Report No. 99021

No. Lamps: 2 Type Lamp: F40CW/RS/SS - SYLVANIA Total Lumens: 5700

Fixture Efficiency: 47.5%

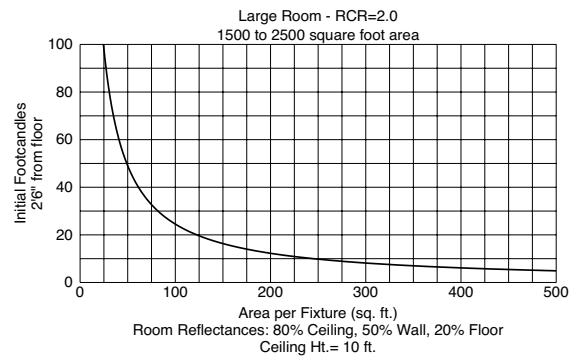
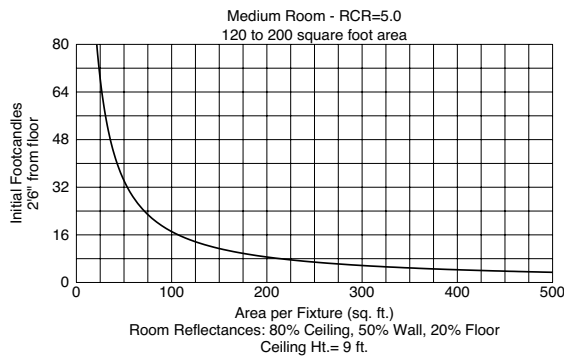
S/MH Ratio: 1.4 (0) 1.3 (90)

Single Fixture Data

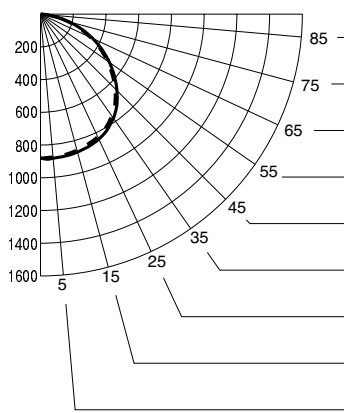
| Ceiling Ht.(Ft.) | 10% Values | | Zero Degrees Ft.-C | 50% Values | |
|---------------------|------------------|-----------|--------------------------|-----------------|-----------|
| | Beam Angle - 112 | | | Beam Angle - 68 | |
| | Ft.-C | Beam Dia. | | Ft.-C | Beam Dia. |
| 8 | 2.9 | 16 | 29.1 | 14.6 | 7 |
| 10 | 1.6 | 22 | 15.6 | 7.8 | 10 |
| 12 | 1.0 | 28 | 9.8 | 4.9 | 13 |
| 14 | 0.7 | 34 | 6.7 | 3.3 | 16 |
| 16 | 0.5 | 40 | 4.8 | 2.4 | 18 |

Ft.-C (Footcandles) are initial and measured 2'-6" from floor

Quick Calculator Charts



DISTRIBUTION CURVE



INTENSITY DATA

| DEGREES | CANDELA | |
|---------|---------|--------|
| | AT 0' | AT 90' |
| 90 | 1 | 3 |
| 85 | 33 | 32 |
| 80 | 100 | 90 |
| 75 | 181 | 167 |
| 70 | 267 | 251 |
| 65 | 352 | 335 |
| 60 | 435 | 417 |
| 55 | 514 | 496 |
| 50 | 589 | 571 |
| 45 | 660 | 641 |
| 40 | 726 | 707 |
| 35 | 777 | 758 |
| 30 | 816 | 798 |
| 25 | 843 | 827 |
| 20 | 860 | 845 |
| 15 | 872 | 860 |
| 10 | 880 | 870 |
| 5 | 884 | 876 |
| 0 | 880 | 880 |

ZONAL CAVITY COEFFICIENTS OF UTILIZATION

Effective Floor Cavity Reflectance 0.20

| RC | Effective Floor Cavity Reflectance 0.20 | | | | | | | | | | | | | | | | | | | | | | |
|----|---|----|----|----|----|----|----|----|----|----|----|----|----|----|----|----|----|----|----|----|----|--|--|
| | 80 | | | | 70 | | | | 50 | | | | 30 | | | | 10 | | | | 0 | | |
| RW | 70 | 50 | 30 | 10 | 70 | 50 | 30 | 10 | 50 | 30 | 10 | 50 | 30 | 10 | 50 | 30 | 10 | 50 | 30 | 10 | 0 | | |
| 0 | 57 | 57 | 57 | 57 | 55 | 55 | 55 | 55 | 53 | 53 | 53 | 51 | 51 | 51 | 48 | 48 | 48 | 47 | 47 | 47 | 47 | | |
| 1 | 52 | 49 | 47 | 46 | 50 | 48 | 46 | 45 | 46 | 45 | 43 | 44 | 43 | 42 | 43 | 42 | 41 | 40 | 40 | 40 | 40 | | |
| 2 | 47 | 43 | 40 | 37 | 46 | 42 | 39 | 37 | 40 | 38 | 36 | 39 | 37 | 35 | 37 | 36 | 34 | 33 | 33 | 33 | 33 | | |
| 3 | 43 | 38 | 34 | 31 | 42 | 37 | 33 | 30 | 36 | 32 | 30 | 34 | 32 | 29 | 33 | 31 | 29 | 28 | 28 | 28 | 28 | | |
| 4 | 39 | 33 | 29 | 26 | 38 | 33 | 29 | 26 | 31 | 28 | 25 | 30 | 27 | 25 | 29 | 27 | 25 | 24 | 24 | 24 | 24 | | |
| 5 | 36 | 30 | 25 | 22 | 35 | 29 | 25 | 22 | 28 | 25 | 22 | 27 | 24 | 22 | 26 | 24 | 21 | 20 | 20 | 20 | 20 | | |
| 6 | 33 | 27 | 22 | 19 | 32 | 26 | 22 | 19 | 25 | 22 | 19 | 25 | 21 | 19 | 24 | 21 | 19 | 18 | 18 | 18 | 18 | | |
| 7 | 31 | 24 | 20 | 17 | 30 | 24 | 20 | 17 | 23 | 19 | 17 | 22 | 19 | 17 | 22 | 19 | 17 | 16 | 16 | 16 | 16 | | |
| 8 | 28 | 22 | 18 | 15 | 28 | 22 | 18 | 15 | 21 | 17 | 15 | 20 | 17 | 15 | 20 | 17 | 15 | 14 | 14 | 14 | 14 | | |
| 9 | 27 | 20 | 16 | 14 | 26 | 20 | 16 | 14 | 19 | 16 | 13 | 19 | 16 | 13 | 18 | 15 | 13 | 12 | 12 | 12 | 12 | | |
| 10 | 25 | 19 | 15 | 12 | 24 | 18 | 15 | 12 | 18 | 14 | 12 | 17 | 14 | 12 | 17 | 14 | 12 | 11 | 11 | 11 | 11 | | |

