



Compact
Fluorescent Trim **8" Pro-Optic™ Lensed**
2 Horizontal Quad Tube Lamps
Non-IC

Recessed

Type _____

-68

P8135

Finish

Catalog No. Prismatic

P8135 -68

Dimensions (Inches)

A B C

9 7-3/4 7-1/8

Maximum Ceiling Thickness: 1-1/4"

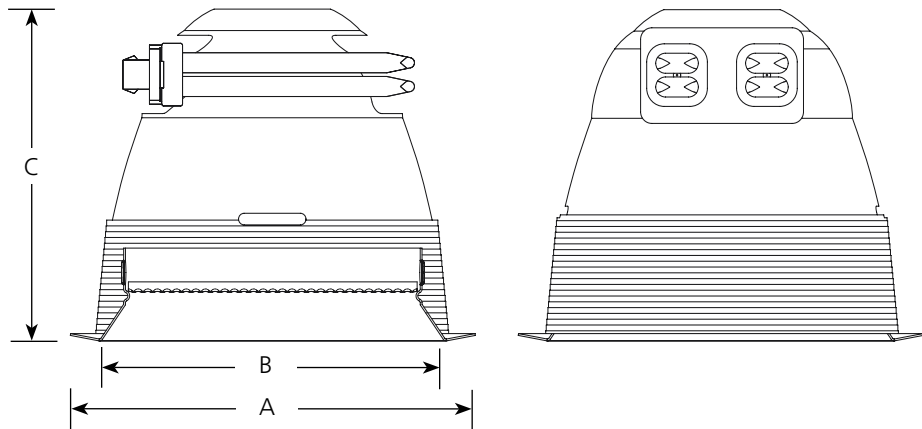
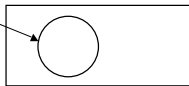
Ceiling Opening: 8-1/4" (see guide for retrofit)

P183H, P188H, P186H

HOUSING COMPATIBILITY GUIDE

ORDERING GUIDELINES	8 INCH OPENING RANGE	
	MIN	MAX
REQUIRES SD HOUSING OPTION	7-15/16	8-1/8
ALL STANDARD HOUSINGS	8-1/8	8-3/4
ONLY P8130 SERIES TRIMS AVAILABLE: "WF" OPTION.	8-3/4	9-1/8

Dimensions shown are for the diameter of the frame flange at it's narrowest point



Lamp Wattage

Housing

New Construction	Retrofit	IC	Non-IC
P8213-EB	P183H-EB	N/A	2-13w Quad tube
P8218-DVEB	P188H-DVEB	N/A	2-18w Quad tube
P8226-DVEB	P186H-DVEB	N/A	2-26w Quad tube
P8226-DM	P186H-DM	N/A	2-26w Quad tube

Specifications:

Flange

- White painted regressed metal trim retains the lens with integral flange
- Attaches to reflector with two scissor springs
- Prismatic (-68) glass lenses
- Protects lamps from below ceiling

Reflector

- All aluminum construction
- One piece construction with integral flange
- No light leaks around trim flange
- Socket cup mounts to reflector for optimum performance and consistent lamp position
- Reflector retention accomplished by spring clips located in aperture of housing

Labeling

- cCSAus listed for wet locations
- Non-IC rated

Progress Lighting
701 Millennium Blvd.
Greenville, South Carolina
29607



P8226-DVEB/P8135-68

8" RECESSED/DOWNLIGHT

Report No. 318

No. Lamps: 2 Type Lamp: 2-CF26DD/E/827-SYLVANIA Total Lumens: 3600

Fixture Efficiency: 45.1%

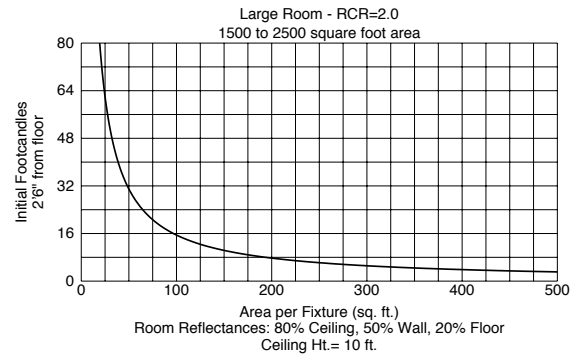
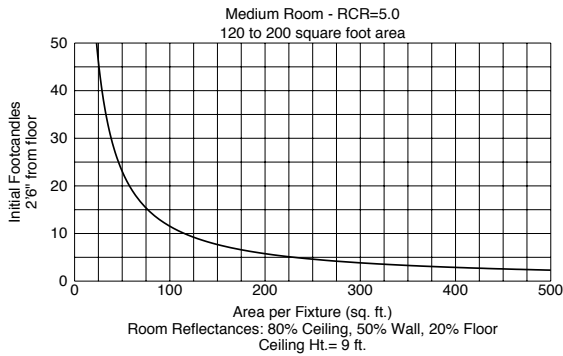
S/MH Ratio: 1.0 (0°) 1.1 (90°)

Single Fixture Data

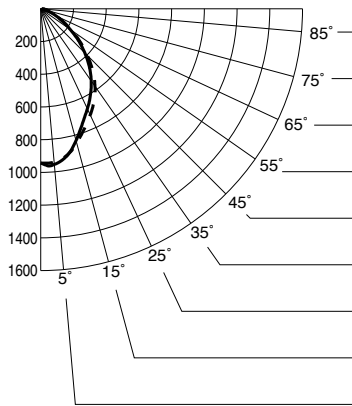
Ceiling Ht.(Ft.)	10% Values		Zero Degrees	50% Values	
	Beam Angle - 98°			Beam Angle - 54°	
	Ft.-C	Beam Dia.		Ft.-C	Beam Dia.
8	3.1	13	31.2	15.6	6
10	1.7	17	16.8	8.4	8
12	1.0	22	10.4	5.2	10
14	0.7	26	7.1	3.6	12
16	0.5	31	5.2	2.6	14

Ft.-C (Footcandles) are initial and measured 2'-6" from floor

Quick Calculator Charts



DISTRIBUTION CURVE



INTENSITY DATA

DEGREES	CANDELA	
	AT 0°	AT 90°
90	3	2
85	9	8
80	27	25
75	44	41
70	67	65
65	104	104
60	157	160
55	221	231
50	300	314
45	381	403
40	462	494
35	538	578
30	608	651
25	675	716
20	746	780
15	834	849
10	914	911
5	955	941
0	943	943

ZONAL CAVITY COEFFICIENTS OF UTILIZATION

Effective Floor Cavity Reflectance 0.20

RC	Effective Floor Cavity Reflectance 0.20																						
	80				70				50				30				10				0		
RW	70	50	30	10	70	50	30	10	50	30	10	50	30	10	50	30	10	50	30	10	0		
0	54	54	54	54	52	52	52	52	50	50	50	48	48	48	46	46	46	45	45	45	45		
1	50	48	47	45	49	47	46	45	45	44	43	44	43	42	42	41	41	41	40	40	40		
2	46	43	41	39	45	42	40	38	41	39	37	39	38	36	38	37	36	35	35	35	35		
3	43	39	36	33	42	38	35	33	37	34	32	36	34	32	35	33	31	31	31	31	31		
4	40	35	32	29	39	35	31	29	33	31	29	32	30	28	32	30	28	27	27	27	27		
5	37	32	28	26	36	31	28	26	30	28	25	30	27	25	29	27	25	24	24	24	24		
6	34	29	26	23	34	29	25	23	28	25	23	27	25	23	27	24	22	21	21	21	21		
7	32	27	23	21	31	26	23	21	26	23	20	25	22	20	24	22	20	19	19	19	19		
8	30	25	21	19	29	24	21	19	24	21	19	23	20	18	23	20	18	18	18	18	18		
9	28	23	19	17	28	22	19	17	22	19	17	22	19	17	21	19	17	16	16	16	16		
10	27	21	18	16	26	21	18	16	20	18	16	20	17	16	20	17	15	15	15	15	15		