



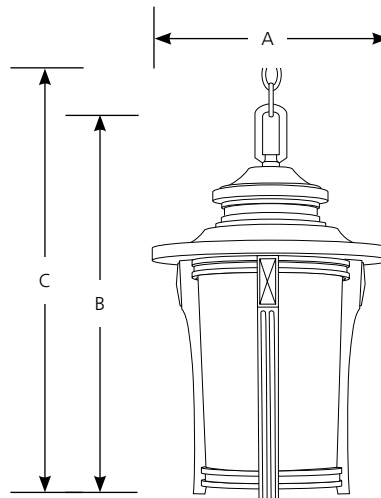
compact fluorescent

Pedigree
Chain-hung

Outdoor

Type _____
-97
P6503

Catalog No.	Finish	Lamping	Dimensions (Inches)		
	Autumn Haze		A	B	C
P6503	-97	1-26w GU24 CFL	9	14-5/8	88



Specifications:

General

- Powder with liquid top coat Autumn Haze (-97) finish
- Etched seeded glass
- Six feet of 9 gauge chain supplied
- Aluminum construction
- Companion Post top lantern, Wall lantern, fixtures are available

Electrical

- GU24 base socket
- 15 feet of wire supplied
- Pre-wired

Labeling

- cCSAus Damp location listed

Mounting

- Ceiling chain mount
- Canopy covers a standard 4" hexagonal recessed outlet box
- Mounting strap for outlet box included

Progress Lighting
701 Millennium Blvd.
Greenville, South Carolina
29607

www.progresslighting.com

Rev. 04/13