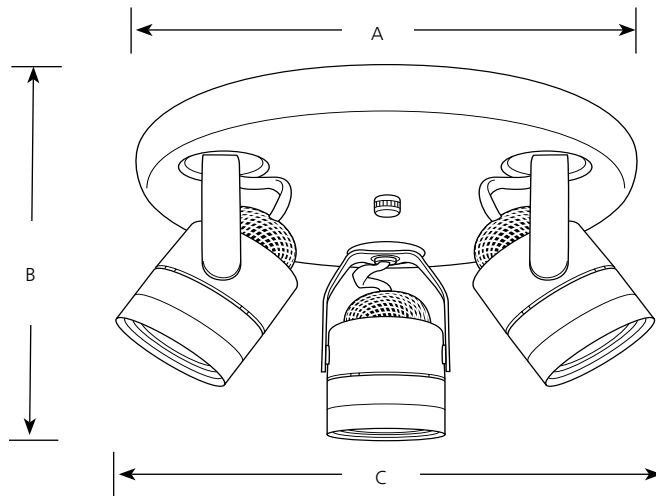




	Type		
	-09WB	-30WB	-174WB
P6153	<input type="checkbox"/>	<input type="checkbox"/>	<input type="checkbox"/>

Catalog No.	Finish			Lamping	Dimensions (Inches)		
	Brushed Nickel	White	Urban Bronze		A	B	C
P6153	-09WB	-30WB	-174WB	3-50w MR16 (Included)	9-1/2	5	10



Specifications:

General

- Pin hole round back style
- Plated Brushed Nickel (-09), and painted white (-30) and Urban Bronze (-174) finishes
- No baffles
- 180 degree vertical and 360 degree horizontal adjustment.
- Matching single lamp units available.
- Steel construction

Mounting

- Wall or ceiling mounted
- Canopy covers a standard recessed 4" octagonal outlet box
- Mounting strap for outlet box included

Electrical

- 120v 50w MR16 lamps included with fixture
- GU10 based sockets
- Pre-wired

Labeling

- UL-CUL listed