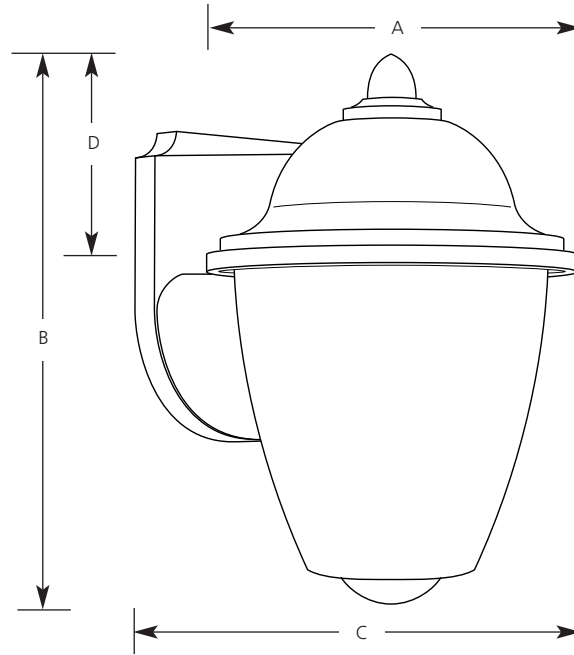


Type _____
 -30 -31
 P5844

Catalog No.	Finish		Lamping	Dimensions (Inches)			
	White	Black		A	B	C	D
P5844	-30	-31	1 (m) 60w	6	8-3/4	7-1/4	3



Specifications:

General

- Polycarbonate wall bracket
- White acrylic "acorn" diffuser: 5-1/2" ht., 5-21/32" dia.
- Remove diffuser with quarter turn

Electrical

- Medium based phenolic socket

Labeling

- UL-CUL wet location listed

Mounting

- Wall mounted
- Covers standard junction box
- Mounting strap for outlet box and center cap nut furnished
- Back plate 4-1/2" w x 4-3/4" h