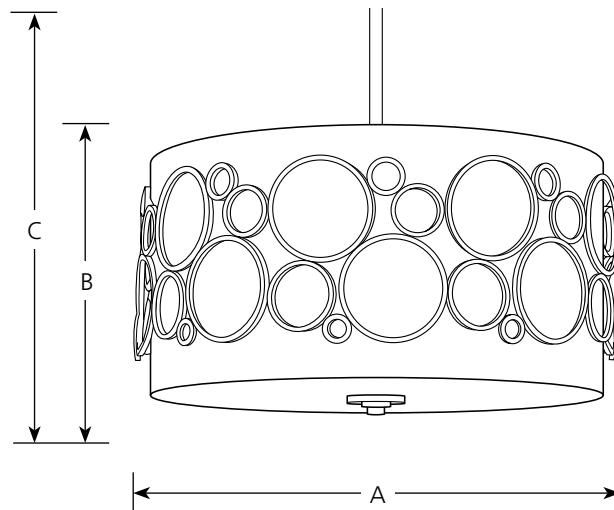


Catalog No.	Finish		Lamping	Dimensions (Inches)		
	Brushed Nickel	Venetian Bronze		A	B	C
P5014	-09	-74	3 (m) 100w	18	9-5/16	75-3/8

Type	-09	-74
P5014	<input type="checkbox"/>	<input type="checkbox"/>



Specifications:

General

- Opal etched glass shade: 16-3/4" dia., 8-3/4" ht.
- Plated Brushed Nickel (-09) finish
- Painted Venetian Bronze (-74) finish
- Steel
- 6 links of 9 gauge chain supplied.
- Steel decorative frame fits on outside of glass
- Companion Chandelier, Close-to-ceiling, Pendant, Sconce, fixtures are available

Mounting

- Ceiling stem mounted with 6 links of chain mount
- Canopy covers a standard 4" hexagonal recessed outlet box
- Mounting strap for outlet box included

Electrical

- Medium base ceramic sockets
- 10 feet of wire supplied
- Pre-wired

Labeling

- UL-CUL Dry location listed