



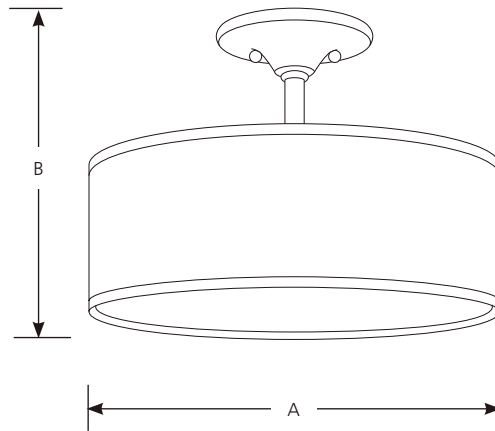
Compact Fluorescent

Inspire

Close to Ceiling

Type _____
-09 -20
P3939

Catalog No.	Finish		Lamping	Dimensions (Inches)	
	Brushed Nickel	Antique Bronze		A	B
P3939	-09	-20	2 26w GU24 CFL	13	10-1/8



Specifications:

General

- White acrylic diffuser
- White linen shade: 13" dia. x 4-1/2" ht.
- Brushed Nickel (-09) is plated, Antique Bronze (-20) is a hand painted finish
- Steel construction

Electrical

- Pre-wired
- GU24 sockets

Labeling

- cCSAus Damp Location listed

Mounting

- Ceiling mount
- Ceiling pan covers a standard 4" recessed octagonal outlet box
- Mounting strap for outlet box included

Progress Lighting
701 Millennium Blvd.
Greenville, South Carolina
29607

www.progresslighting.com

Rev. 7/12