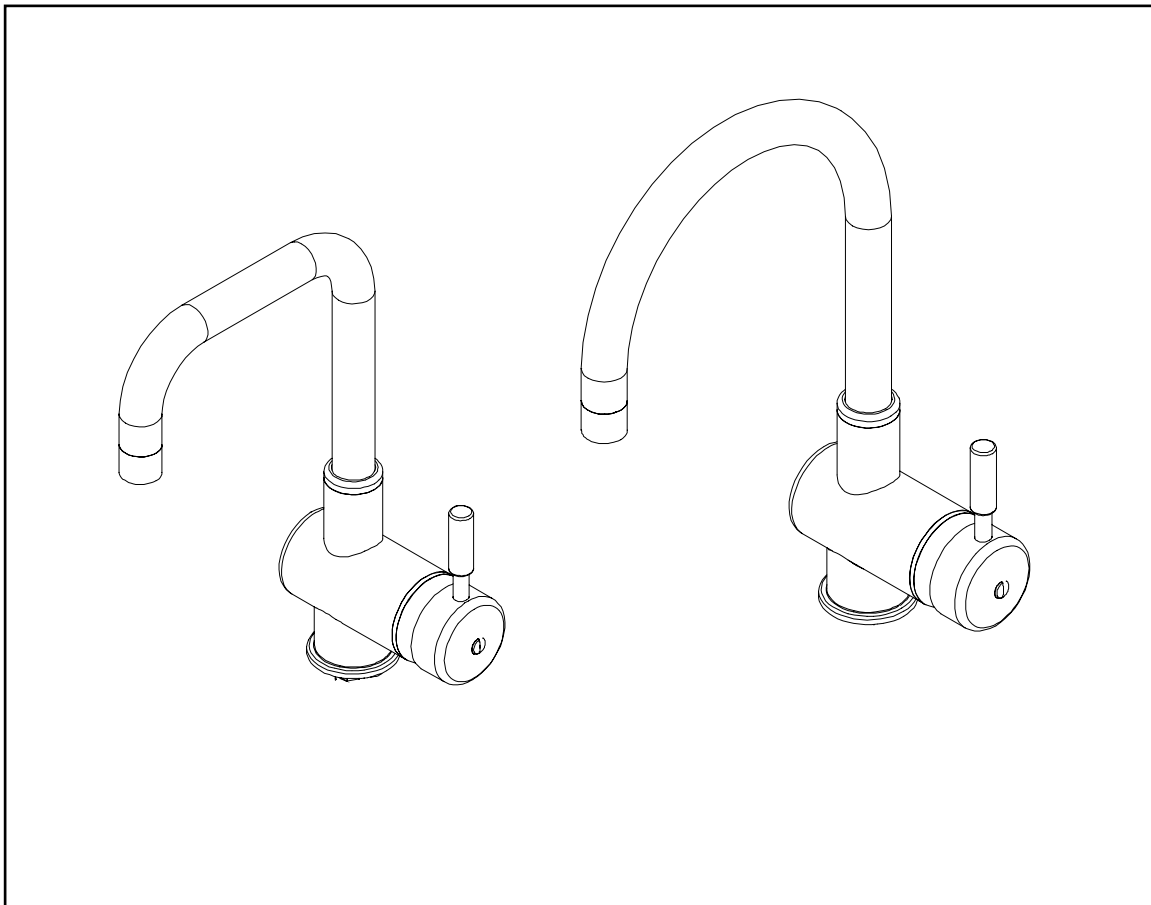


**NEWPORT BRASS.**  
*The Luxury of Style*

**SINGLE BAR / KITCHEN  
DECK FAUCET  
INSTALLATION INSTRUCTIONS  
Model No: 2007, 2008**



**Congratulations on the purchase  
of this Newport Brass product,  
an excellent choice that will give you  
years of quality service and enhance  
the look and style of your home.**

## Recommended Installation by a Professional Plumbing Contractor

Note: The use of petroleum base plumbers putty on our products will nullify the warranty. We recommend the use of clear silicone sealing materials. Recommended deck thru hole  $\varnothing$  1.25" to  $\varnothing$  1.38

### I. INSTALLING FAUCET ON SINK (See Fig 1)

- Slide the BASE (2) over STUD (1).
- Place O-RING (3) between BASE (2) and deck surface.
- Align STUD (1) to the left of sink. Place GASKET (4), CRESCENT (5), and NUT (6) onto STUD (1).
- Firmly tighten NUT (6) with wrench.

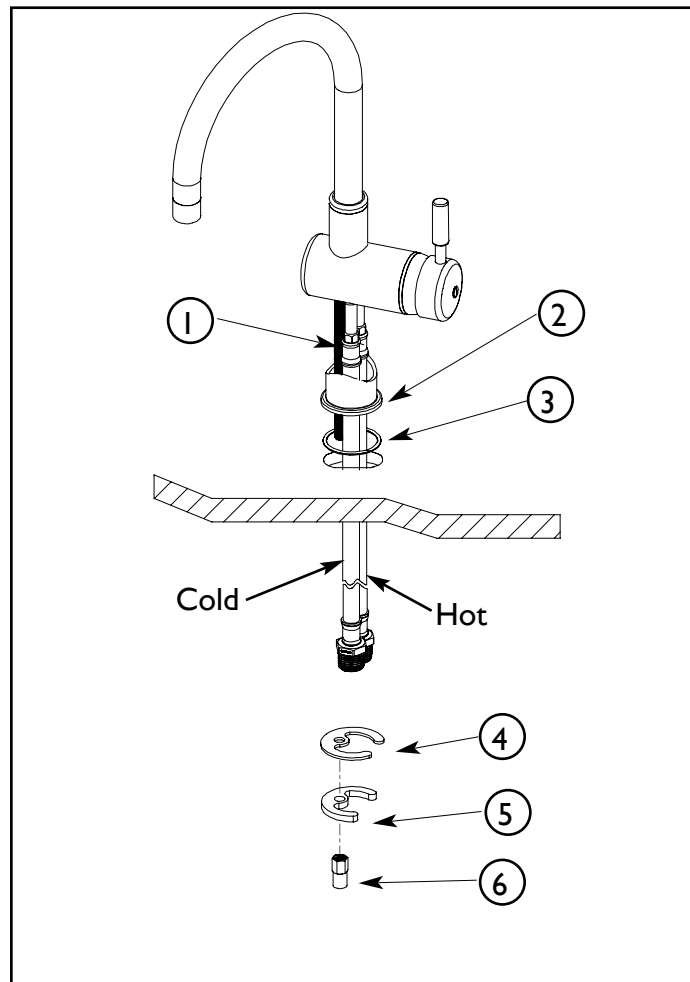
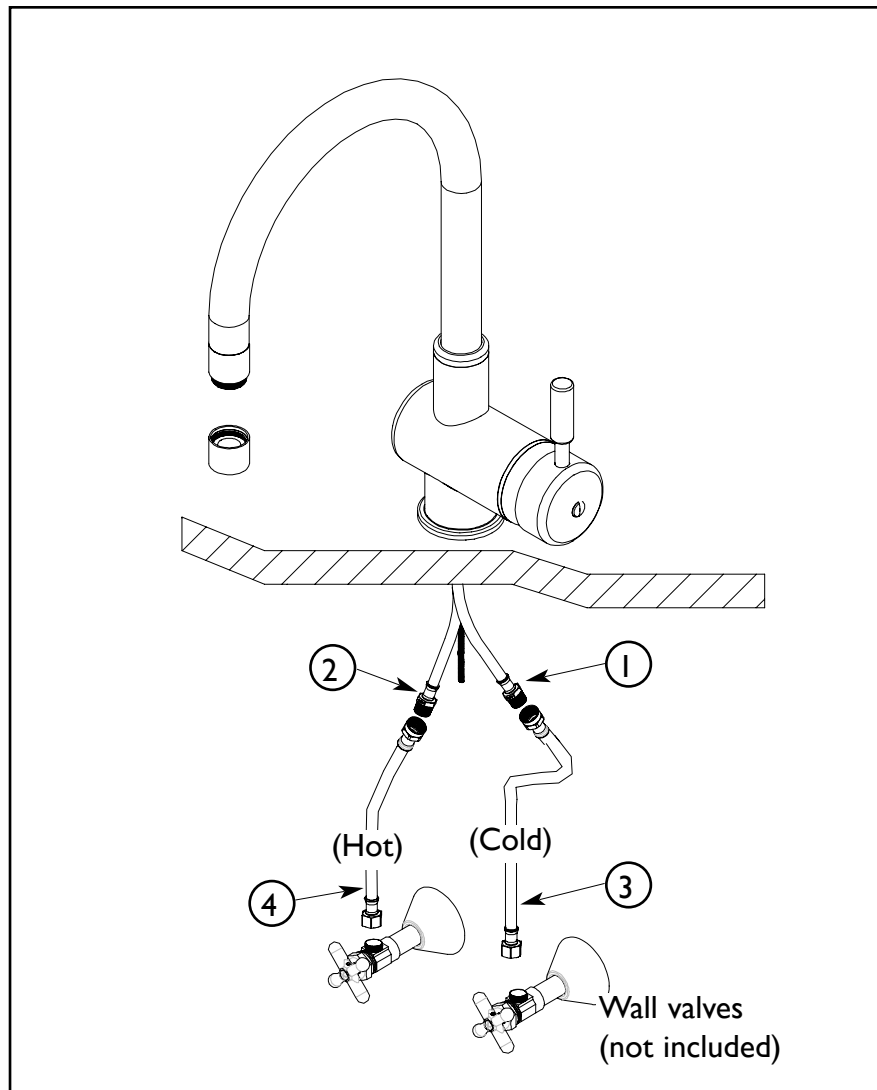


Figure 1

## 2. ATTACHING WATER CONNECTIONS TO SUPPLY (See Fig 2)

- Attach the faucet's COLD (FRONT HOSE) (1) to the cold supply RISER (3) (not included).
- Attach the faucet's HOT (REAR HOSE) (2) to the hot supply RISER (4) (not included).

NOTE: faucet HOSES (1,2) have 1/2" NPT fittings.



**Figure 2**

## 3. TEST INSTALLED FAUCET

- With handle in OFF position, turn on water supplies and check all connections for leaks.
- Remove spout aerator and operate handle in both hot and cold positions to flush water lines thoroughly. Reattach aerator to spout after flushing lines.

# NEWPORT BRASS®

*The Luxury of Style*

## **Newport Brass Product Care**

**Newport Brass faucets and bath fittings are made of solid brass and are of the finest quality. To maintain the finish on these items, please:**

- **Do not use any abrasive cleaners, detergents, brass or silver polish which will scratch the surface.**
- **Clean with a soft damp cloth.**

**Applying a coating of a non-abrasive liquid wax to the clean surface of the product will keep it looking beautiful. Brass ProTech, a product of Brasstech, Inc., can be used on all types of decorative painted and plated finishes.**

**Simply apply Brass ProTech with a soft cloth and let it dry. Then remove by rubbing gently with a soft dry cloth. Brass ProTech contains no harsh abrasives.**

**We highly recommend using Brass ProTech on items finished in Satin Nickel (15S), Polished Nickel (15), Polished Silver (25) and Satin Silver (25S).**

**Do not allow soap scum or minerals in water to build up on the surface finish of your faucets or bath fittings (including toothpaste). These will gradually eat into any finish and diminish the beauty of your Newport Brass products.**

## **Warranty**

**Newport Brass products are warranted to the original purchaser for a period of 10 years in all finishes except as follows: Forever Brass (01) P.V.D., Satin Bronze (10) P.V.D., Polished Chrome (26), Stainless Steel (20) P.V.D., Oil Rubbed Bronze (10B), and powder-coat colors have a lifetime warranty. Uncoated finishes such as: Uncoated Brass (03N), Weathered Brass (03W) and Weathered Copper (08W) have no finish warranty.**

**The warranty period starts from the date of shipment to the original purchaser. Kitchen, bath or lavatory drains of all types, due to abuse to which they may be subjected, are warranted as follows: powder-coated colors, Polished Chrome (26), Satin Chrome (26D), Oil Rubbed Bronze (10B), Forever Brass (01) or Stainless Steel (20) - 1 year. In all other finishes - no warranty on the finish for these products.**

**Ceramic disc valves (lavatory, tub/shower, and roman tub valves) have a lifetime warranty. Other valve types (balance pressure, thermostatic, etc.) are warranted for one year from the date of purchase on mechanical operations.**

**Product problems attributable to abuse, misuse, improper installation, hard water, maintenance or accidental damage are not covered by this warranty. No repairs or replacements will be made under such circumstances except at customer's expense. Liability under all warranties expressed or implied is limited to replacement of non-conforming goods only.**

## **Flush pipes prior to installation**

**Solder and other debris may damage ceramic discs. Cartridges are factory set at 14-16 lbs. torque.**