

INSTALLATION INSTRUCTIONS

For Trim Rings Model #2716

READ AND SAVE THESE INSTRUCTIONS

WARNING! SHUT POWER OFF AT FUSE OR CIRCUIT BREAKER.

AVERTISSEMENT! COUPER LE COURANT AU NIVEAU DES FUSIBLES OU DU DISJONCTEUR.

INSTALLATION (Fig. 1)

1. Carefully remove the trim ring from the carton and check that all parts are included as shown in the illustration.
2. Shut off power at the circuit breaker.
3. Remove the bulb from the recess can and current trim ring.
4. Slide the Trim(C) into the Housing (A) by squeezing the Spring steels (B) slightly & release after starting into opening.
5. Continue to press trim into place until flush against ceiling. Be sure to guide the trim over the socket inside the fixture.
6. Install or replace the Light Bulb (D) (not included) with Suction Cup Tool (E) provide with trim ring.

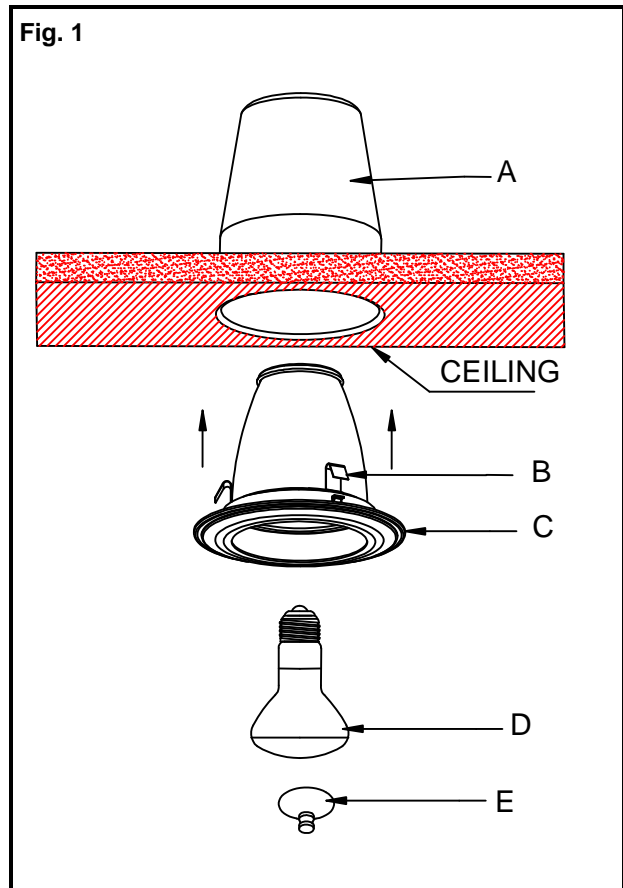
CAUTION: Refer to the relamping label located near the lamp holder for recommended maximum bulb wattage.

1. **(DO NOT EXCEED RECOMMENDED MAXIMUM WATTAGE !!). (NE PAS DEPASSER LA PUISSANCE NOMINALE MAXIMALE!)**

Your installation is now complete turn power back on.

Note: Illustration (Fig.1) on this manual is for installation purposes only. It may or may not be identical to the fixture purchased.

Fig. 1



COMMERCIAL ELECTRIC: HBR2000BICAT (RH4IC) H13
HALO: H99ICT, H99T, H99RT

