

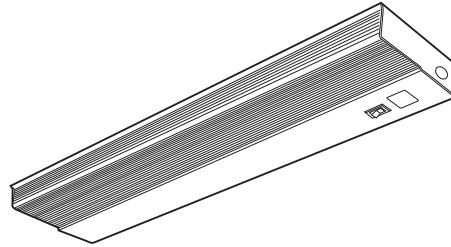
Catalog Number	
Notes	Type

FEATURES

- Trim, low-profile design, only 1-3/16" deep.
- Flattened knockouts for cleaner appearance.
- Snap-fit channel cover attachment. No tools required for wireway access.
- Hinged, removable channel cover allows hands-free wiring and quick installation.
- Factory-installed starters on all preheat models.
- Romex/BXR conduit connector provided with each fixture.
- Optional instant-on electronic start magnetic ballast for flicker-free lamp start.
- Low-brightness, linear prismatic diffuser provides improved visual comfort.
- 15% DR acrylic and snap-fit diffuser design for improved shatter-resistant and positive attachment.
- Optional task diffuser with clear linear prismatic bottom and opaque front for maximum illumination without direct edge glare.
- Five fixture lengths available.
- Available with factory-installed lamp, switch, cordset and convenience outlet options.
- **Certain airborne contaminants can diminish integrity of acrylic. [Click here for Acrylic Environmental Compatibility table for suitable uses.](#)**

Undercabinet Light UC

1" Wrap-Front Lens



SPECIFICATIONS

BALLAST — Normal power factor reactor type ballast standard. Others available (See ordering information).

WIRING & ELECTRICAL — Fixture conforms to UL 1570 and is suitable for damp locations. AWM, TFN or THHN wire used throughout, rated for required temperatures.

MATERIALS — Metal parts precision roll-formed from 20 gauge cold rolled steel.

FINISH — Five-stage iron-phosphate pre-treatment ensures superior paint adhesion and rust resistance. Painted parts finished with polyester powder paint.

LISTING — UL listed and labeled. Listed and labeled to comply with Canadian and Mexican Standards.

NOTE: Specifications subject to change without notice.

ORDERING INFORMATION

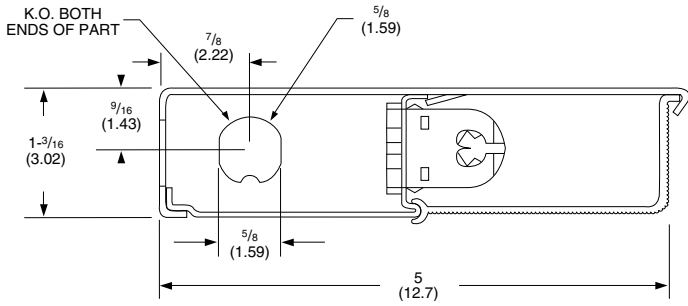
Example: **UC 33E OP 120**

UC									
Series	Fixture length/ballast type	Diffuser	Voltage	Options					
UC Undercabinet light	12E (1) 8W T5, instant start electronic	(blank) Standard, milk-white, DR acrylic	120	GLR	Internal fast-blow fuse				
	21E (1) 13W T5, instant start electronic	OP Opaque-front, clear bottom DR acrylic		GMF	Internal slow-blow fuse				
	24E (2) 8W T5, instant start electronic			CSW	6-foot, 3-wire, grounded cordset, right end				
	33E (1) 8W and 13W T5, instant start electronic			LPWW	Warm white 3000K T5 lamp(s); factory supplied				
	42E (2) 13W T5, instant start electronic			PAF	White powder paint finish after fabrication				
				CO	Grounded convenience outlet. Installed, bottom right, 120V only				
				SWR	Rocker switch, installed bottom right, 120V only				
				CSA	Listed and labeled to comply with Canadian Standards				
				NOM	Listed and labeled to comply with Mexican Standards				

UC Undercabinet Light

MOUNTING DATA

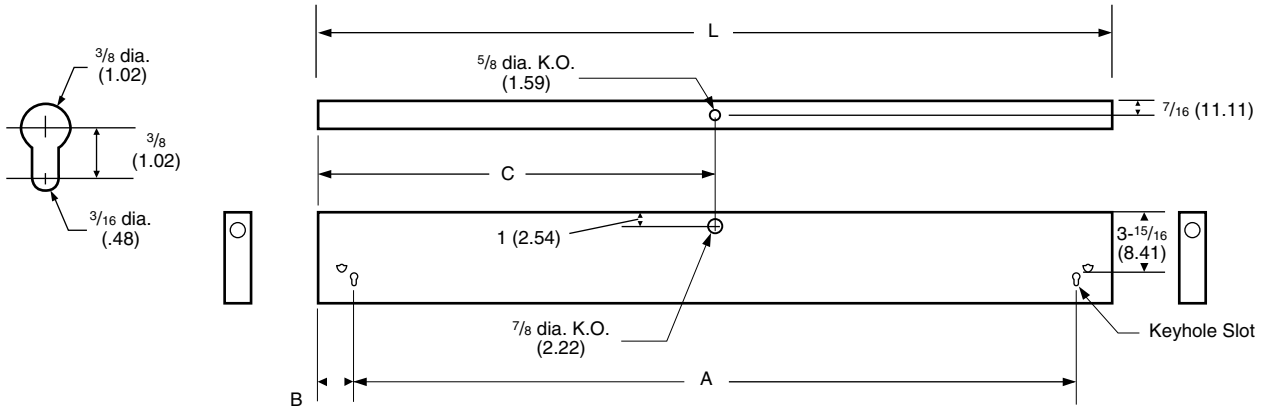
For unit or row mount installation, surface mounting only.



DIMENSIONS

Inches (centimeters). Subject to change without notice.

Length	A	B	C	# Keyholes
12-3/8 (31.43)	7-1/16 (17.94)	2-5/8 (6.67)	6-1/8 (15.56)	2
21-3/8 (52.23)	16-1/16 (40.80)	2-5/8 (6.67)	10-11/16 (27.15)	2
24-1/2 (62.25)	19-1/4 (48.90)	2-5/8 (6.67)	12-1/4 (31.12)	2
33-1/2 (85.10)	28-1/4 (71.76)	2-5/8 (6.67)	17 (43.18)	2
42-1/2 (107.96)	37-1/4 (94.62)	2-5/8 (6.67)	21-1/4 (53.98)	2



PHOTOMETRICS

Photometry derived in accordance with IESNA LM41 procedure. Vertical and horizontal illuminance is calculated with fixture mounted 15" from work surface. Full photometric data available upon request.

Initial Point Illumination on horizontal work surface. (fc)

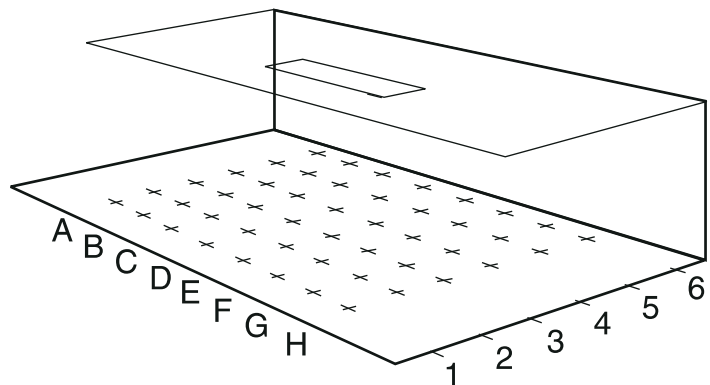
Coordinates are on 6" centers.

UC 24 Report LTL 6349

	1	2	3	4	5	6
A	7	9	9	7	5	3
B	13	19	18	13	8	4
C	21	30	29	19	10	6
D	26	38	36	23	12	7
E	26	38	36	23	12	7
F	21	30	29	19	10	6
G	13	18	18	13	8	4
H	7	9	9	7	5	3

UC 42 Report LTL 6447

	1	2	3	4	5	6
A	22	31	31	21	13	7
B	32	46	44	30	17	9
C	37	54	52	35	19	11
D	40	58	56	37	21	12
E	40	58	56	37	21	12
F	37	54	52	35	19	11
G	32	46	44	30	17	9
H	22	31	31	21	13	7



Lithonia Lighting
Fluorescent
One Lithonia Way, Conyers, GA 30012
Phone: 800-858-7763
www.lithonia.com