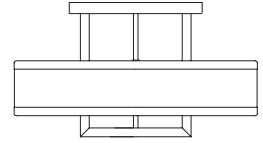
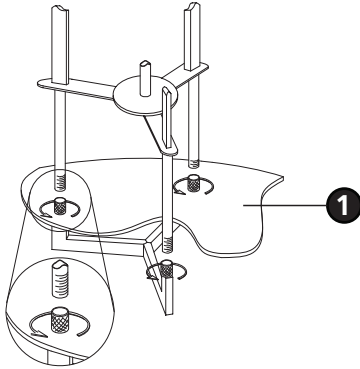


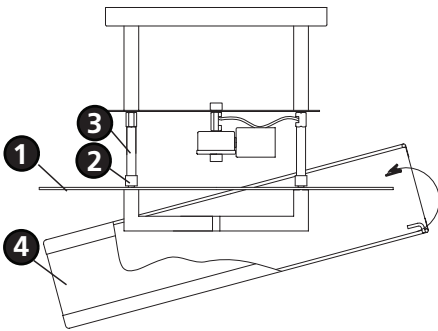
Family: Hampton | Item No. 3201 AN/BR



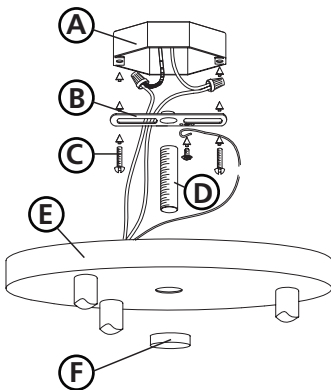
Drawing 1 - Fixture Assembly



Drawing 2 - Fixture Assembly



Drawing 3 - Mounting Instructions



▼ start here

1

1. Find a clear area in which you can work.
2. Unpack fixture and glass from carton.
3. Carefully review instructions prior to assembly.

***** The construction of this fixture will be accomplished by first assembling the main body structure, installing the mounting hardware to the junction box, mounting the fixture to the ceiling and then installing the shade.**

2

1. Attach acrylic lens assembly (1) by threading coupler (2) onto end of lower upright stems (3) - see **Drawings 1 and 2**.

3

1. Fasten mounting strap (B) to outlet box (A) with the original outlet box screws (C) - see **Drawing 3**.
2. Thread nipple (D) into mounting strap (B) approximately 3/8" .

SAFETY WARNING: READ WIRING AND GROUNDING INSTRUCTIONS (I.S. 18) AND ANY ADDITIONAL DIRECTIONS. TURN POWER SUPPLY OFF DURING INSTALLATION. IF NEW WIRING IS REQUIRED, CONSULT A QUALIFIED ELECTRICIAN OR LOCAL AUTHORITIES FOR CODE REQUIREMENTS.

4

- Make electrical connections from supply wire to fixture lead wires. Refer to instruction sheet (I.S. 18) and follow all instructions to make all necessary wiring connections. Then refer back to this page to continue installation of this fixture.

5

1. Slip canopy (E) over nipple (D) and up against ceiling - see **Drawing 3**.
2. Thread decorative finial (F) onto end of nipple (D).

6

1. Fixture can now be lamped accordingly.
2. Slip shade (4) onto acrylic assembly (1) - see **Drawing 2**.

8.31.09