

# EUS21W

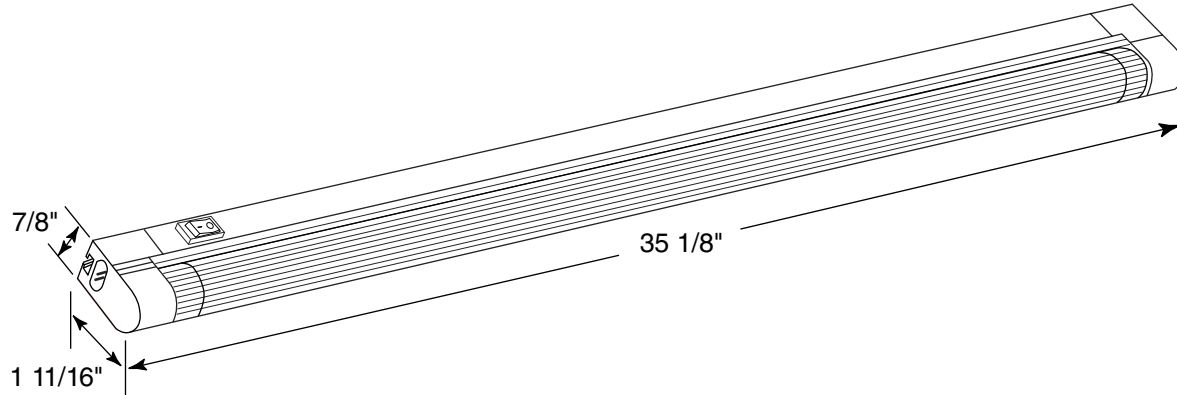
Slimline Fluorescent Undercabinet Light

## PROJECT INFORMATION:

Project Name: \_\_\_\_\_

Fixture Type: \_\_\_\_\_

Date: \_\_\_\_\_



## PRODUCT SPECIFICATIONS

- 120V Electronic Ballast
- On/Off switch
- 5' power cord and plug included
- White Polycarbonate body, ribbed clear acrylic lens
- Mini-connectors for flush unit-to-unit connection
- Up to 10 units in a continuous row
- (1) F21T5 Lamp included
- U.L. listed

**Dimensions:** 1 11/16"H x 7/8" x 35 1/8"L

## CATALOG NUMBER

**Example:** EUS21W

**Options:** EUSC6: 6" linking cable  
EUSC12: 10" linking cable  
EUSC24: 24" linking cable  
EUSC36: 39" linking cable  
EUS21L: Replacement lens for EUS21W  
F21T5: Replacement bulb for EUS21W  
EUSPC: 5' power cord

