

# Concord Four Door Three Drawer Vanity

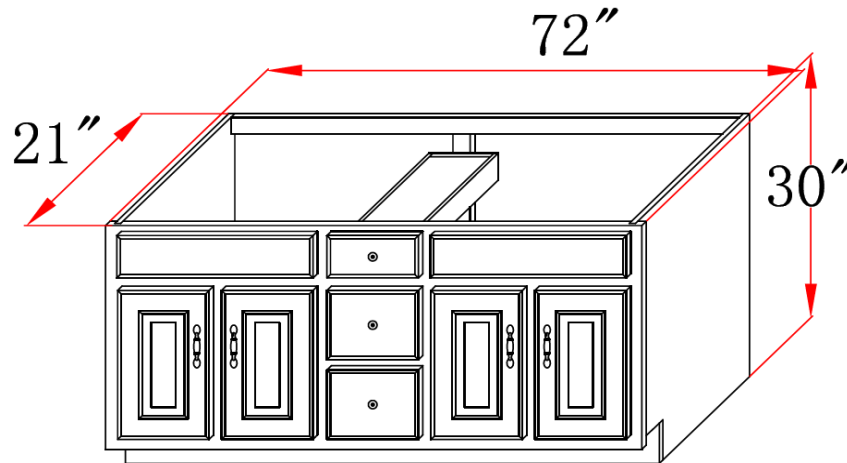


## Specifications

- MDF square panel doors & drawer fronts
- Full frame design
- 1/2" plywood sides
- Center mount ball bearing drawer glide system
- Concealed adjustable hinges
- Satin nickel hardware included
- Cam-lock connectors for fast & easy assembly
- Vanity top sold separately



## Dimensions



## Warranty & Compliances

**Warranty** Limited 1 year warranty  
**California 93120** Compliant



## Order Codes & Finishes/Colors

72"w x 21"d x 30"h

541086

Type:  
Job:  
Order Code:  
Approvals:

Design House reserves the right to make changes in materials, specifications & models at any time. Design House also reserves the right to discontinue product without notice or obligation.