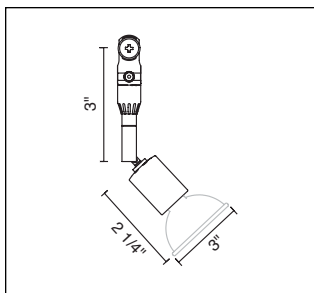


## ENZIS INSTALLATION INSTRUCTIONS



### TIKUS

ART. NO.

140 775bz

bronze

140 775mc

matte chrome

### TECHNICAL DATA

Description: Light Fixture  
Design: Jorg Westerheide

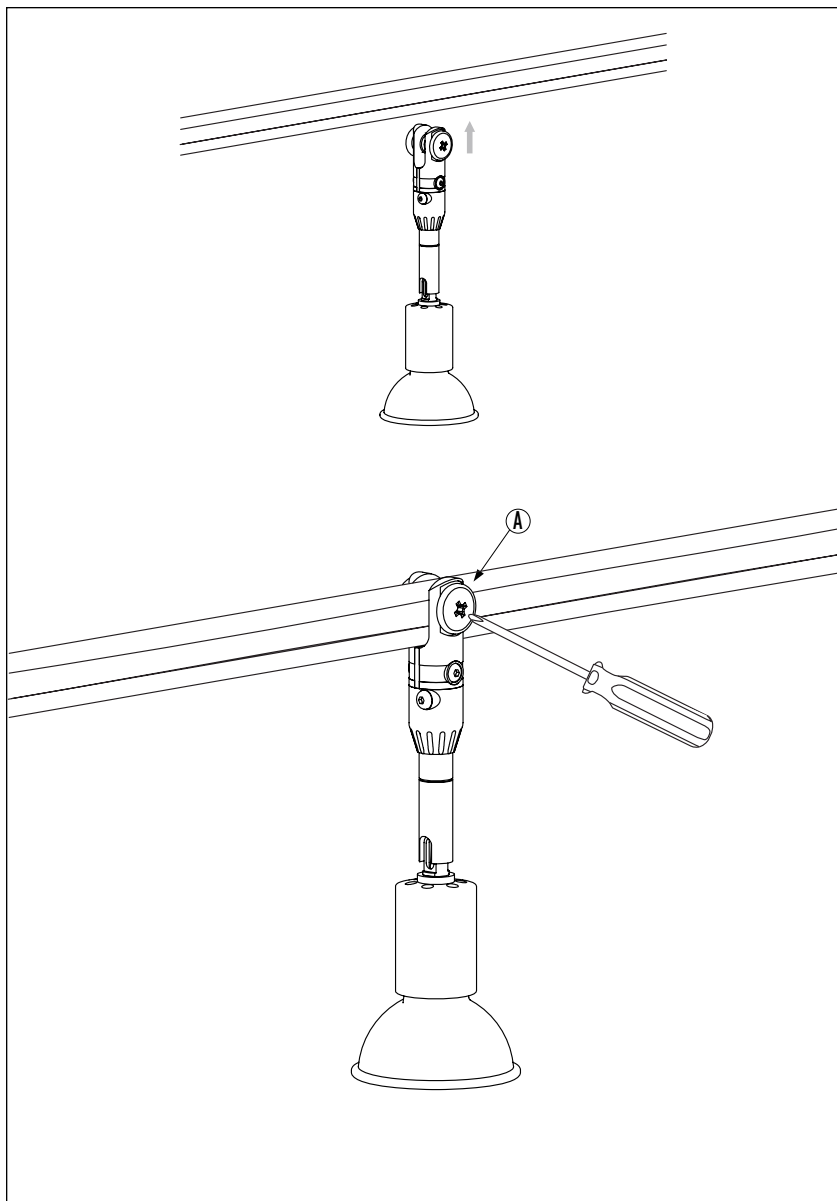
### IMPORTANT SAFETY INSTRUCTIONS

1. THIS PRODUCT MUST BE INSTALLED BY A PERSON FAMILIAR WITH THE CONSTRUCTION AND OPERATION OF THE PRODUCT AND THE HAZARDS INVOLVED, IN ACCORDANCE WITH LOCAL NEC CODE.
2. FOR USE WITH ENZIS RAIL NETWORK ONLY.
3. The Enzis rail system is not intended for use with a power supply cord or convenience receptacle adaptor. This rail system is to be supplied by Bruck Lighting.
4. Do not install the Enzis rail system in damp or wet locations.
5. Do not install any part of a rail system less than 5 feet above the floor.
6. Do not install any fixture assembly closer than 6 inches from any curtain, or similar combustible material.
7. Disconnect electrical power before adding to or changing the configuration of the rail.
8. Do not attempt to energize anything other than lighting rail fixtures on the rail. To reduce the risk of fire and electric shock, do not attempt to connect power tools, extension cords, appliances, and the like to the rail.
9. This track system **MUST BE HARD WIRED**. For all the wire connections, use Listed Wire Nuts.
10. Do not connect a rail to more than one circuit unless the rail is constructed so that it can be used with more than one circuit. Check with a qualified electrician. Although the rail lighting system may seem to operate acceptably, a dangerous overload of the neutral may occur and result in a risk of fire.
11. Secondary connections must be clean and tight to avoid arcing and overheating!
12. Power Feed must be 3 inches away from any support and 6 inches away from fixture.
13. Warranty is void in case of unauthorized modifications and/ or improper use.

**SAVE THESE INSTRUCTIONS AND REFER  
TO THEM WHEN ADDITIONS TO OR  
CHANGES IN THE TRACK  
CONFIGURATION ARE MADE**

### CONTENTS OF DELIVERY

1 Tikus Fixture



### USER MANUAL

#### INSTALLING TIKUS

- Place Tikus Fixture onto Enzis track.
- Secure Tikus by tighten thumb screws (A) with phillips head screwdriver, #3 is the recommended size to use.