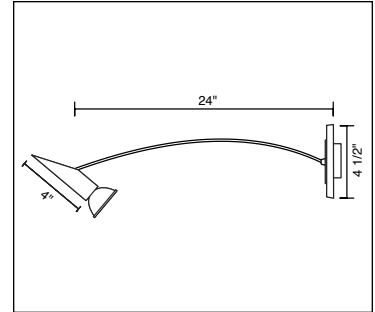


INSTALLATION AND WIRING DIAGRAM

INDIVIDUAL

SCORPIO WALL DISPLAY

ART. NO.	131 260bz	bronze
	131 260ch	chrome
	131 260mc	matte chrome



IMPORTANT SAFETY INSTRUCTIONS



1. Read all instructions!
2. Turn off power prior to any work on the fixture.
3. THIS PRODUCT MUST BE INSTALLED BY A PERSON FAMILIAR WITH THE CONSTRUCTION AND OPERATION OF THE PRODUCT AND THE HAZARDS INVOLVED, IN ACCORDANCE WITH THE APPLICABLE INSTALLATION CODE.
4. This wall display MUST BE HARD WIRED, 120v. For all the wire connections, use Listed Wire Nuts.
5. Total wattage of the fixture must never exceed the wattage supplied by the low voltage electronic transformer.
6. Please check that the total lamp wattage does not exceed 50W.
7. Secondary connections must be clean and tight to avoid arcing and overheating!
8. Warranty is void in case of unauthorized modifications and/ or improper use.

READ ALL OF THESE INSTALLATION INSTRUCTIONS BEFORE INSTALLING THE FIXTURE

Contents of Delivery:

SCORPIO WALL DISPLAY WITH TRANSFORMER - qty. (1)

Step 1.

The Scorpio Wall Display with Transformer must be mounted directly to a wall or ceiling J-box with access to the power cables.

- Begin by connecting the two wires from the transformer (A) to the power cables in the wall. Then slide the notched plastic washer (B) through the mounting screw (C). Insert the screw (C) into the mounting plate (D) and slide the plastic washer (E) onto the end of the screw. Align the screws (C) with the J-box and tighten until firmly connected.

- Place the canopy cover (F) over the mounting plate (D) and secure it with the allen screw (G) located on the side of the base.

- Insert a MR16 lamp into the Scorpio socket head (H) to complete the installation.

