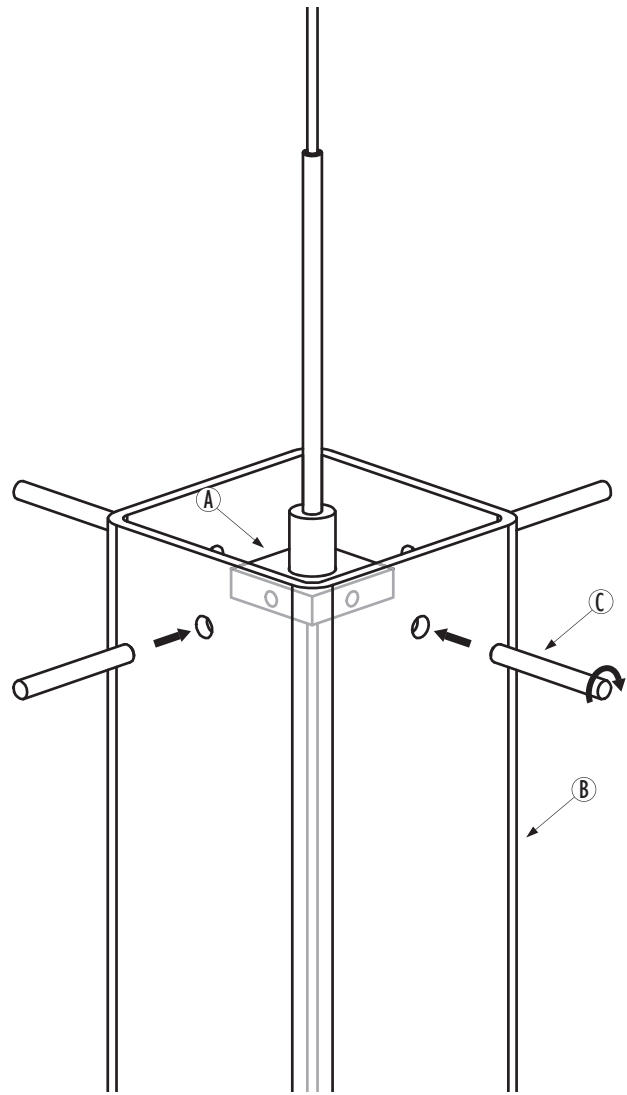


INSTALL GLASS

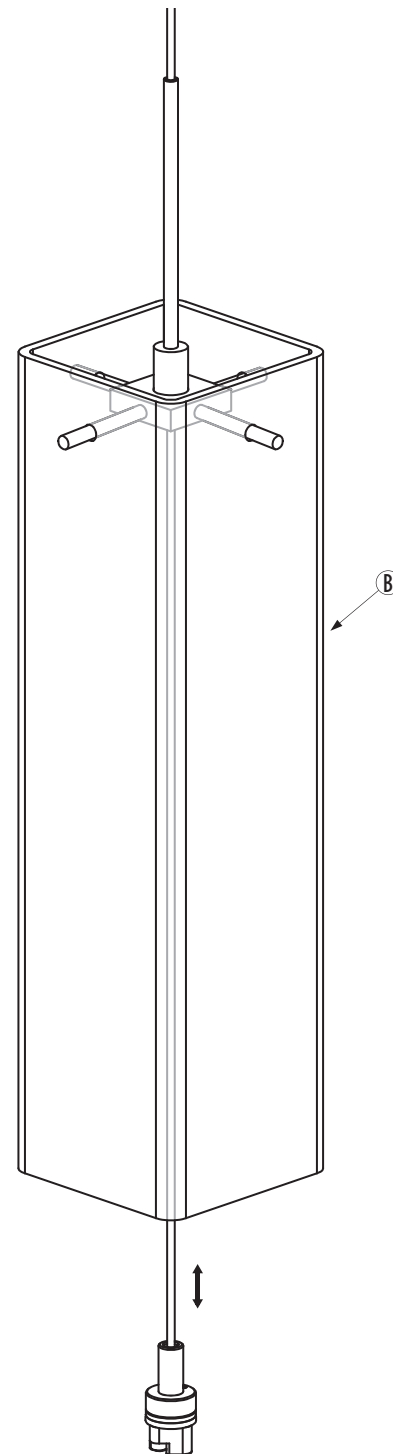
- To install glass, position square part (A) in center of glass (B) and align holes in glass (B) with holes on square part (A).
- Slide stems (C) through the glass into square part (A).



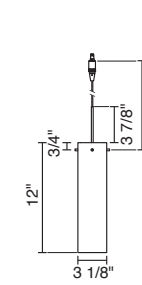
REPLACE LAMP

- To replace lamp turn off power.
- Lift the glass (B) after replacing lamp, carefully slide glass back onto conical.

NOTE: Glass does not hold in upper position and will slide back.



HOUSTON DOWN



221 850bz	bronze, white glass
221 850ch	chrome, white glass
221 850mc	matte chrome, white glass
221 851bz	bronze, vanilla glass
221 851ch	chrome, vanilla glass
221 851mc	matte chrome, vanilla glass
221 852bz	bronze, red glass
221 852ch	chrome, red glass
221 852mc	matte chrome, red glass
221 853bz	bronze, orange glass
221 853ch	chrome, orange glass
221 853mc	matte chrome, orange glass



IMPORTANT SAFETY INSTRUCTIONS



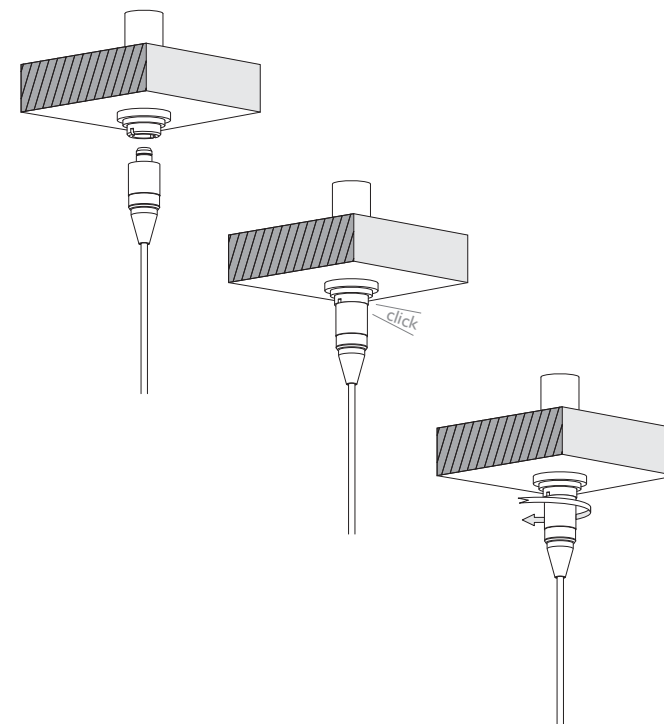
1. Save these instructions and refer to them when additions to or changes to the fixture are made.
2. Do not install this fixture in damp or wet locations.
3. CAUTION - Do not install any fixture assembly closer than 6 inches from any curtain, or similar combustible material.
4. Turn off power prior to any work on the systems.
5. Please check that the total lamp wattage does not exceed 50W or wattage specified by fixture.
6. Warranty is void in case of unauthorized modifications and/ or improper use.

READ ALL OF THESE INSTRUCTIONS BEFORE INSTALLATION

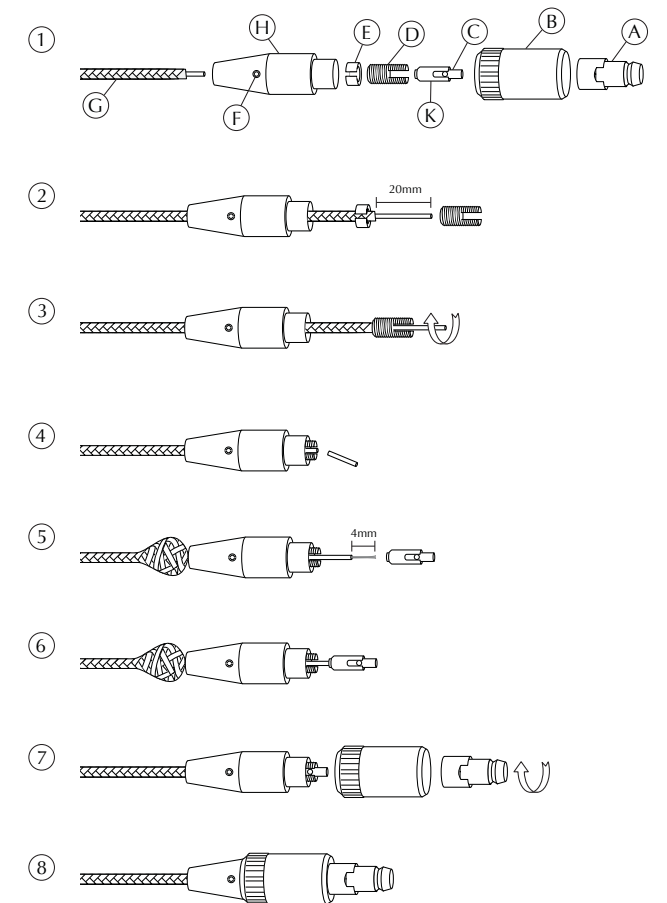
INSTRUCTIONS FOR USE

- Insert the lamp into the socket as far as it will go. Make sure the pin spacing and wattage are correct for your fixture.

- Mount the fixture to the canopy or adaptor by plugging in the Uni-Plug. The Uni-Plug will 'click' when properly inserted. Tighten the retaining collar to complete the installation (see diagram).



INSTALLATION INSTRUCTIONS



INSTRUCTIONS FOR USE

1. Disassemble the uni-plug by:
 - removing plug A with the hexagonal key.
 - removing the knurled screw B.
 - loosening screw C.
 - unscrew part D with the hexagonal screw.
 - loosening screw F.
 - pushing the cable G through the plug reception H.
 - removing the clamp conus E.
2. Shorten the cable G to the desired length. Push the clamp conus E on. Push the stranded exterior of the cable G so that the interior cable is exposed.
3. Place the cable G with clamp conus E into the plug reception H. Screw in the interior part D.
4. Cut the excess interior cable so that it is flush with part D.
5. Push the stranded cable G through the plug reception to re-expose the interior cable. Strip away 4mm of insulation away from the interior cable.
6. Attach screw plug with plastic sleeve K; fasten screw C firmly.
7. Pull the exterior cable G back. Push the screw plug with plastic sleeve K into the interior part D. Place the knurled nut on to the plug reception. Screw the plug A on and fasten it firmly.
8. Fasten the screw F.