

# INSTALLATION INSTRUCTION

## LED Step and Wall Lights

WL-LED100

# WAC LIGHTING

Responsible Lighting®

### WARNING

IMPORTANT: NEVER attempt any work without shutting off the electricity.

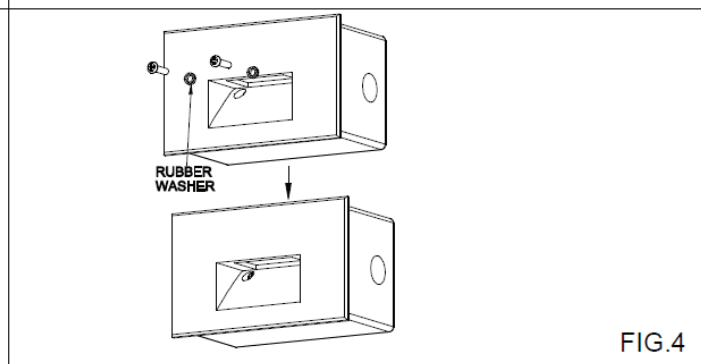
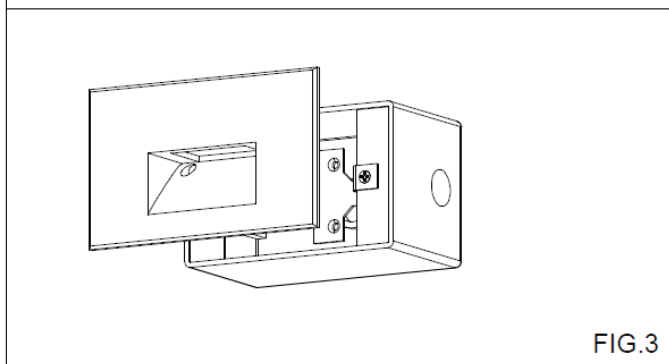
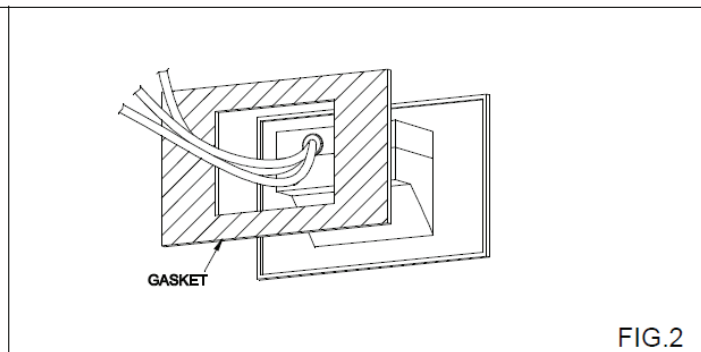
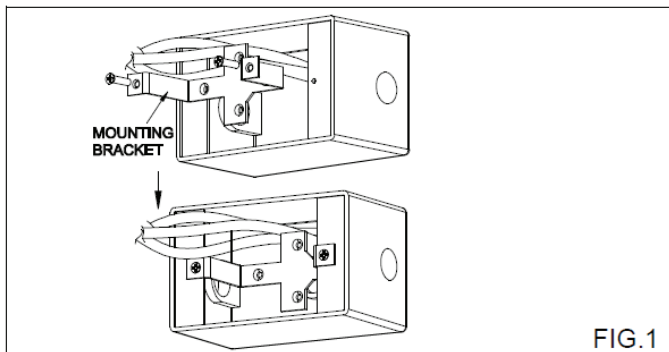
- Read all instructions before installing.
- System is intended for installation by a qualified electrician in accordance with the National Electric Code, and local regulations. Consult with local inspector to ensure compliance.
- To reduce the risk of fire, electrical shock and injuries to persons, turn off power at main switch before installing or modifying the system.
- Retain instructions for future maintenance reference.
- Not complying with instructions could result in failure of the fixtures, and void the warranty.

### INSTALLATION:

**JUNCTION BOX:** 2" x 4" boxes to have minimum inside dimensions of 3"H x 2"W x 2"D in order to accommodate fixtures.

**Note:** Actual depth of box to be determined in accordance with the NEC and local ordinances. Indoor or outdoor frame mounted junction box: Raco 2" x 4" (16.5 cu. In) or equivalent recommended. Outdoor surface mounted junction box: Red Dot deep weatherproof box Model S103E or equiv. recommended. Mortar or poured concrete installation: Use appropriate junction box suitable for that particular application

1. Install 2"x4" junction box, and ensure it is water-tight for outdoor use.
2. Secure mounting bracket to J-box using (2) 8-32 J-Box screws (J-box and screws by others) as shown in Fig.1.
3. Insert gasket onto the back of the fixture (Fig.2). **Note: For indoor installation, gasket is not required, and can be discarded.**
4. Connect the fixture wires to the junction box wires as follows: Black fixture wire to black (Hot) J-BOX wire, white fixture wire to white (Neutral) J-box wire, and green fixture wire to Ground. (See Fig.3)  
**Note: Multiple fixtures (up to 200) can be wired together in parallel: Hot to hot, and neutral to neutral.**
5. Place all wiring and connectors back in junction box and install the fixture.  
**Note: For outdoor installation, it is recommended that the installer run a bead of clear, outdoor-rated silicone (GE RTV-162 or equivalent, provided by others) caulk between gasket or back of fixture and mounting surface to prevent seepage of water into fixture.**
6. Secure the fixture to the surface using two mounting screws and two rubber washers provided. (See Fig.4)  
(Note: Fixture, mounting bracket, gasket, mounting screws, and rubber washers provided by WAC.)



WAC Lighting  
www.waclighting.com  
Phone (800) 526.2588 • Fax (800) 526.2585

Headquarters/Eastern Distribution Center  
44 Harbor Park Drive • Port Washington, NY 11050  
Phone (516) 515.5000 • Fax (516) 515.5050

Western Distribution Center  
1750 Archibald Ave • Ontario, CA 91761  
Phone (800) 526.2588 • Fax (800) 526.2585