

INSTALLATION INSTRUCTION

L Track Systems

LT2, LT4, LT6, LT8

WAC LIGHTING

Responsible Lighting®

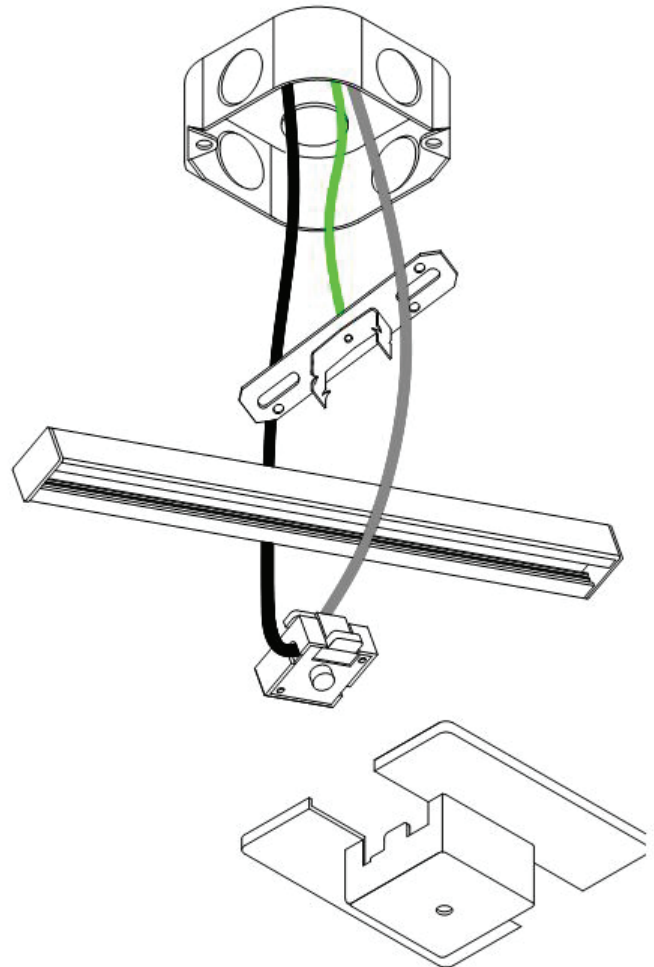
SAFETY INSTRUCTION

- Read all of these instructions before installing the track system.
- Turn off power at main switch before installing or modifying the system.
- Do not install within six inches of any curtain or combustible materials.
- Do not install less than 5 feet above a floor.
- Do not install in damp or wet locations.
- Do not install concealed, or extended through building walls.
- Do not attempt to energize anything other than a track light fixture.
- Do not connect a track to more than one branch circuit. Although track light systems may seem to operate acceptably, a dangerous overload of the neutral may occur and result in a risk of fire.
- Check with a qualified electrician before wiring.
- All installation shall be in accordance with NEC and all local codes
- Save these installation instructions and refer to them when additions or changes to the track configuration are made.

ELECTRICAL FEED FROM A JUNCTION BOX WITH FLOATING CANOPY

The floating canopy covers a junction box and brings power to the track anywhere along its length.

1. Make sure power is off.
2. Secure cross bar to the junction box.
3. Hold track to the ceiling and mark the position of mounting holes.
4. Secure track between the scratch brackets located on the cross bar.
5. Mount track to ceiling following track mounting instructions (see track mounting section).
6. Note the polarity of the track (a ridge running along the length) Note the slant on the locking tab of the adapter. Turn the electrical adapter 90° so the low side faces the ridge. Route wires along the side of track into the junction box.
7. Connect neutral (white) and hot (black) wires from the ceiling with their respective wires from the track adapter, with wire nuts (supplied).
8. Connect ground wire from ceiling to green grounding wire from adapter, with a wire nut (supplied).
9. Tuck excess wire back into the junction box.
10. Replace canopy cover and secure with screw.



WAC Lighting
www.waclighting.com
Phone (800) 526.2588 • Fax (800) 526.2585

Headquarters/Eastern Distribution Center
44 Harbor Park Drive • Port Washington, NY 11050
Phone (516) 515.5000 • Fax (516) 515.5050

Western Distribution Center
1750 Archibald Ave • Ontario, CA 91761
Phone (800) 526.2588 • Fax (800) 526.2585

INSTALLATION INSTRUCTION

L Track Systems

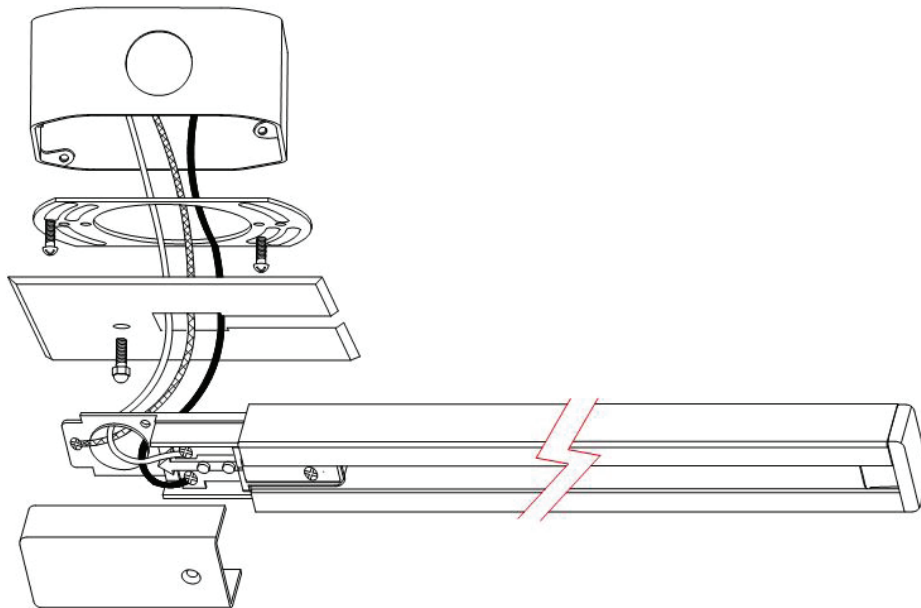
LT2, LT4, LT6, LT8

WAC LIGHTING

Responsible Lighting®

LIVE END ELECTRICAL FEED OVER A JUNCTION BOX

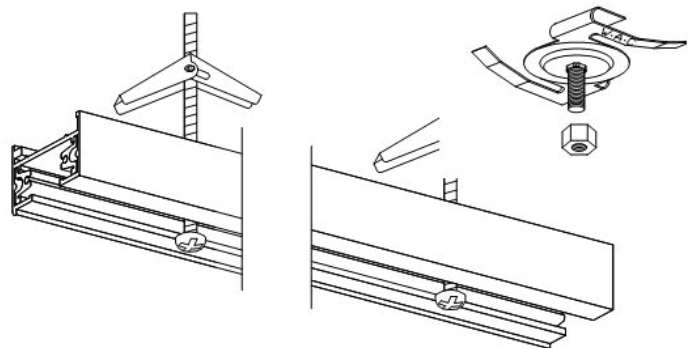
1. Make sure power is off.
2. Note the polarity indicator ridge of the track. The live end can only be installed on one end. Brace the track end cap (opposite the live end) against a solid surface, and insert live end. This is important to achieve good electrical contact.
3. Position live end over center of junction box. Mark track-mounting holes.
4. Remove live end cover and pry out the knock out hole.
5. Use a canopy plate "CP". Attach mounting plate to junction box. Note plate has threaded screw holes, the remaining screw will fit in a slotted hole to permit positioning. The plate will protrude slightly beyond the junction box, but will be covered when completed.
6. Connect neutral (white) wire to the silver screw terminal on the live end marked "N" and Hot (black) wires to the brass colored screw terminal marked "A" on the live end.
7. Connect Ground wire to green wire or screw terminal on the live end. Tuck any excess wire back into the junction box.
8. Replace live end cover and secure with screw.



LIVE END ELECTRICAL FEED OVER A JUNCTION BOX

1. Raise track assembly to ceiling. Mark mounting hole locations. Track support points should be not more than 4' apart. Use a minimum of two support points for 2' and 4' track and three for 6' and 8' track.
2. Drill ceiling holes suitable for the fasteners you intend to use. Toggle wings (supplied) require 1/2 inch holes.
3. If additional holes in track are needed, drill 5/32" holes through the centerline of track (locate holes at least 6" in from track ends).
4. Insert bolts through track, and into the toggle wings, tighten 2 or 3 turns.
5. Push toggle wings into ceiling holes. Do not fully tighten toggle bolts until all electrical connections are made.

Use "T" bar clip for grid ceilings.



WAC Lighting
www.waclighting.com
Phone (800) 526.2588 • Fax (800) 526.2585

Headquarters/Eastern Distribution Center
44 Harbor Park Drive • Port Washington, NY 11050
Phone (516) 515.5000 • Fax (516) 515.5050

Western Distribution Center
1750 Archibald Ave • Ontario, CA 91761
Phone (800) 526.2588 • Fax (800) 526.2585

INSTALLATION INSTRUCTION

L Track Systems

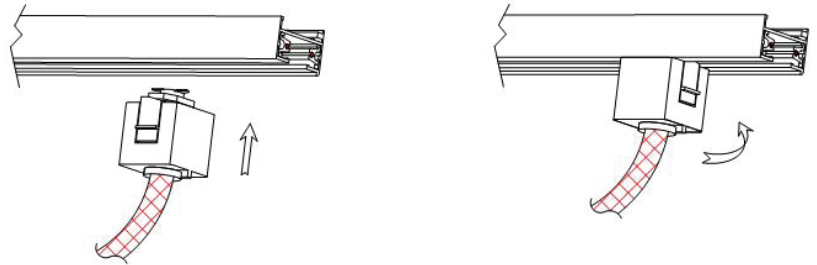
LT2, LT4, LT6, LT8

WAC LIGHTING

Responsible Lighting®

LIVE END ELECTRICAL FEED OVER A JUNCTION BOX

1. Note the track has a ridge running its length to indicate polarity.
 2. Note the slant of the locking tab.
 3. Insert adapter into track slot and rotate it 90° so that the low side of the locking tab faces the ridged side of the track.
 4. Make sure the locking tab sits in the track slot.
 5. Removal is the reverse procedure. Tracks heads may be positioned anywhere along the track length.
- Note:** "L" series track accepts only W.A.C. track heads.



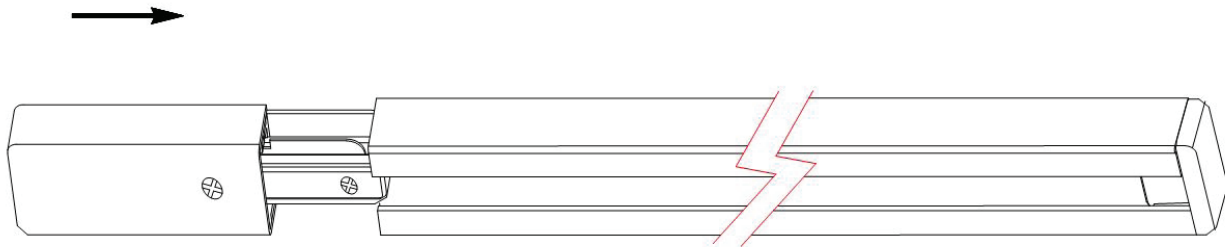
FIELD CUTTING TRACK

Track is easily field cut for the purposes of shortening the track, however field cutting and then joining to other connectors requires additional track modification. Read the steps first to determine if "L" track will be practical for your application.

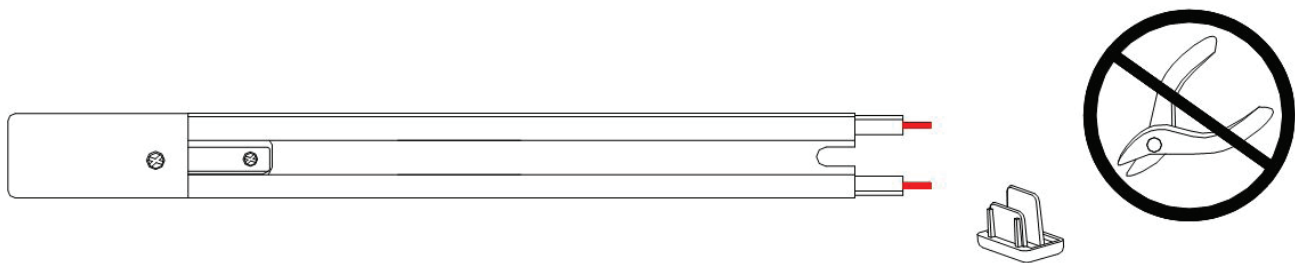
Measure the length of track needed, allow for the length of the live end or other connector.

Work at floor level. Note the polarity of the track (the ridge running along one side) Identify the side that accepts the live end connector.

1. Brace the opposite end of track against a solid surface. Insert the live end and secure by tightening the screw.



2. Do not allow bus wires and insulation to protrude from the end and do not cut the wires and push insulation back into the track.



WAC Lighting
www.waclighting.com
Phone (800) 526.2588 • Fax (800) 526.2585

Headquarters/Eastern Distribution Center
44 Harbor Park Drive • Port Washington, NY 11050
Phone (516) 515.5000 • Fax (516) 515.5050

Western Distribution Center
1750 Archibald Ave • Ontario, CA 91761
Phone (800) 526.2588 • Fax (800) 526.2585

INSTALLATION INSTRUCTION

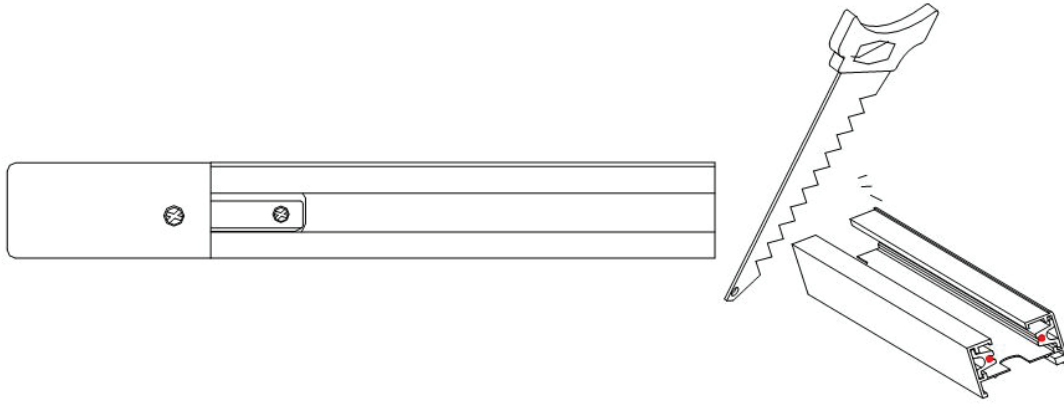
L Track Systems

LT2, LT4, LT6, LT8

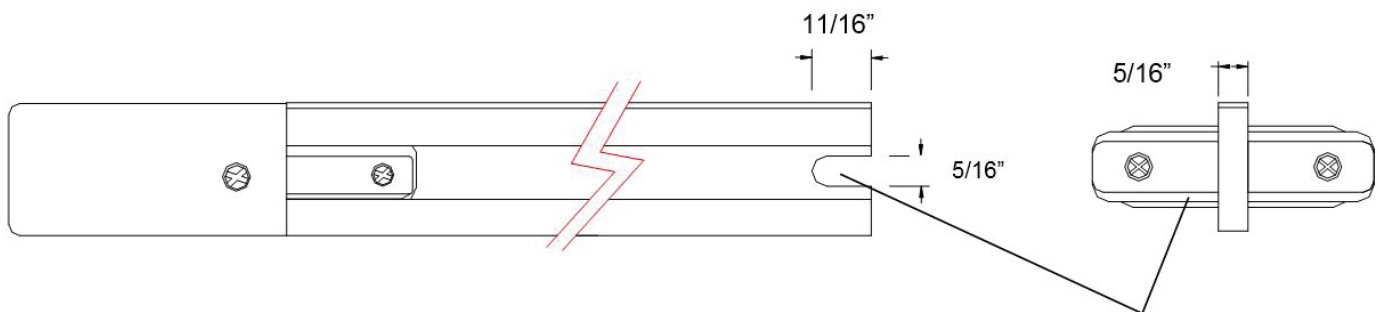
WAC LIGHTING

Responsible Lighting®

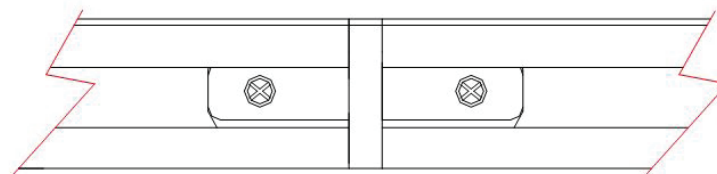
3. Make a flush cut through track with a fine-toothed hacksaw. File any rough edges or flash. Brush out any remaining filings. Insert end cap and secure the screw. This completes field-shortening procedure. If you wish to connect track to other connectors such as an "L," "T," or "I" continue with step 4 below.



4. **Note:** The finished ends of track have grooves cut in the center section to allow clearance for the stop in the mating connector. It is necessary to reproduce this groove if the track is to be mated to another connector. Note dimensions of the groove below, mark track with a pencil and use a hack saw to cut two lines in the aluminum. Break out the tab and file the edges. Thoroughly brush away metal filings.



The groove in the end of track allows clearance for the stops on the connector.



Assembled

Retain instructions for future reference

WAC Lighting
www.waclighting.com
Phone (800) 526.2588 • Fax (800) 526.2585

Headquarters/Eastern Distribution Center
44 Harbor Park Drive • Port Washington, NY 11050
Phone (516) 515.5000 • Fax (516) 515.5050

Western Distribution Center
1750 Archibald Ave • Ontario, CA 91761
Phone (800) 526.2588 • Fax (800) 526.2585