

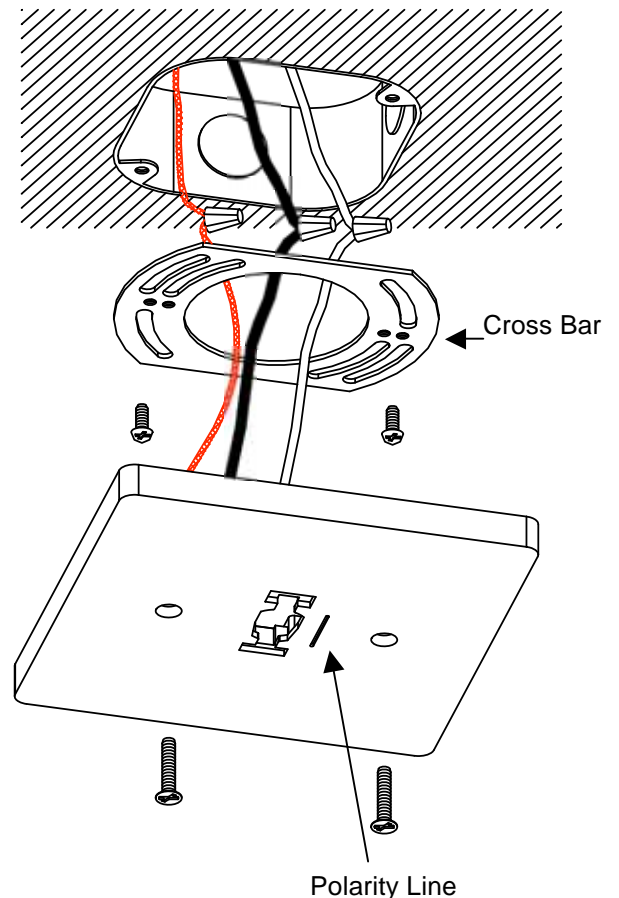
INSTRUCTIONS: HMP MONOPOINT

- **CAUTION:** Always turn off power at main switch prior to installation to prevent electrical shock.
- Do not install in damp or wet locations.
- Do not attempt to energize anything other than a track lighting fixture.

Overview:

The HMP Monopoint attaches to a junction box and accepts any "H" series line volt and low voltage track head.

1. Attach the cross bar to a junction box using the screws supplied with the J-box. The screws go through the slotted holes to allow for adjustment.
2. Connect wires from the monopoint to the ceiling wires using wire nuts (not supplied). White wire joins to white, black to black. The bare copper ground wire joins to either a bare or green wire from the ceiling, or may be attached to a metal junction box.
3. Secure the monopoint cover to the cross bar using the colored screws (supplied).



Installing Track Heads:

Note: on one side of the monopoint the opening is identified with a line, this indicates the side with two contacts, to correspond to the contacts on the track head.

Mount track head as you would to a track head. Pull down on the adapter case while pushing the contacts into the opening and turning 90 degrees.