

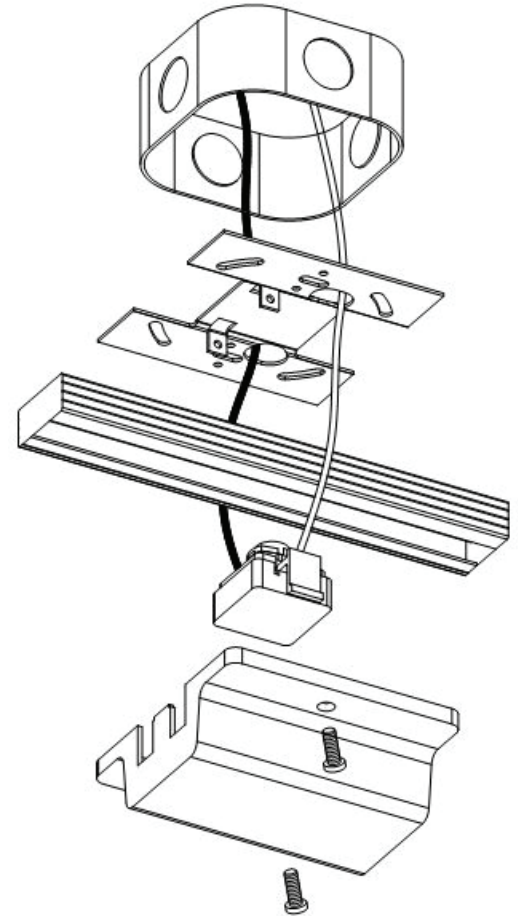
INSTALLATION INSTRUCTION
H/L/J Track Systems Floating Canopy
HFC/LFC/JFC

WAC LIGHTING
Responsible Lighting®

CAUTION: Always turn off power at main switch prior to installation to prevent electrical shock.

The floating canopy covers a junction box and supplies power anywhere along the length of track. The adapter installs into track in much the same way as a track head. Wire connections are accomplished with wire nuts.

1. Position the mounting plate under the junction box so that the screw tabs are on the bottom side of the plate. Draw the wires up through each of the large holes on the mounting plate and make connections to wires from the junction box. Use wire nuts (provided) to secure connections. Make certain to connect black wire to black and white to white. Green grounding wire may be fastened to a grounded box or directly to a ground wire. Push wires back into the box.
2. Secure the mounting plate to the junction box. The track screw tabs should be facing downward. Loosen the screws in preparation for the track.
3. Note the groove indicating polarity on one side of the track, this is the side with two bus wires, which will correspond to the contacts on the track adapter. Raise the track into position and insert the track adapter into the track with a quarter turn. Hide excess wire in junction box. Secure track to mounting plate by tightening screw tabs. Secure the remaining track to the ceiling.
4. Replace canopy cover and secure with two screws.



wacighting.com
Phone (800) 526.2588
Fax (800) 526.2585

Headquarters/Eastern Distribution Center
44 Harbor Park Drive
Port Washington, NY 11050

Central Distribution Center
1600 Distribution Ct
Lithia Springs, GA 30122

Western Distribution Center
1750 Archibald Avenue
Ontario, CA 91760