

Dual Power Feed Canopies

700MOP_C40_

1.8



POWER FEED CANOPIES

GENERAL PRODUCT INFORMATION:



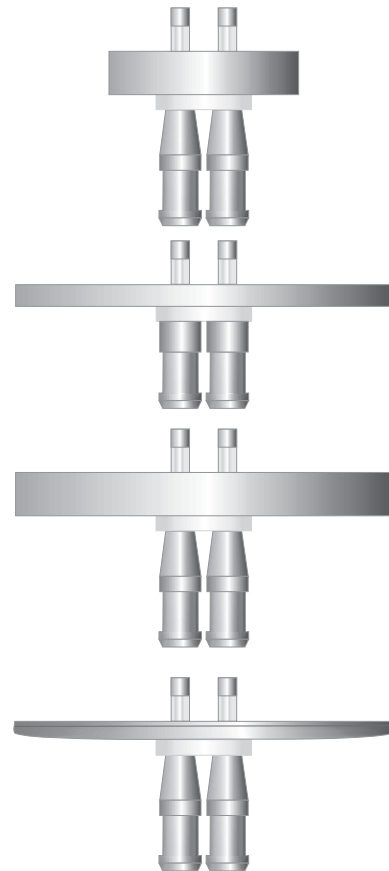
This fixture is intended to be installed utilizing NEC compliant junction boxes with a minimum depth of 2".

Minimum volume of the junction box must be 6 cubic inches (98 cubic centimeter).

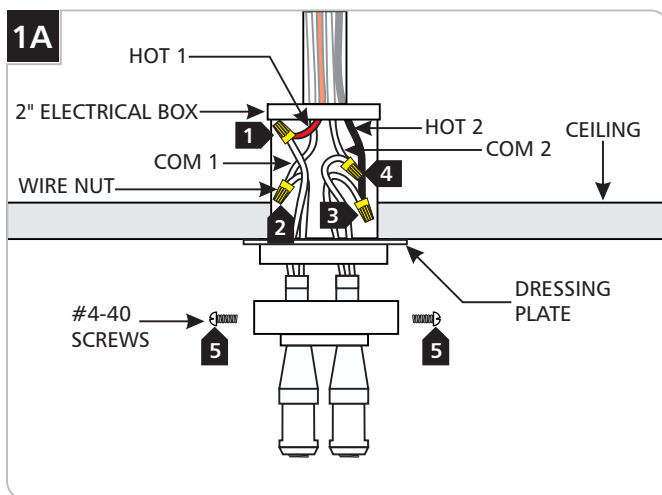
This product is suitable for indoor dry locations only.

NOTE: The remote transformer should be installed prior to these steps. Refer to the instructions provided with the remote transformer.

NOTE: When extending the MonoRail power feed canopy, refer to the instructions provided with the power feed extenders before following the steps below.



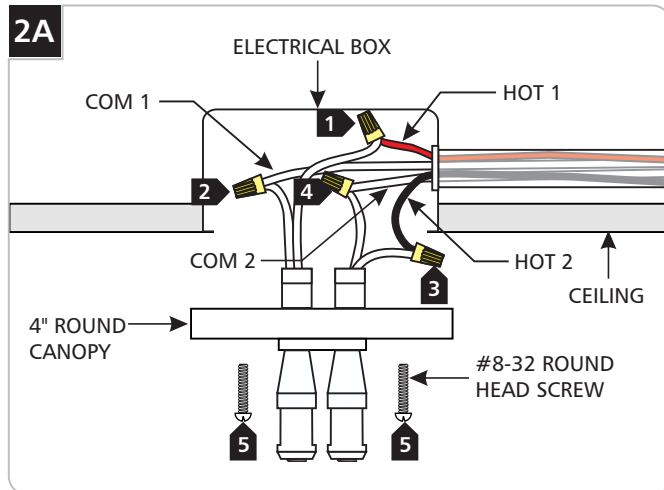
Install the 2" Square Power Feed Canopy



- 1 Starting with one post, connect the center wire to the conduit wire marked "HOT 1" with a wire nut.
- 2 Connect the side wire to the conduit wire marked "COM 1" with a wire nut. This post will power one feed of the MonoRail.
- 3 Connect the center wire of the other post to the conduit wire marked "HOT 2" with a wire nut.
- 4 Connect the side wire to the conduit wire marked "COM 2" with a wire nut. This post will power the other feed of the MonoRail.
- 5 Mount the 2" square canopy to the power feed electrical box with the two #4-40 screws.

NOTE: The 2" Electrical box should be installed prior to these steps. Refer to the instruction provided with the 2" electrical box.

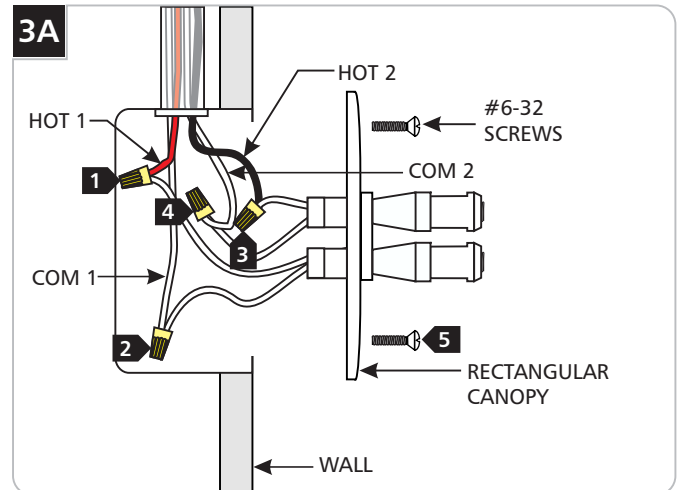
Install the 4" Round Standard and Low-Profile Power Feed Canopy



- 1 Starting with one post, connect the center wire to the conduit wire marked "HOT 1" with a wire nut.
- 2 Connect the side wire to the conduit wire marked "COM 1" with a wire nut. This post will power one feed of the MonoRail.
- 3 Connect the center wire of the other post to the conduit wire marked "HOT 2" with a wire nut.
- 4 Connect the side wire to the conduit wire marked "COM 2" with a wire nut. This post will power the other feed of the MonoRail.
- 5 Mount the 4" round power feed canopy to the electrical box with the two #8-32 screws.

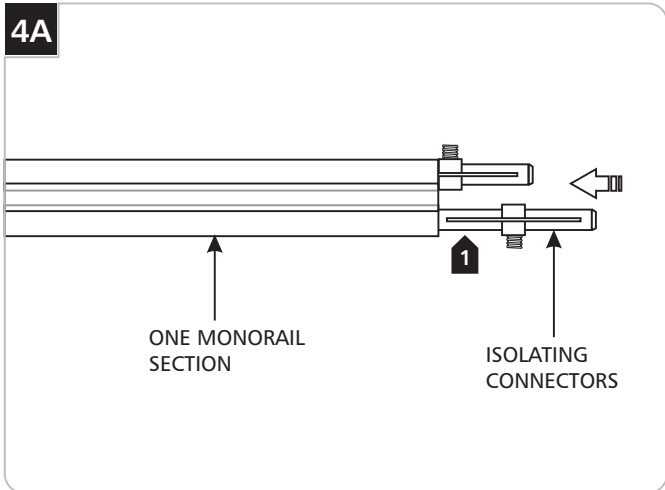
NOTE: Use the provided universal round crossbar when the canopy holes do not line up with the electrical box holes.

Install the Rectangular Power Feed Canopy

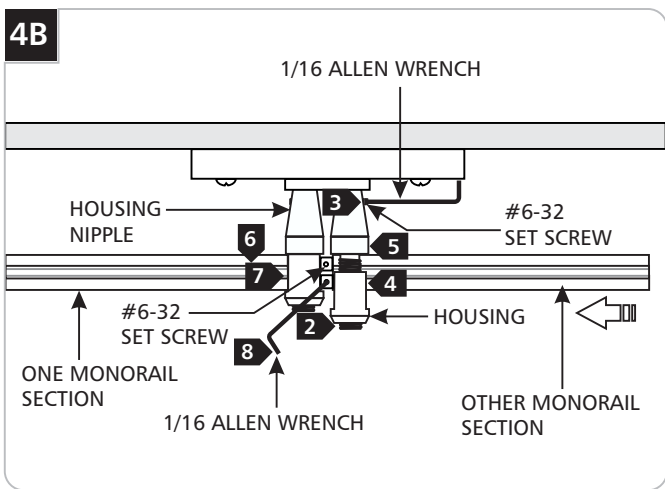


- 1 Starting with one post, connect the center wire to the conduit wire marked "HOT 1" with a wire nut.
- 2 Connect the side wire to the conduit wire marked "COM 1" with a wire nut. This post will power one feed of the MonoRail.
- 3 Connect the center wire of the other post to the conduit wire marked "HOT 2" with a wire nut.
- 4 Connect the side wire to the conduit wire marked "COM 2" with a wire nut. This post will power the other feed of the MonoRail.
- 5 Mount the rectangular power feed canopy to the electrical box with the two #6-32 screws.

Connecting the MonoRail to the Power Feed Canopy

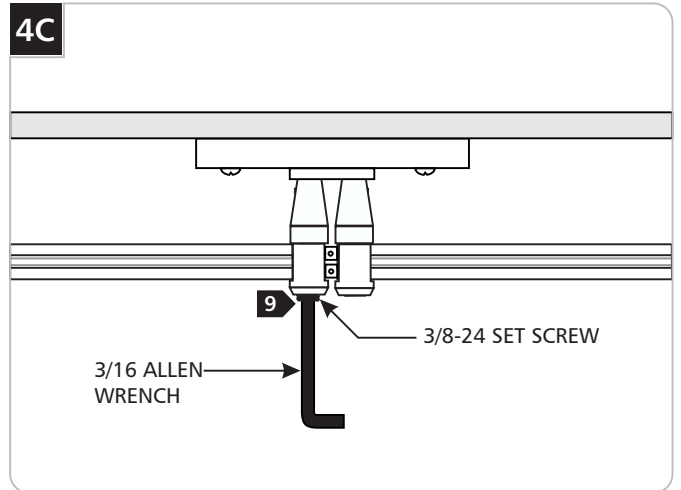


1 Insert the MonoRail isolating connectors completely into one MonoRail section.



- 2** Unscrew the housings from the housing nipples.
- 3** Loosen the #6-32 set screws on both housing nipples with the 1/16 Allen wrench.
- 4** Place the MonoRail with the isolating connectors into one housing. Make sure that metal section of the MonoRail end does not stick out beyond the housing.

Screw the housing nipple to the housing tight.
- 6** Push the other MonoRail section completely onto the isolating connectors.
- 7** Place the other housing onto the MonoRail. Screw the housing nipple to housing tight.
- 8** Make sure that the isolating connectors are located in the middle between the two housings. Tighten the #6-32 set screw on the isolating connectors with the 1/16 Allen wrench.



9 Tighten the 3/8-24 set screw on the bottom of the housings with the 3/16 Allen wrench.

SAVE THESE INSTRUCTIONS!



7400 Linder Ave, Skokie, IL 60077

847.410.4400

www.techlighting.com

© 2016 Tech Lighting, L.L.C. All rights reserved. The "Tech Lighting" graphic is a registered trademark of Tech Lighting, L.L.C. Tech Lighting reserves the right to change specifications for product improvements without notification.

A Generation Brands Company