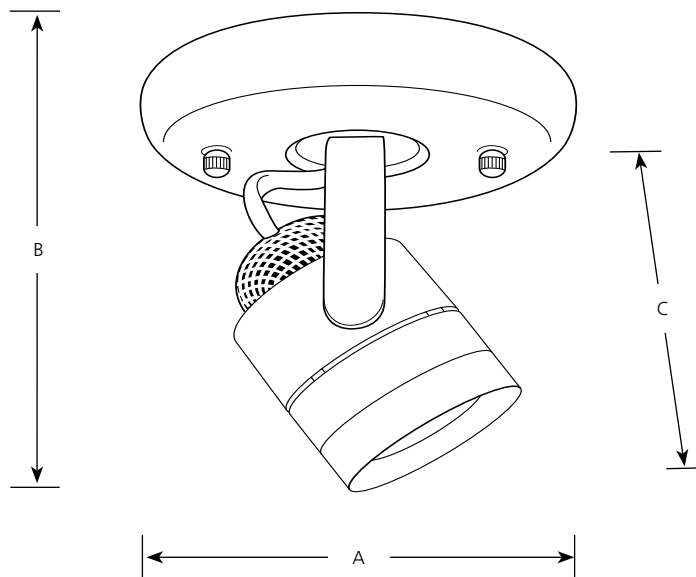




Type \_\_\_\_\_  
 -09WB -30WB -174WB  
 P6146

Catalog No.	Finish				Lamping	Dimensions (Inches)		
	Brushed Nickel	White	Urban Bronze			A	B	C
P6146	-09WB	-30WB	-174WB		1-50w MR16 (incl.)	5	5	5



**Specifications:**

General

- Solid (P6145) or pin hole (P6146) round back styles
- Plated Brushed Nickel (-09) and painted white (-30) And Urban Bronze finishes
- 180 degree vertical and 360 degree horizontal adjustment.
- Matching three lamp units available. Also a two lamp for the solid round back.
- Steel construction

Mounting

- Wall or ceiling mounted
- Canopy covers a standard recessed 4" octagonal outlet box
- Mounting strap for outlet box included

Electrical

- 120v 50w MR16 lamps included with fixture
- GU10 based socket
- Pre-wired

Labeling

- UL-CUL listed