

INSTALLATION INSTRUCTIONS

For Model # P8027-084 (Rev. 09/20/2012)

WARNING! SHUT POWER OFF AT FUSE OR CIRCUIT BREAKER.
AVERTISSEMENT! COUPER LE COURANT AU NIVEAU DES FUSIBLES OU DU DISJONCTEUR.

HANGING THE FIXTURE (Fig. 1)

1. Shut off power at the circuit breaker and remove old fixture including the mounting hardware.
2. Carefully remove the fixture from the carton and check that all parts are included as shown in the illustration.
3. Position Reinforcement Plate (B) on ceiling, and mark location of two mounting holes. Drill the holes on the ceiling and insert the Drywall Anchor (C) into the holes.
4. Attach the Reinforcement Plate (B) to the Outlet box in the ceiling with two screws (E). The side of the Circular Strap marked "GND" must face out.
5. Place the Wood Screw (D) through the keyhole into the Plastic Anchor (C) secure the Reinforcement Plate (B).
6. Determine desired distance from ceiling to hang the Fixture. (Do not mount less than 4 inches from ceiling). Loosen the Caps screw (K), Run the Wire Cord through Metal Sleeve (J) and cut redundant wire, and then Place the wire end into the Metal (L) using the one small Hex Nut to tighten it. And secure the other big Hex Nut on Metal Sleeve (J). Put the Caps screw (K) to wrap it.

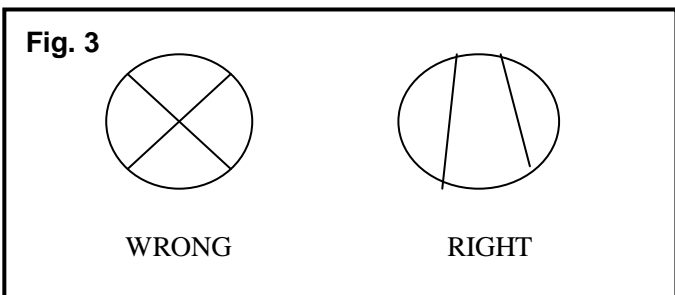
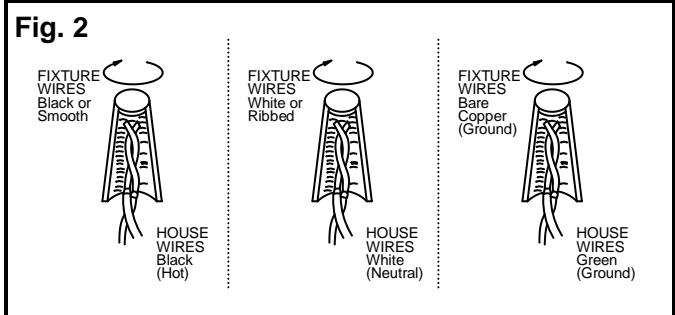
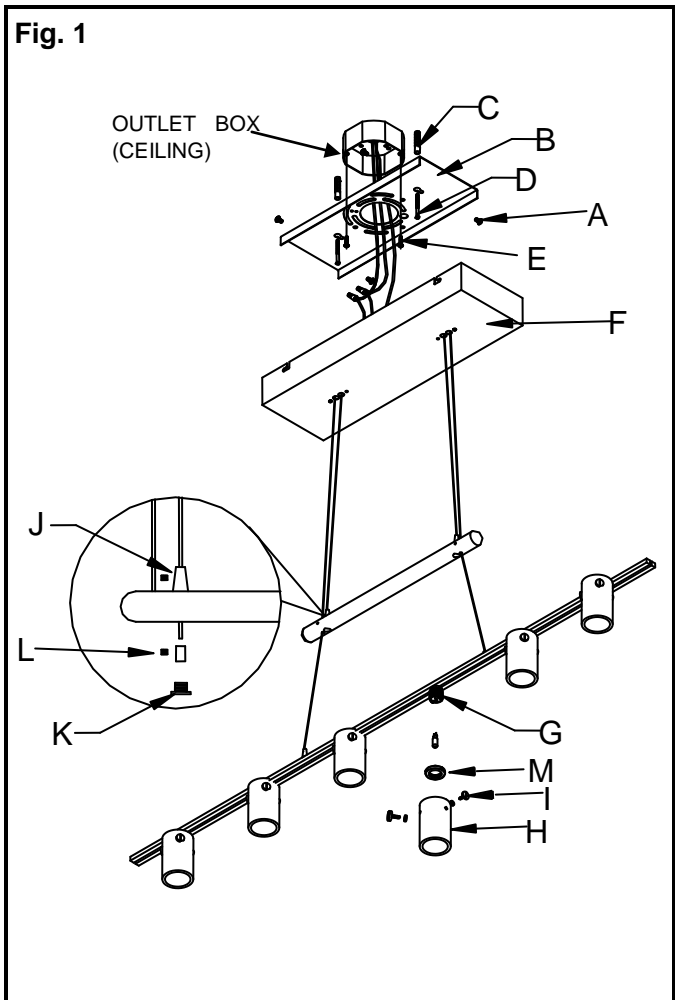
CONNECTING THE WIRES (Fig. 2)

7. At this point, connect the electrical wire as shown in figure 2, making sure that all wire connectors are secured. If your outlet has a ground wire (green or bare copper), connect the fixtures Ground Wire to it. Otherwise, connect the fixture Ground Wire directly to the crossbar using the Green Screw provided.
8. Place Canopy (F) over the Reinforcement Plate (B). Turn the Canopy (F) and let the Screw (A) slide into the slot of Canopy (F). Tighten the Screw (A).
9. Install Xenon bulb into socket in accordance with the fixture's specifications. (**DO NOT EXCEED THE MAXIMUM WATTAGE RATING!**) (**NE PAS DEPASSER LA PUISSANCE NOMINALE MAXIMALE!**)
10. Loosen the metal ring (M) from socket (G), align the holes on the metal ring (M) and Glass shade (H) and secure them by three screws (I). Place glass shade (H) onto the socket.

Your installation is now complete. Return power to the junction box and test the fixture.

WARNING!

1. The wire has positive and negative power cords. To avoid short circuit, please don't intercross wire. (See Fig. 3)
2. Avoid swing for children!



IMPORTANT: FIXTURE SHOULD BE INSTALLED BY A QUALIFIED ELECTRICIAN TO ENSURE PROPER WIRING AND INSTALLATION.

LA-1212E

