

LIGHTWATT 3D LIGHTING

Cat. #		Approvals
Job	Type	



APPLICATIONS

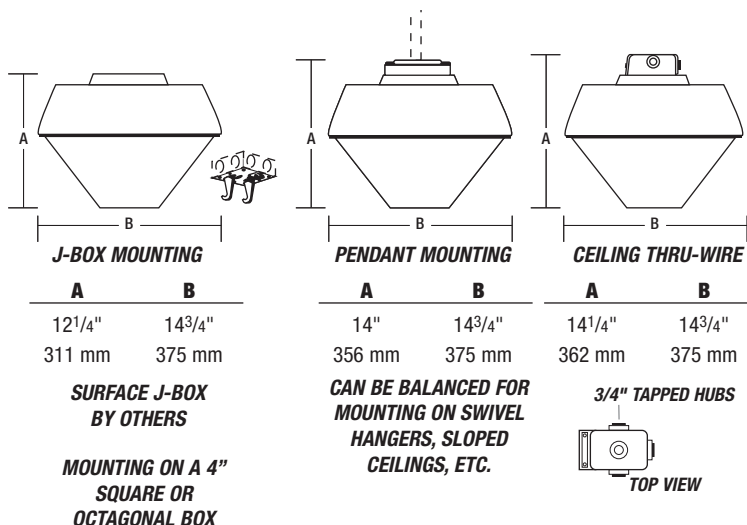
- For applications where low ceilings are present.
- Warehouses, shipping docks, stairwells and parking garages.

SPECIFICATIONS

- 1.9:1 spacing-to-mounting height ratio.
- Up to 93% efficient unit.
- J-box, pendant or ceiling mount.
- 70 to 175 watt metal halide, Pulse Start metal halide, or high pressure sodium.

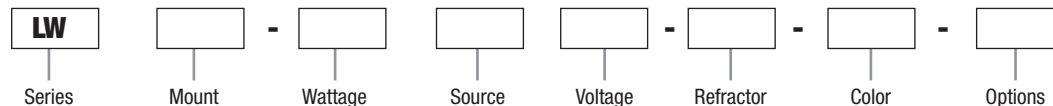
LISTINGS

- Available as wet, damp location rated from 70 to 175 watts, minimum 90°C supply conductors.



ORDERING INFORMATION

ORDERING EXAMPLE: LWJ-175S8-A-WH-XX



SERIES

LW Lightwatt¹

MOUNT

J J-Box (damp location)²
P Balanced Pendant (wet location)
C Ceiling Thru-Wire (wet location)
B Pipe Wall Bracket (wet location)
S Stanchion/Davit (wet location)

WATTAGE

070 70 watt - Pulse Start MH, HPS, Electronic (55°C)
100 100 watt - Pulse Start MH, HPS, Electronic (50°C)
150 150 watt - Pulse Start MH, HPS, Electronic³ (40°C)
175 175 watt - Pulse Start MH, (35°C)

SOURCE

S High Pressure Sodium
P Pulse Start Metal Halide
EB Electronic Ballast⁴

VOLTAGE

5 480 volt
6 Tri-Tap⁵ 120/277/347V
8 Quad-Tap⁵ 120/208/240/277V
F 347 volt

REFRACTOR

A Acrylic
P Polycarbonate

COLOR

WH White Lektrocote[®] (standard)
GR Gray Lektrocote[®] (optional)

OPTIONS

-CHLPXHLPX⁴ 2' Cord, Hook/Loop, & 20A Twist-Lock[®] Plug⁵
-F(X) Fusing (X indicates voltage)
-LA Latched Refractor
-LL Less Lamp
-LTP Tamper Resistant Screws
-QSS Quartz Standby, includes 150W lamp
-QST Quartz Time Delay, includes 150W lamp

¹ Includes lamp.
² Fast-Lock J-Box mounting-recessed J-Box requires installation of the included 1¹/₂" extension ring (supplied).
³ Not available with J-Box mount.
⁴ EB is 120-277V, no voltage selection required.
⁵ For voltage, replace second X with 1 - 120V, 2 - 208V, 3 - 240V, 4 - 277V, 5 - 480V, 6 - 347V.

WATTAGE	MAX AMBIENT TEMPERATURE CHART MAX TEMP	
	MH	HPS
70	55°C	55°C
100	50°C	50°C
150	40°C	40°C
175	35°C	-

Due to our continued efforts to improve our products, product specifications are subject to change without notice.



Industrial Lighting

Hubbell Industrial Lighting • 701 Millennium Boulevard • Greenville, SC 29607 • PHONE: 864-678-1000
 For more information visit our web site: www.hubbell-ltg.com