

**Perlick®** 24" ADA-COMPLIANT SERIES  
Beverage Center



eco friendly  
R600a Refrigerant



|           |  |
|-----------|--|
| JOB       |  |
| AREA      |  |
| ITEM NO.  |  |
| MODEL NO. |  |



Glass Door Model



Solid Door Model

| MODELS        | DESCRIPTION   |
|---------------|---|
| HA24BB-4-1R/L | Indoor ADA Beverage Center Solid Stainless Steel Door |
| HA24BB-4-2R/L | Indoor ADA Beverage Center Solid Panel Ready Door     |
| HA24BB-4-3R/L | Indoor ADA Beverage Center Stainless Steel Glass Door |
| HA24BB-4-4R/L | Indoor ADA Beverage Center Panel Ready Glass Door     |

**KEY PRODUCT FEATURES AND BENEFITS**

- Industry's largest selection of ADA compliant models for accessible and aging in place designs
- 800 BTU/hr capacity delivers commercial grade cooling performance
- Variable speed compressor minimizes sound, up to 30% quieter than competitors
- Commercial-grade all stainless steel interior provides superior durability and easy cleaning; black vinyl exterior for built in applications
- Wine and refrigerator shelves fully extend on vibration dampened, stainless steel ball-bearing glides; stainless steel wine shelves will not absorb odors over time

**Quick Features:**

- Industry's best full 6 year warranty for owner ease of mind
- Available with stainless steel or panel ready door to match your design style
- Audible door alarm warns user if door is held open
- Selectable blue or white LED lighting
- R600a Natural Refrigerant offers maximum energy efficiency with zero ozone depletion potential
- Storage for up to 62 cans and 16 bottles of wine



**24" ADA-COMPLIANT SERIES**  
*Beverage Center*

| MODEL NUMBERS                    |                             | HA24BB   |
|----------------------------------|-----------------------------|--|
| MODEL DESCRIPTION                |                             | Indoor Beverage Center   |
| ATTRIBUTES                       |                             |  |
| Perlick Anti-Condensation System |                             | NO   |
| Energy Star Certified            |                             | YES  |
| OVERALL DIMENSIONS               | Width - in. (mm)            | 23-7/8" (606 mm)   |
|                                  | Depth - in. (mm)            | 24" (610 mm)   |
|                                  | Height - in. (mm)           | 32" (813 mm)   |
| OPENING DIMENSIONS               | Width - in. (mm)            | 24" (610 mm)   |
|                                  | Depth - in. (mm)            | 24-7/8" (632 mm)   |
|                                  | Height - in. (mm)           | 32-1/4" (819 mm)   |
| INTERNAL VOLUME Net. Cu. Ft.     |                             | 4.8 cu. ft total   |
| SHIPPING WEIGHT Lbs. (kg.)       |                             | 181 lbs (82.27 kg)   |
| ELECTRICAL SPECIFICATIONS        | Electrical Supply           | XXX VAC/XX Hz/X Ph   |
|                                  | Running Load Amps           | 2.2 amps   |
|                                  | Electrical Connection       | Cord connected   |
|                                  | Cord Plug Type              | NEMA 3 Prong 5-15P   |
|                                  | Cord Length                 | 6'   |
|                                  | Defrost Initiation          | Automatic  |
|                                  | Defrost Type                | Off cycle  |
|                                  | Thermostat                  | Digital  |
| REFRIGERATION SPECIFICATIONS     | Refrigerant                 | R600a (50g)  |
|                                  | Expansion Device            | Capillary Tube   |
|                                  | Temperature Settings F°(C°) | 33° (0.5°) - 48° (8.8°)<br><b>Factory Set Point 36° (2.2°)</b> |
|                                  | Heat Rejection (at 75°F)    | 450 BTU/hr   |
|                                  | Pull Down Capacity          | 800 BTU/hr   |
|                                  | Front Vented                | Yes  |
| PLUMBING                         |                             | None Required  |

*Installation Notes: To achieve 24" install depth, place electrical connection adjacent to the installation cavity.*

**ACCESSORIES**

| MODEL NOS. | DESCRIPTION                                      |
|------------|--|
| (L)        | Factory Installed Lock                           |
| 67164      | 6" Toe Kick Kit (includes riser) for HA24 models |
| 66736      | Caster Kit for HP24/HC24/HA24 models             |
| RS-24-24D  | Divider Shelf for HP24/HC24/HA24 models          |

Perlick accessories are available for purchase through an authorized Perlick dealer. For a full list of accessories and to find a dealer near you, visit [perlick.com](http://perlick.com).

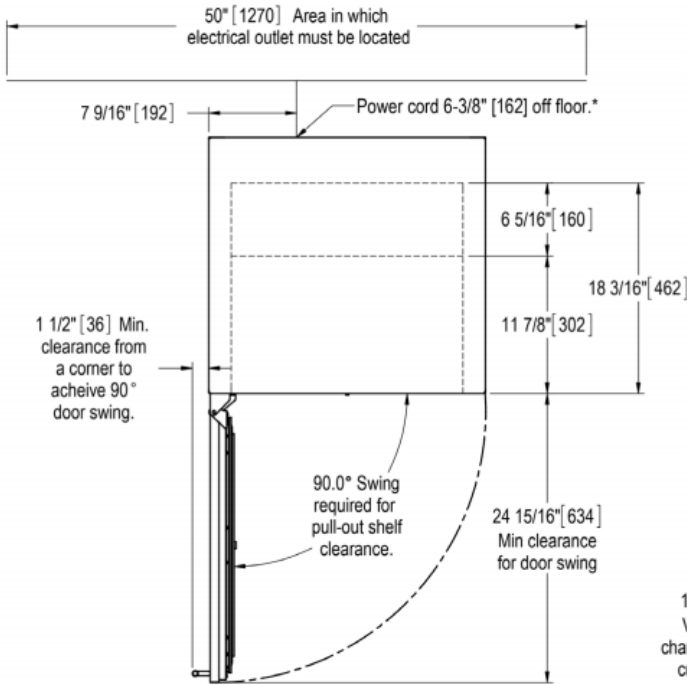


**24" ADA-COMPLIANT SERIES**  
*Beverage Center*

| CUSTOMER MODEL NUMBER | REGULATORY MODEL NUMBER | Hinge Side | Lock |
|-----------------------|-------------------------|------------|------|
| HA24BB-4-1L           | HA24BB4C-00-SLS0B       | Left       | No   |
| HA24BB-4-1R           | HA24BB4C-00-SRS0B       | Right      | No   |
| HA24BB-4-2L           | HA24BB4C-00-PL00B       | Left       | No   |
| HA24BB-4-2R           | HA24BB4C-00-PR00B       | Right      | No   |
| HA24BB-4-3L           | HA24BB4C-00-TLS0B       | Left       | No   |
| HA24BB-4-3R           | HA24BB4C-00-TRS0B       | Right      | No   |
| HA24BB-4-4L           | HA24BB4C-00-RL00B       | Left       | No   |
| HA24BB-4-4R           | HA24BB4C-00-RR00B       | Right      | No   |
| HA24BB-4-1LL          | HA24BB4C-00-SLSLB       | Left       | Yes  |
| HA24BB-4-1RL          | HA24BB4C-00-SRSLB       | Right      | Yes  |
| HA24BB-4-2LL          | HA24BB4C-00-PL0LB       | Left       | Yes  |
| HA24BB-4-2RL          | HA24BB4C-00-PR0LB       | Right      | Yes  |
| HA24BB-4-3LL          | HA24BB4C-00-TLSLB       | Left       | Yes  |
| HA24BB-4-3RL          | HA24BB4C-00-TRSLB       | Right      | Yes  |
| HA24BB-4-4LL          | HA24BB4C-00-RL0LB       | Left       | Yes  |
| HA24BB-4-4RL          | HA24BB4C-00-RR0LB       | Right      | Yes  |



**24" ADA-COMPLIANT SERIES**  
Beverage Center



\* - Leg levelers can add 3/4" [19] to these dimensions when fully extended.

