

**INSTALLER: LEAVE THIS MANUAL WITH THE APPLIANCE.
 CONSUMER: RETAIN THIS MANUAL FOR FUTURE REFERENCE.
 NEVER LEAVE CHILDREN OR OTHER AT RISK INDIVIDUALS ALONE WITH THE APPLIANCE.**



INSTALLATION AND OPERATING INSTRUCTIONS

CERTIFIED UNDER: ANSI Z21.60 / CSA 2.26 DECORATIVE GAS APPLIANCES FOR INSTALLATION IN SOLID-FUEL BURNING APPLIANCES

GL18NE, GL24NE,
 GL30NE
 NATURAL GAS

GL18PE, GL24PE,
 GL30PE
 PROPANE

CERTIFIED FOR CANADA AND UNITED STATES USING ANSI/CSA METHODS.

SAFETY INFORMATION

! WARNING

If the information in these instructions are not followed exactly, a fire or explosion may result causing property damage, personal injury or loss of life.

- Do not store or use gasoline or other flammable vapors and liquids in the vicinity of this or any other appliance.

- WHAT TO DO IF YOU SMELL GAS:

- Do not try to light any appliance.
- Do not touch any electrical switch; do not use any phone in your building.
- Immediately call your gas supplier from a neighbour's phone. Follow the gas supplier's instructions.
- If you cannot reach your gas supplier, call the fire department.

- Installation and service must be performed by a qualified installer, service agency or the supplier.

This appliance may be installed in an aftermarket, permanently located, manufactured home (USA only) or mobile home, where not prohibited by local codes.

This appliance is only for use with the type of gas indicated on the rating plate. This appliance is not convertible for use with other gases, unless a certified kit is used.



GL18



GL24



GL30



APPLY SERIAL NUMBER LABEL FROM CARTON

Serial No. XXXXXX000000

MODEL NO.

Wolf Steel Ltd., 24 Napoleon Rd., Barrie, ON, L4M 0G8 Canada /
 103 Miller Drive, Crittenden, Kentucky, USA, 41030

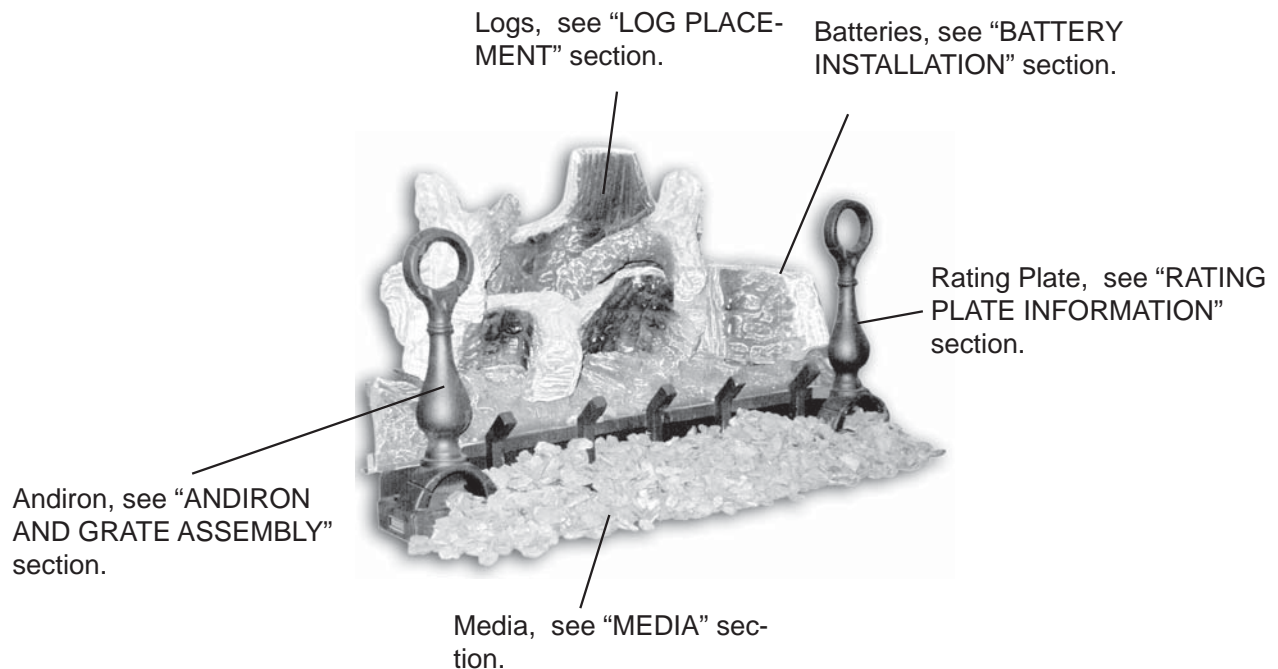
Phone (705)721-1212 • Fax (705)722-6031 • www.napoleonfireplaces.com • ask@napoleonproducts.com

TABLE OF CONTENTS

1.0	INSTALLATION OVERVIEW	2
2.0	INTRODUCTION	3
2.1	GENERAL INSTRUCTIONS	4
2.2	GENERAL INFORMATION	5
2.3	MINIMUM APPLIANCE SIZE	5
2.4	RATING PLATE	5
3.0	INSTALLATION	6
3.1	GAS PIPING	6
3.2	DAMPER STOP INSTALLATION	7
4.0	FINISHING	8
4.1	ANDIRON AND GRATE ASSEMBLY	8
4.2	BATTERY INSTALLATION	8
4.3	LOG PLACEMENT	9
4.4	MEDIA	10
4.5	LOGO PLACEMENT	10
4.6	OPTIONAL ROCK PLACEMENT	11
4.7	OPTIONAL REMOTE INSTALLATION (NOT SUPPLIED)	11
5.0	WIRING DIAGRAM	12
6.0	OPERATION	13
6.1	OPERATING AND LIGHTING INSTRUCTIONS	13
7.0	ADJUSTMENTS	14
7.1	PILOT BURNER ADJUSTMENT	14
7.2	VENTURI ADJUSTMENT	14
7.3	FLAME CHARACTERISTICS	15
8.0	MAINTENANCE	15
9.0	REPLACEMENTS	16
10.0	TROUBLE SHOOTING	18
11.0	WARRANTY	20
12.0	SERVICE HISTORY	21

NOTE: Changes, other than editorial, are denoted by a vertical line in the margin.

1.0 INSTALLATION OVERVIEW



2.0 INTRODUCTION

WARNING

- **THIS APPLIANCE IS HOT WHEN OPERATED AND CAN CAUSE SEVERE BURNS IF CONTACTED.**
- **ANY CHANGES OR ALTERATIONS TO THIS APPLIANCE OR IT'S CONTROLS CAN BE DANGEROUS AND IS PROHIBITED.**
- Do not operate appliance before reading and understanding operating instructions. Failure to operate appliance according to operating instructions could cause fire or injury.
- Risk of fire or asphyxiation do not operate appliance with fixed glass removed.
- Do not connect 110 volts to the control valve.
- Risk of burns. The appliance should be turned off and cooled before servicing.
- Do not install damaged, incomplete or substitute components.
- Risk of cuts and abrasions. Wear protective gloves and safety glasses during installation. Sheet metal edges may be sharp.
- Do not burn wood or other materials in this appliance.
- Children and adults should be alerted to the hazards of high surface temperature and should stay away to avoid burns or clothing ignition. Toddlers, young children and others may be susceptible to accidental contact burns. A physical barrier is recommended if there are at risk individuals in the house. To restrict access to an appliance or stove, install an adjustable safety gate to keep toddlers, young children and other at risk individuals out of the room and away from hot surfaces.
- Clothing or other flammable material should not be placed on or near the appliance.
- Due to high temperatures, the appliance should be located out of traffic and away from furniture and draperies.
- Ensure you have incorporated adequate safety measure to protect infants/toddlers from touching hot surfaces.
- Even after the appliance is out, the glass and/or screen will remain hot for an extended period of time.
- Check with your local hearth specialty dealer for safety screens and hearth guards to protect children from hot surfaces. These screens and guards must be fastened to the floor.
- Any safety screen or guard removed for servicing must be replaced prior to operating the appliance.
- This appliance is a vented gas-fired appliance. Do not burn wood or other materials in this appliance.
- It is imperative that the control compartments, burners and circulating blower and its passageway in the appliance and venting system are kept clean. The appliance and its venting system should be inspected before use and at least annually by a qualified service person. More frequent cleaning may be required due to excessive lint from carpeting, bedding material, etc. The appliance area must be kept clear and free from combustible materials, gasoline and other flammable vapors and liquids.
- Under no circumstances should this appliance be modified.
- This appliance must not be connected to a chimney flue pipe serving a separate solid fuel burning appliance.
- Do not use this appliance if any part has been under water. Immediately call a qualified service technician to inspect the appliance and to replace any part of the control system and any gas control which has been under water.
- Do not operate the appliance with the glass door removed, cracked or broken. Replacement of the glass should be done by a licensed or qualified service person.
- Do not strike or slam shut the appliance glass door.
- Only doors / optional fronts certified with the unit are to be installed on the appliance.
- Keep the packaging material out of reach of children and dispose of the material in a safe manner. As with all plastic bags, these are not toys and should be kept away from children and infants.
- As with any combustion appliance, we recommend having your appliance regularly inspected and serviced as well as having a Carbon Monoxide Detector installed in the same area to defend you and your family against Carbon Monoxide.
- Ensure clearances to combustibles are maintained when building a mantel or shelves above the appliance. Elevated temperatures on the wall or in the air above the appliance can cause melting, discolouration or damage to decorations, a T.V. or other electronic components.

3.16B

2.1 GENERAL INSTRUCTIONS

! WARNING
ALWAYS LIGHT THE PILOT WHETHER FOR THE FIRST TIME OR IF THE GAS SUPPLY HAS RUN OUT, WITH THE GLASS DOOR OPENED OR REMOVED.
PROVIDE ADEQUATE CLEARANCE FOR SERVICING AND OPERATING THE APPLIANCE.
PROVIDE ADEQUATE VENTILATION.
NEVER OBSTRUCT THE FRONT OPENING OF THE APPLIANCE.
OBJECTS PLACED IN FRONT OF THE APPLIANCE MUST BE KEPT A MINIMUM OF 48" FROM THE FRONT FACE OF THE UNIT.
SURFACES AROUND AND ESPECIALLY ABOVE THE APPLIANCE CAN BECOME HOT. AVOID CONTACT WHEN THE APPLIANCE IS OPERATING.
FIRE RISK. EXPLOSION HAZARD.
HIGH PRESSURE WILL DAMAGE VALVE. DISCONNECT GAS SUPPLY PIPING BEFORE PRESSURE TESTING GAS LINE AT TEST PRESSURES ABOVE 1/2 PSIG. CLOSE THE MANUAL SHUT-OFF VALVE BEFORE PRESSURE TESTING GAS LINE AT TEST PRESSURES EQUAL TO OR LESS THAN 1/2 PSIG.
USE ONLY WOLF STEEL APPROVED OPTIONAL ACCESSORIES AND REPLACEMENT PARTS WITH THIS APPLIANCE. USING NON-LISTED ACCESSORIES (BLOWERS, DOORS, LOUVRES, TRIMS, GAS COMPONENTS, VENTING COMPONENTS, ETC.) COULD RESULT IN A SAFETY HAZARD AND WILL VOID THE WARRANTY AND CERTIFICATION.
DO NOT USE A BLOWER INSERT, HEAT EXCHANGER INSERT OR ANY OTHER ACCESSORY NOT APPROVED FOR USE WITH THIS APPLIANCE

Thoroughly clean the chimney, flue and existing appliance before installing the new appliance into it. Do not burn solid fuels in any appliance that is equipped with this gas log set.

The installation of this appliance must conform with local codes or in the absence of local codes, it must conform to ANSI Z.223.1 or the CAN/CGA B149.

Do not operate appliance in the presence of gasoline or other flammable liquids and vapours. Keep area clear of other combustible materials. The appliance and its shut off must be disconnected from the gas supply piping system before any pressure testing of the system is done.

Installation practices vary from region to region and it is important to know the specifics that apply to your area,

For example: in Massachusetts State:

- This product must be installed by a licensed plumber or gas fitter when installed within the commonwealth of Massachusetts.
- The appliance damper must be removed or welded in the open position prior to installation of a appliance insert or gas log.
- The appliance off valve must be a "T" handle gas cock.
- The flexible connector must not be longer than 36 inches.
- The appliance is not approved for installation in a bedroom or bathroom unless the appliance is a direct vent sealed combustion product.
- A carbon monoxide detector is required in all rooms containing gas fired appliances.

No external electricity (110 volts or 24 volts) is required for the gas system operation.



2.2 GENERAL INFORMATION

! WARNING

THIS APPLIANCE MUST NOT BE INSTALLED IN A BEDROOM OR BATHROOM.

	GL18		GL24		GL30	
	NG	LP	NG	LP	NG	LP
Altitude (FT)	0-4,500	0-4,500	0-4,500	0-4,500	0-4,500	0-4,500
Max input (BTU/HR)	55,000	55,000	60,000	60,000	65,000	65,000
Min Inlet Gas Supply Pressure	4.5" Water Column	11" Water Column	4.5" Water Column	11" Water Column	4.5" Water Column	11" Water Column
Max Inlet Gas Supply Pressure	7" Water Column	13" Water Column	7" Water Column	13" Water Column	7" Water Column	13" Water Column
Manifold Pressure (Under Flow Conditions)	3.5" Water Column	10" Water Column	3.5" Water Column	10" Water Column	3.5" Water Column	10" Water Column

2.3 MINIMUM APPLIANCE SIZE

LOG SET	HEIGHT	WIDTH	DEPTH
GL18	18"	22"	14"
GL24	20"	28"	14"
GL30	22"	34"	14"

Do not install the gas log set into a cavity smaller than that referenced in the table.

2.4 RATING PLATE

CERTIFIED UNDER / HOMOLOGUE SELON LES NORMES: ANSI Z21.60b-2004 CGA 2.26b-2004, DECORATIVE APPLIANCE FOR INSTALLATION IN SOLID-FUEL BURNING APPLIANCES


WARNING: IMPROPER INSTALLATION, ADJUSTMENT, ALTERATION, SERVICE OR MAINTENANCE CAN CAUSE INJURY OR PROPERTY DAMAGE. REFER TO THE OWNER'S INFORMATION MANUAL PROVIDED WITH THIS APPLIANCE. FOR ASSISTANCE OR ADDITIONAL INFORMATION, CONSULT A QUALIFIED INSTALLER, SERVICE AGENCY OR THE GAS SUPPLIER.

NATURAL GAS MODELS

GL18 NE GL24 NE GL30 NE

55,000BTU/h 60,000BTU/h 65,000BTU/h
34,000BTU/h 35,000BTU/h 36,000BTU/h

0-4500FT (0-1370m)
3.5" WATER COLUMN/D'UNE COLONNE D'EAU
4.5" WATER COLUMN/D'UNE COLONNE D'EAU
7.0" WATER COLUMN/D'UNE COLONNE D'EAU



CERTIFIED FOR CANADA/USA
CERTIFIÉE POUR CANADA/USA
REFERENCE # WN 15987

INPUT / ALIMENTATION
REDUCED INPUT / ALIMENTATION RÉDUITE

ALTITUDE / ÉLEVATION
MANIFOLD PRESSURE / PRESSION AU COLLECTEUR
MINIMUM SUPPLY PRESSURE / PRESSION D'ALIMENTATION MINIMALE
MAXIMUM SUPPLY PRESSURE / PRESSION D'ALIMENTATION MAXIMALE

AVERTISSEMENT: UNE INSTALLATION NON CONFORME, DES AJUSTEMENTS, DES ALTERATIONS, UN SERVICE OU UN ENTRETIEN INADÉQUATS PEUVENT CAUSER DES DOMMAGES MATÉRIELS OU DES BLESSURES CORPORELLES. RÉFÉREZ-VOUS AU MANUEL D'INSTRUCTIONS FOURNI AVEC CET APPAREIL. POUR DE L'ASSISTANCE OU POUR PLUS D'INFORMATION, CONSULTEZ UN INSTALLATEUR QUALIFIÉ, UNE AGENCE D'ENTRETIEN OU LE FOURNISSEUR DE GAZ.

PROPANE MODELS

GL18 PE GL24 PE GL30 PE

55,000BTU/h 60,000BTU/h 65,000BTU/h
45,000BTU/h 50,000BTU/h 50,000BTU/h

0-4500FT (0-1370m)
10" WATER COLUMN/D'UNE COLONNE D'EAU
11" WATER COLUMN/D'UNE COLONNE D'EAU
13" WATER COLUMN/D'UNE COLONNE D'EAU

WARNING: DO NOT ADD ANY MATERIAL TO THE APPLIANCE, WHICH WILL COME IN CONTACT WITH THE FLAMES, OTHER THAN THAT SUPPLIED BY THE MANUFACTURER WITH THE APPLIANCE. FOR INSTALLATION IN A SOLID-FUEL BURNING FIREPLACE ONLY. THE FIREPLACE CHIMNEY MUST HAVE A PERMANENT VENT OPENING TO ATMOSPHERE OF NOT LESS THAN 45.5" FOR GL18, 49.2" FOR GL24, 53" FOR GL30 OR AS DETERMINED BY THE MANUFACTURER'S INSTALLATION INSTRUCTIONS.

FOR YOUR SAFETY: DO NOT STORE OR USE GASOLINE OR OTHER FLAMMABLE VAPOURS AND LIQUIDS IN THE VICINITY OF THIS OR ANY OTHER APPLIANCE.

AVERTISSEMENT: N'AJOUTEZ AUCUN MATÉRIEL À CET APPAREIL QUI ENTRERA EN CONTACT AVEC LES FLAMMES AUTRE QUE CELUI QUI EST FOURNI AVEC CET APPAREIL PAR LE FABRICANT. POUR L'INSTALLATION DANS UN FOYER À COMBUSTIBLE SOLIDE SEULEMENT. LA CHEMINÉE DU FOYER DOIT POSSÉDER UNE OUVERTURE D'ÉVACUATION PERMANENTE À L'AIR EXTÉRIEUR DE NON MOINS DE 45,5" POUR LE GL18, DE 49,2" POUR LE GL24 ET DE 53" POUR LE GL30 OU SELON LES INSTRUCTIONS D'INSTALLATION DU FABRICANT.

POUR VOTRE SÉCURITÉ: N'ENTREPOSEZ PAS ET N'UTILISEZ PAS D'ESSENCE OU AUTRES LIQUIDES ET VAPEURS INFLAMMABLES À PROXIMITÉ DE CET OU TOUT AUTRE APPAREIL.

MINIMUM FIREPLACE SIZE / DIMENSIONS MINIMALES DU FOYER

UNIT / APPAREIL	HEIGHT / HAUTEUR	WIDTH / LARGEUR	DEPTH / PROFONDEUR
GL18	18"	22"	14"
GL24	20"	28"	14"
GL30	22"	34"	14"

FOR MINIMUM CHIMNEY FLUE SEE INSTRUCTION MANUAL. POUR LES DIMENSIONS MINIMALES DE LA CHEMINÉE, CONSULTEZ LE MANUEL D'INSTRUCTIONS

WOLF STEEL LTD.
24 NAPOLEON ROAD, BARRIE, ONTARIO L4M 0G8 CANADA
WOLF STEEL USA
103 Miller Drive, Crittenden, Kentucky, USA, 41030

SERIAL NUMBER/NO. DE SERIE: **GLE**

W385-1870

THE RATING PLATE IS CHAINED TO THE LEG OF THE BURNER BASE AND SHOULD BE TUCKED UNDER THE ENTIRE ASSEMBLY

This rating plate illustration is for reference only. Refer to the rating plate on the appliance for accurate information.

3.0 INSTALLATION

! WARNING

THIS APPLIANCE MUST BE INSTALLED IN A SOLID-FUEL BURNING FIREPLACE WITH A WORKING FLUE AND CONSTRUCTED OF NON-COMBUSTIBLE MATERIAL.

The appliance and gas logs function as a system. If the appliance is not drafting properly and spilling into the room (check with a match or a smoke stick), reposition the damper clamp until a positive draft is obtained by opening the damper. If negative pressure in home prevents having a positive draft, consult an air quality specialist.

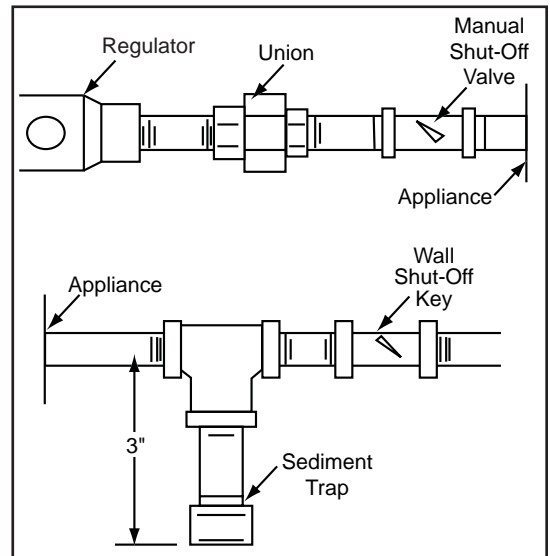
3.1 GAS PIPING

! WARNING

DO NOT CONNECT EITHER THE WALL SWITCH, THERMOSTAT OR GAS VALVE TO ELECTRICITY (110 VOLTS).

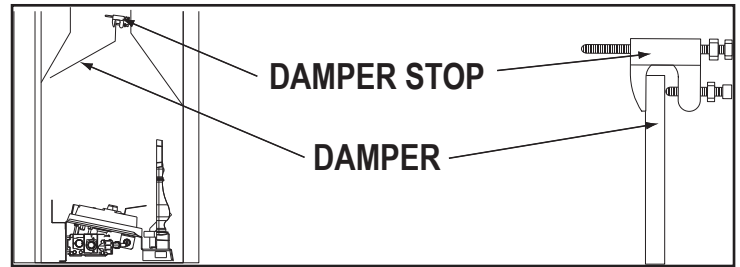
This appliance must be isolated from the gas supply piping system by closing the individual manual shut off valve during any pressure testing of the gas supply piping system at test pressure equal to or less than $\frac{1}{2}$ psi (3.5 kPa)

- A. Centre the appliance in the fireplace opening, making sure the appliance has enough room behind it for the gas line to run behind the log set under the log support.
- B. Route the gas line and sizing using piping $\frac{1}{2}$ " diameter or greater to allow the full volume of gas to the appliance. The routing of the gas line has to be done to local and / or national codes.
- C. When rigid pipe is used an ANSI approved manual shut off and a union must be installed upstream within the appliance cavity.
- D. To ensure the appliance operates reliably install a sediment trap upstream of the appliance within the structures of the piping system.
- E. When using propane, a regulator must be used between the tank and the outside wall of the house to ensure the line pressure does not exceed 14" w.c.
- F. Check gas connections with a gas detection device to test for leaks in the system. Soapy water mixture can also be used to check for leaks.
- G. Once all the gas connections are tested for leaks, start the appliance. Follow the lighting instructions to ensure the appliance is working properly before finishing.



3.2 DAMPER STOP INSTALLATION

The damper must be permanently locked in position to prevent full closure and to provide a minimum flue opening. Various methods for locking the damper may be used but may be restricted from region to region and it is important to know the specifics that apply to your area. For your convenience a damper stop is provided with the appliance and may be used where not prohibited by state or local codes.



Use the 3" adjustable bolt to adjust the damper to the correct opening, based on the enclosed chart.

Should the damper stop not fit, or provide the required permanent opening from the Minimum Damper Opening table, have the damper cut to provide a minimum permanent opening or install an alternate stop.

Creosote, ashes and loose paint must be cleaned from the chimney flue and firebox by a qualified chimney cleaner, before installing in a solid fuel burning appliance. Any outside air ducts and/or ash dumps in the fireplace shall be permanently closed at time of appliance installation.

If the damper stop (supplied) is not applicable the damper may be fixed open by the following method:

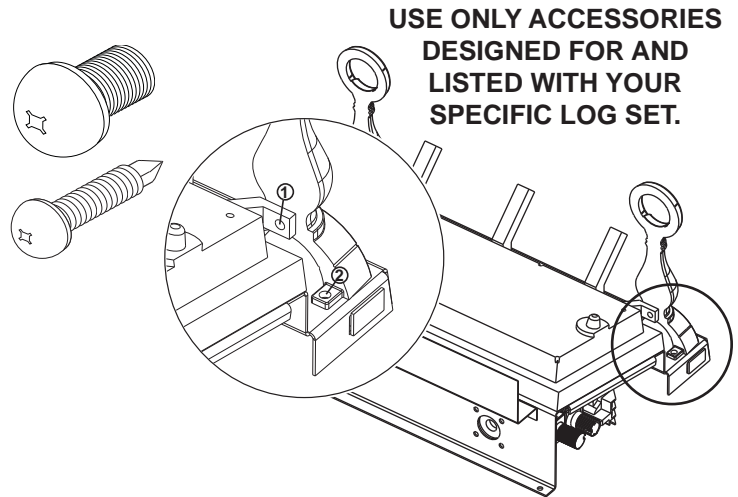
- Drill a hole in either end of the damper.
- Using a bolt of sufficient length and adjustment, with 2 nuts, secure to damper through the hole.
- Adjust to correct opening.

MINIMUM DAMPER OPENING (SQUARE INCHES)		
CHIMNEY HEIGHT	MASONRY APPLIANCE	FACTORY BUILT APPLIANCE
6	33.8"	
8	31.2"	
10	28.7"	22.1"
15	26.1"	17.3"
20	23.7"	14.5"
25	22.7"	12.6"
30	21.6"	11.3"
35		10.8"
40		10.2"

4.0 FINISHING

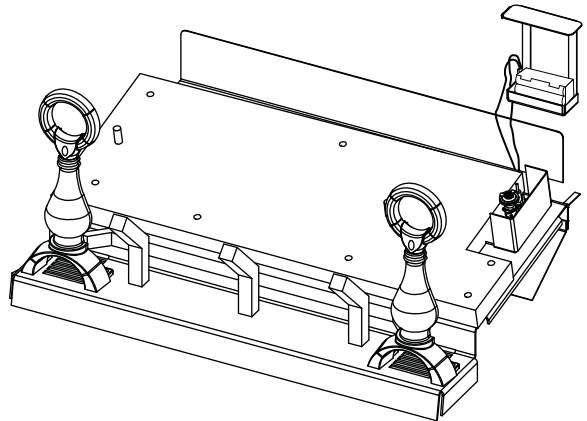
4.1 ANDIRON AND GRATE ASSEMBLY

- A. With the 2 andirons laying face down, secure the grate ovetop using two ¼-20 bolts (supplied in the manual baggie).
- B. Install the grate/andiron assembly to the burner base using four 1 ¼" self tapping screws (supplied in the manual baggie).



4.2 BATTERY INSTALLATION

- A. Remove all the logs.
- B. The battery pack is located at the rear right corner of the burner behind the pilot. If there is room, slide the battery pack out to the right, otherwise lift up carefully, making sure that the wires connected to the battery pack do not become entangled.
- C. Unfasten the Velcro and replace the 4 AA batteries.
- D. Replace battery pack and log set (see "LOG PLACEMENT" section).

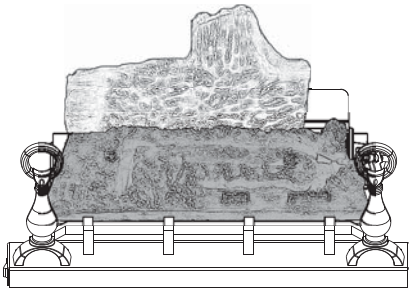


4.3 LOG PLACEMENT

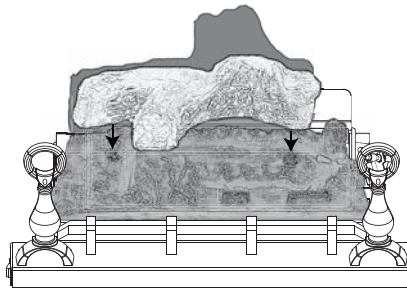
! WARNING
FAILURE TO POSITION THE LOGS IN ACCORDANCE WITH THESE DIAGRAMS OR FAILURE TO USE ONLY LOGS SPECIFICALLY APPROVED WITH THIS APPLIANCE MAY RESULT IN PROPERTY DAMAGE OR PERSONAL INJURY.
LOGS MUST BE PLACED IN THEIR EXACT LOCATION IN THE APPLIANCE. DO NOT MODIFY THE PROPER LOG POSITIONS, SINCE APPLIANCE MAY NOT FUNCTION PROPERLY AND DELAYED IGNITION MAY OCCUR.
THE LOGS ARE FRAGILE AND SHOULD BE HANDLED WITH CARE.

76.1A

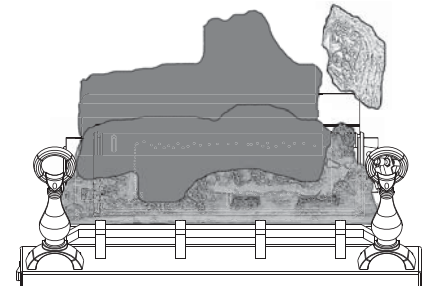
Phazer™ logs, exclusive to Napoleon Appliances, provide a unique and realistic glowing effect that is different in every installation. Failure to follow these log placement instructions may cause sooting.



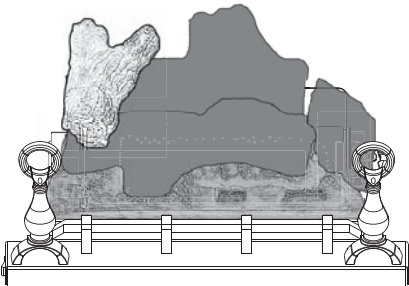
- A.** Place the rear log #1 onto the locating studs on the rear log support.



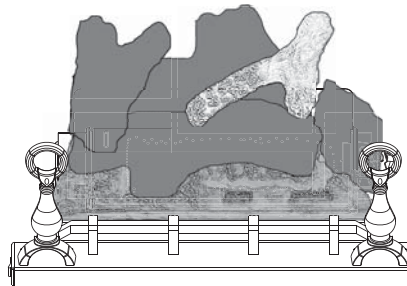
- B.** Position the holes on the bottom of log #2 onto the fibre embosses shown.



- C.** Position the bottom cavity of log #3 onto the bracket located in the front right corner.



- D.** Position the pins on the bottom of log #4 into the holes on the left end of log #1 and the left end of log #2.



- E.** Place the end of log #5 on the right end of log #1. The fork in the log should straddle the knot on top of the log #2.

Log colours may vary. During the initial use of the appliance, the colours will become more uniform as colour pigments burn in during the heat activated curing process.

Positioning the logs improperly will cause flame impingement and carboning.

Blocked burner ports can cause an incorrect flame pattern, carbon deposits and delayed ignition. Use only certified Phazer™ logs available from your authorized dealer/distributor.

4.4 MEDIA

- A. Place lava or ember rock around the base of the appliance, making sure not to block any burner ports or valve access. Retain a small amount of lava rock for step 3 and if applicable step 4.
- B. Place formed charcoal lumps around the front and sides of the appliance.
- C. Use remaining lava or ember rock to blend with the charcoal lumps.
- D. **GL30 ONLY:** Sprinkle remaining lava rock onto the outer fibre ember beds to hide the seam.

IMPORTANT: DO NOT COVER FRONT SLOTS BENEATH THE ANDIRONS WITH MEDIA.

GL 18



GL 24

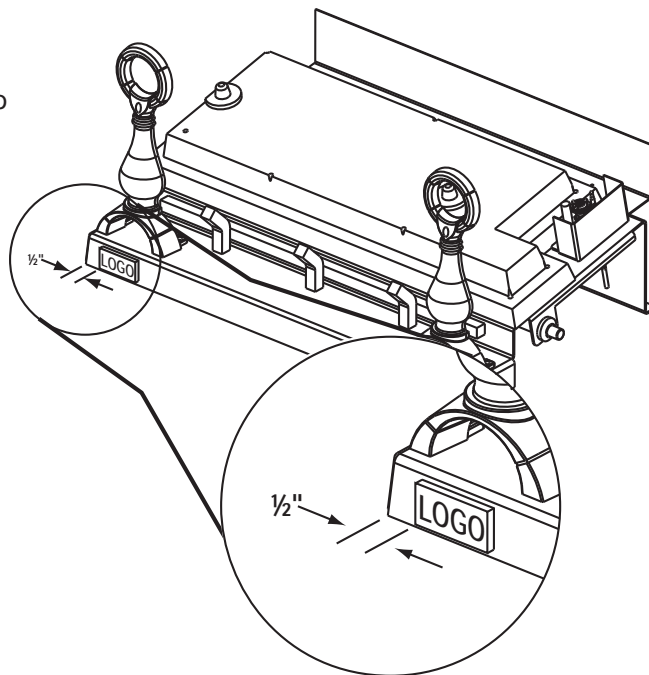


GL 30

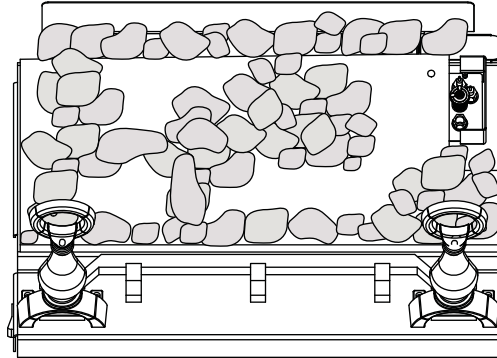


4.5 LOGO PLACEMENT

Remove the backing of the logo supplied. Centre the logo on the front of the appliance, $\frac{1}{2}$ " in from the left side, as shown.



4.6 OPTIONAL ROCK PLACEMENT



- A. Begin with thin rock clusters on rear log support, then build outward in a pattern as shown. Removing a locating pin in the rear support may be required to accommodate the rock clusters. It is not necessary to use all of the rocks.

IMPORTANT: Do not block burner ports on burner surface. Do not block slots beneath or behind the andirons.

4.7 OPTIONAL REMOTE INSTALLATION (NOT SUPPLIED)

- A. The remote receiver must be installed onto the bracket on the back right sides of the burner.



- B. Bend the tab on the bracket straight and then using the double sided tape supplied with the remote kit, adhere the remote receiver to the bracket.



- C. Hook up the wires from the remote receiver to the green and white wires on the wire harness.

6.0 OPERATION

If the fireplace is equipped with decorative glass doors, they must be fully opened when operating this gas log set. Keep burner and control compartment clean.

6.1 OPERATING AND LIGHTING INSTRUCTIONS

WARNING

IF YOU DO NOT FOLLOW THESE INSTRUCTIONS EXACTLY, A FIRE OR EXPLOSION MAY RESULT CAUSING PROPERTY DAMAGE, PERSONAL INJURY OR LOSS OF LIFE.

ALWAYS LIGHT THE PILOT WHETHER FOR THE FIRST TIME OR IF THE GAS SUPPLY HAS RUN OUT WITH THE GLASS DOOR OPENED OR REMOVED.

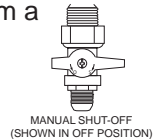
When lit for the first time, the appliance will emit an odour for a few hours. This is a normal temporary condition caused by the "burn-in" of paints and lubricants used in the manufacturing process and will not occur again. After extended periods of non-operation such as following a vacation or a warm weather season, the appliance may emit a slight odour for a few hours. This is caused by dust particles in the cavity burning off. In both cases, open a window to sufficiently ventilate the room.

FOR YOUR SAFETY READ BEFORE LIGHTING:

- A. Do not turn on if children or other at risk individuals are near the appliance.
- B. Before operating smell all around the appliance area for gas and next to the floor because some gas is heavier than air and will settle on the floor.
- C. Use only your hand to turn the gas control knob. Never use tools. If the knob will not turn by hand, do not try to repair it. Call a qualified service technician. Force or attempted repair may result in a fire or explosion.
- D. Do not use this appliance if any part has been under water. Immediately call a qualified service technician to inspect the appliance and replace any part of the control system and any gas control which has been underwater.

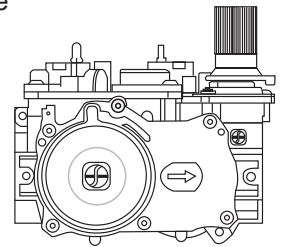
WHAT TO DO IF YOU SMELL GAS:

- Turn off all gas to the appliance.
- Open windows.
- Do not try to light any appliance.
- Do not touch any electric switch; do not use any phone in your building.
- Immediately call your gas supplier from a neighbour's phone. Follow the gas supplier's instructions.
- If you cannot reach your gas supplier, call the fire department.



LIGHTING INSTRUCTIONS:

1. Stop! Read the above safety information on this label.
2. Open the glass door if equipped.
3. Remove the batteries.
4. This appliance is equipped with an ignition device which automatically lights the pilot. Do not try to light the pilot by hand.
5. Turn manual shutoff valve clockwise to off. Located behind the appliance.
6. Wait five (5) minutes to clear out any gas. If you smell gas including near the floor, **STOP!** Follow "B" in the above safety information on this label. If you don't smell gas go to the next step.
7. Turn manual shutoff valve counter-clockwise to on.
8. Replace the batteries.
9. Turn switch on and listen for ignition sound.



TO TURN OFF GAS:

1. Remove the batteries.
2. Turn manual shutoff valve clockwise to off. Do not force.

47.19

7.0 ADJUSTMENTS

7.1 PILOT BURNER ADJUSTMENT

Adjust the pilot screw to provide properly sized flame. Turn in a clockwise direction to reduce the gas flow.

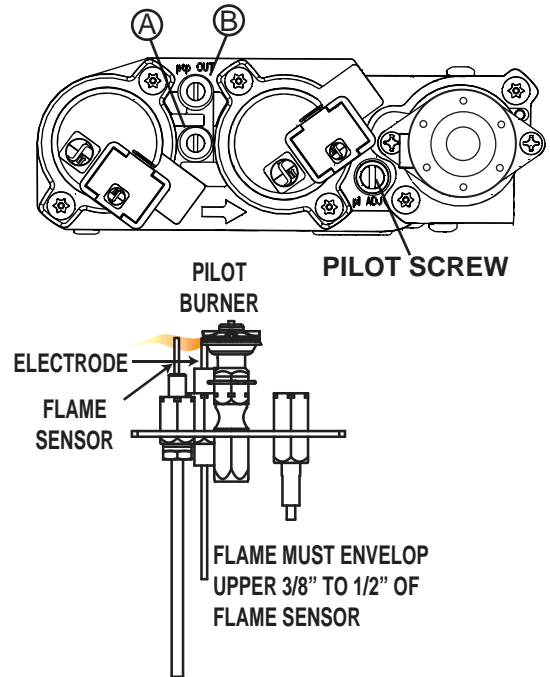
Check Pressure Readings:

Inlet pressure can be checked by turning screw (A) counter-clockwise 2 or 3 turns and then placing pressure gauge tubing over the test point. Gauge should read 7" (minimum 4.5") water column for natural gas or 13" (11" minimum) water column for propane. Check that main burner is operating on "HI".

Outlet pressure can be checked the same as above using screw (B). Gauge should read 3.5" water column for natural gas or 10" water column for propane. Check that main burner is operating on "HI".

AFTER TAKING PRESSURE READINGS, BE SURE TO TURN SCREWS CLOCKWISE FIRMLY TO RESEAL. DO NOT OVERTORQUE.

Leak test with a soap and water solution.



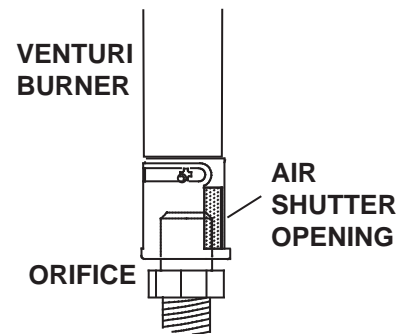
39.1A

7.2 VENTURI ADJUSTMENT

This appliance has an air shutter that has been factory set open according to the chart below:

Regardless of venturi orientation, closing the air shutter will cause a more yellow flame, but can lead to carboning. Opening the air shutter will cause a more blue flame, but can cause flame lifting from the burner ports. The flame may not appear yellow immediately; allow 15 to 30 minutes for the final flame colour to be established.

AIR SHUTTER ADJUSTMENT MUST ONLY BE DONE BY A QUALIFIED INSTALLER!

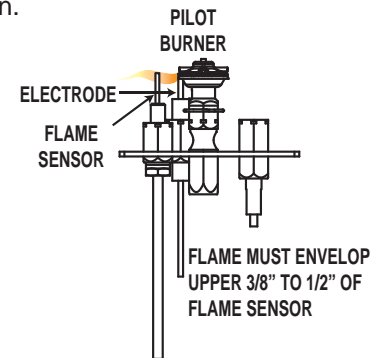
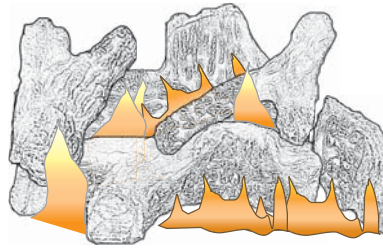


49.1

LOG SET	AIR SHUTTER	
	NG	LP
GL18	1/8"	1/4"
GL24	1/8"	5/16"
GL30	1/8"	3/8"

7.3 FLAME CHARACTERISTICS

It's important to periodically perform a visual check of the pilot and burner flames. Compare them to the illustrations provided. If any flames appear abnormal call a service person.



54.1A

8.0 MAINTENANCE

! WARNING

TURN OFF THE GAS AND REMOVE BATTERIES BEFORE SERVICING THE APPLIANCE.

APPLIANCE MAY BE HOT, DO NOT SERVICE UNTIL APPLIANCE HAS COOLED.

DO NOT USE ABRASIVE CLEANERS.

CAUTION: Label all wires prior to disconnection when servicing controls. Wiring errors can cause improper and dangerous operation. Verify proper operation after servicing. This appliance and its venting system should be inspected before use and at least annually by a qualified service person. The appliance area must be kept clear and free of combustible materials, gasoline or other flammable vapours and liquids. The flow of combustion and ventilation air must not be obstructed.

1. In order to properly clean the burner and pilot assembly, remove the logs, rocks and/or glass to expose both assemblies.
2. Keep the control compartment, media, burner, air shutter opening and the area surrounding the appliance clean by vacuuming or brushing, at least once a year.
3. Check to see that all burner ports are burning. Clean out any of the ports which may not be burning or are not burning properly.
4. Check to see that the pilot flame is large enough to engulf the flame sensor and/or thermocouple / thermopile as well as reaches the burner.
5. Replace the cleaned logs, rocks or glass. Failure to properly position the media may cause carboning which can be distributed in the surrounding living area.
6. Check to see that the main burner ignites completely on all openings when turned on. A 5 to 10 second total light-up period is satisfactory. If ignition takes longer, consult your local authorized dealer / distributor.
7. Visually inspect the appliance for carbon build up. Using a small whisk or brush, brush off the carbon and vacuum up or sweep into garbage.
8. Check to see that the appliance is venting correctly. Ensure chimney system is safe and unobstructed.

40.19

9.0 REPLACEMENTS

Contact your dealer or the factory for questions concerning prices and policies on replacement parts. Normally all parts can be ordered through your Authorized dealer / distributor.

FOR WARRANTY REPLACEMENT PARTS, A PHOTOCOPY OF THE ORIGINAL INVOICE WILL BE REQUIRED TO HONOUR THE CLAIM.

When ordering replacement parts always give the following information:

- Model & Serial Number of appliance
- Installation date of appliance
- Part number
- Description of part
- Finish

*** IDENTIFIES ITEMS WHICH ARE NOT ILLUSTRATED. FOR FURTHER INFORMATION, CONTACT YOUR AUTHORIZED DEALER.**



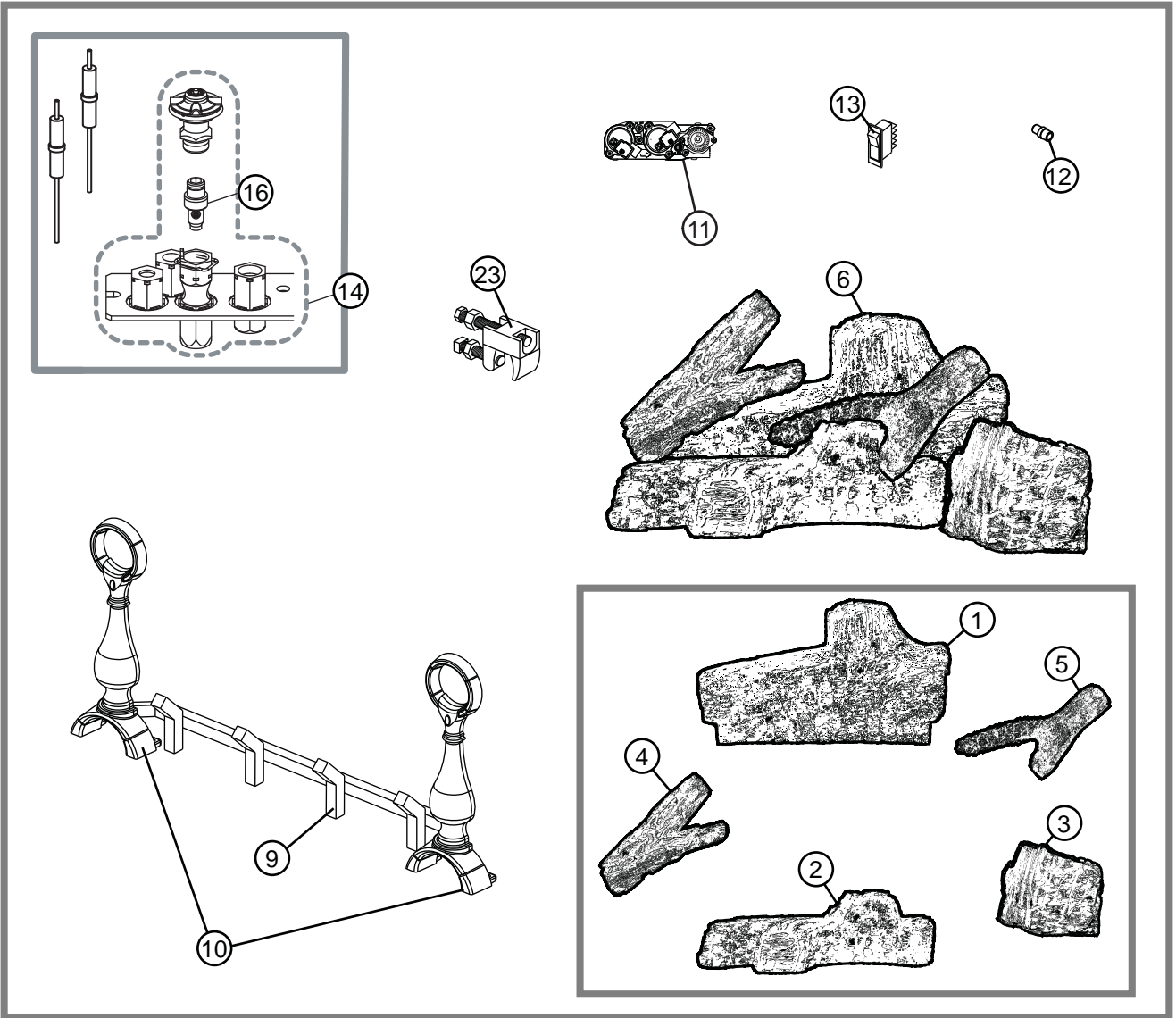
WARNING

FAILURE TO POSITION THE PARTS IN ACCORDANCE WITH THIS MANUAL OR FAILURE TO USE ONLY PARTS SPECIFICALLY APPROVED WITH THIS APPLIANCE MAY RESULT IN PROPERTY DAMAGE OR PERSONAL INJURY.

41.1

COMPONENTS		
REF NO.	GAS LOGS	DESCRIPTION
1	W135-0205	#1 - REAR LOG
2	W135-0206	#2 - MIDDLE LOG
3	W135-0207	#3 - RIGHT LOG
4	W135-0208	#4 - LEFT LOG
5	W135-0218	#5 - CROSSOVER LOG
6	GL-644	LOG SET
7*	W135-0251	GL30 RIGHT EXTENSION LOG
8*	W135-0252	GL30 LEFT EXTENSION LOG
9	W185-0024	GL18 GRATE
9	W185-0020	GL24 GRATE
9	W185-0023	GL30 GRATE
10	W715-0628	GL18 / 24 ANDIRONS
10	W715-0629	GL30 ANDIRONS
11	W725-0062	SIT VALVE - NG
11	W725-0063	SIT VALVE - LP
12	W456-0028	#28 ORIFICE - NG (GL18)
12	W456-0045	#45 ORIFICE - LP (GL18)
12	W456-0026	#26 ORIFICE -NG (GL24)
12	W456-0044	#44 ORIFICE - LP (GL24)
12	W456-0022	#22 ORIFICE - NG (GL30)
12	W456-0043	#43 ORIFICE - LP (GL30)
13	W660-0023	ON / OFF SWITCH
14	W010-1865	PILOT ASSEMBLY - NG
14	W010-1866	PILOT ASSEMBLY - LP
15*	W385-0334	NAPOLEON LOGO
16	W455-0069	PILOT INJECTOR - NG
16	W4550068	PILOT INJECTOR - LP
17*	W190-0029	IPI BOARD
20*	W010-1260	FIBRE BURNER ASSEMBLY
21*	W550-0006	LAVA ROCK
22*	W550-0002	CHARCOAL LUMPS
23	W010-1288	DAMPER STOP

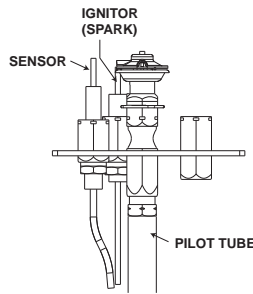
ACCESSORIES		
REF NO.	GAS LOGS	DESCRIPTION
24*	GD-660	REMOTE WALL SWITCH W/20" WIRE
26*	W660-0026	PROGRAMMABLE TIMER
27*	F45	ON/OFF REMOTE
27*	F45-6	ON/OFF REMOTE -BULK
28*	MKRY	GREY RIVER ROCKS
28*	MKRM	MULTI-COLOURED RIVER ROCKS



10.0 TROUBLE SHOOTING

! WARNING**TURN OFF THE GAS AND ELECTRICAL POWER BEFORE SERVICING THE APPLIANCE.****APPLIANCE MAY BE HOT, DO NOT SERVICE UNTIL APPLIANCE HAS COOLED.****DO NOT USE ABRASIVE CLEANERS.**

SYMPTOM	PROBLEM	TEST SOLUTION
Pilot will not light. Makes noise with no spark at pilot burner.	Wiring.	- Verify the wire for the sensor and the wire for the ignitor are connected to the correct terminals (not reversed) on the module. NOTE: Sensor has 3/16" connection and ignitor has 1/8" connection.
	Loose connection.	- Verify no loose connections, electrical shorts in the wiring or ground out to any metal object.
	Module.	- Turn the ON/OFF switch to the "OFF" position. Remove the igniter wire from the module. Place the ON/OFF switch to the "ON" position. Hold a grounded wire about 3/16" away from the ignitor (spark) terminal on the module. If no spark the ignitor terminal module must be replaced. If there is a spark the ignitor terminal is fine.
	Electrode.	- Inspect pilot assembly for a shorted wire or cracked insulator around the electrode.
	Igniter Spark gap is incorrect.	- Spark gap of the ignitor to the pilot should be 1/8".
	Battery.	- Check batteries.
	A shorted or loose Connection.	- Remove and reinstall the wiring harness that plugs into the module. Remove and verify continuity of each wire in wiring harness.
	Improper switch wiring.	- Troubleshoot the system with the simplest ON/OFF switch.
Pilot sparks but will not light.	Module is not grounded.	- Verify the valve and pilot assemblies are properly grounded to the metal chassis of the appliance or log set.
	Gas supply.	- Verify that the incoming gas line ball valve is "Open". Verify that the inlet pressure reading is within acceptable limits, inlet pressures must not exceed 14" W.C.
	Out of propane gas.	- Fill the tank.



SYMPTOM	PROBLEM	TEST SOLUTION
Carbon is being deposited on glass, logs, rocks, media or combustion chamber surfaces.	Air shutter has become blocked.	- Ensure air shutter opening is free of lint or other obstructions.
	Flame is impinging on the glass, logs, rocks, media or combustion chamber.	- Check that the glass, logs, rocks or media are correctly positioned and remove them from direct flame. - Open air shutter to increase the primary air. - Check the input rate: check the manifold pressure and orifice size as specified by the rating plate values.
Continues to spark and pilot lights, but main burner will not light.	Short or loose connection in sensor rod.	- Verify all connections. Verify the connections from the pilot assembly are tight; also verify these connections are not grounding out to any metal.
	Poor flame rectification or contaminated sensor rod.	- Verify the flame is engulfing the sensor rod. This will increase the flame rectification. Verify correct pilot orifice is installed and inlet gas specifications to manual. (Remember, the flame carries the rectification current, not the gas. If the flame lifts from pilot hood, the circuit is broken. A wrong orifice or too high of an inlet pressure can cause the pilot flame to lift.) The sensor rod may need cleaning.
	Poor grounding between pilot assembly and gas valve.	- Verify that the wire harness is firmly connected to module. Verify that the ceramic insulator around the sensor rod is not cracked, damaged, or loose. Verify the connection from the sensor rod to the sensor wire.
	Damaged pilot or sensor rod.	- Clean sensor rod with an emery cloth to remove any contamination that may have accumulated on the sensor rod. Verify continuity with multimeter with ohms set at the lowest range. Check for shorted wire or cracked insulator.
Pilot lights Stops sparking / pilot remains lit but burner will not turn on.	Wiring / Connection.	- Inspect all wires, ensure good tight connections. Verify that all wiring is installed exactly as specified.
	Wiring harness.	- Inspect the wiring harness, and verify the harness is tightly connected to the module. Verify that all wires are connected in the right order. See "WIRING DIAGRAM" section.
Exhaust fumes smelled in room, headaches.	Appliance is spilling.	- Check for chimney blockage - Check that chimney is installed to building code. - Room is in negative pressure; increase fresh air supply - Check damper positioning

11.0 WARRANTY

NAPOLEON® products are manufactured under the strict Standard of the world recognized ISO 9001 : 2008 Quality Assurance Certificate.

NAPOLEON® products are designed with superior components and materials assembled by trained craftsmen who take great pride in their work. Once assembled the complete log set is thoroughly inspected by a qualified technician before packaging to ensure that you, the customer, receive the quality product that you expect from NAPOLEON®.

NAPOLEON® GAS LOG SET LIFETIME LIMITED WARRANTY

The Phazer™ logs in your new Napoleon® gas log set are warranted against defects for as long as you own the appliance.

Electrical (millivolt) components, burner and wearable parts such as the gas valve, thermal switch, switches, wiring, remote control, ignitor, gasketing, and pilot assembly are covered and Napoleon® will provide replacement parts free of charge during the first year of the lifetime limited warranty.*

* Construction of models vary. Warranty applies only to components included with your specific appliance.

CONDITIONS AND LIMITATIONS

NAPOLEON® warrants its products against manufacturing defects to the original purchaser only. Registering your warranty is not necessary. Simply provide your proof of purchase along with the model and serial number to make a warranty claim. NAPOLEON® reserves the right to have its representative inspect any product or part thereof prior to honouring any warranty claim. Provided that the purchase was made through an authorized NAPOLEON® dealer your appliance is subject to the following conditions and limitations: Warranty coverage begins on the date of original installation.

This factory warranty is non-transferable and may not be extended whatsoever by any of our representatives.

Installation must be done in accordance with the installation instructions included with the product and all local and national building and fire codes. This limited warranty does not cover damages caused by misuse, lack of maintenance, accident, alterations, abuse or neglect and parts installed from other manufacturers will nullify this warranty.

This limited warranty further does not cover any scratches, dents, corrosion or discoloring caused by excessive heat, abrasive and chemical cleaners nor chipping on porcelain enamel parts, mechanical breakage of PHAZER™ logs and embers.

In the first year only, this warranty extends to the repair or replacement of warranted parts which are defective in material or workmanship provided that the product has been operated in accordance with the operation instructions and under normal conditions. After the first year, with respect to this President's Lifetime Limited Warranty, NAPOLEON® may, at its discretion, fully discharge all obligations with respect to this warranty by refunding to the original warranted purchaser the wholesale price of any warranted but defective part(s).

NAPOLEON® will not be responsible for installation, labour or any other expenses related to the reinstallation of a warranted part and such expenses are not covered by this warranty.

Notwithstanding any provisions contained in the President's Lifetime Limited Warranty, NAPOLEON'S responsibility under this warranty is defined as above and it shall not in any event extend to any incidental, consequential or indirect damages.

This warranty defines the obligations and liability of NAPOLEON® with respect to the NAPOLEON® gas logs and any other warranties expressed or implied with respect to this product, its components or accessories are excluded.

NAPOLEON® neither assumes, nor authorizes any third party to assume, on its behalf, any other liabilities with respect to the sale of this product.

Any damages to the burner or logs or other components due to water, weather damage, long periods of dampness, condensation, damaging chemicals or cleaners will not be the responsibility of NAPOLEON®.

All parts replaced under the President's Limited Lifetime Warranty Policy are subject to a single claim.

During the first 10 years NAPOLEON® will replace or repair the defective parts covered by the lifetime warranty at our discretion free of charge. From 10 years to life, NAPOLEON® will provide replacement parts at 50% of the current retail price.

All parts replaced under the warranty will be covered for a period of 90 days from the date of their installation.

The manufacturer may require that defective parts or products be returned or that digital pictures be provided to support the claim. Returned products are to be shipped prepaid to the manufacturer for investigation. If a product is found to be defective, the manufacturer will repair or replace such defect.

Before shipping your appliance or defective components, your dealer must obtain an authorization number. Any merchandise shipped without authorization will be refused and returned to sender.

Shipping costs are not covered under this warranty.

Additional service fees may apply if you are seeking warranty service from a dealer.

Labour travel, diagnostic tests, shipping and other related charges are not covered by this warranty.

ALL SPECIFICATIONS AND DESIGNS ARE SUBJECT TO CHANGE WITHOUT PRIOR NOTICE DUE TO ON-GOING PRODUCT IMPROVEMENTS.
NAPOLEON® IS A REGISTERED TRADEMARK OF WOLF STEEL LTD.

Les produits NAPOLÉON® sont fabriqués conformément aux normes strictes du certificat d'assurance de qualité

mondialement reconnu ISO 9001 : 2008.

Les produits NAPOLÉON® sont conçus avec des composants et des matériaux de qualité supérieure, assemblés par des artisans qualifiés qui sont fiers de leur travail. Une fois assemblée, chaque ensemble de bûches est soigneusement inspecté par un technicien qualifié avant d'être emballé pour garantir que vous, le client, recevez le produit de qualité dont vous attendez de NAPOLÉON®.

GARANTIE À VIE LIMITÉE DE L'ENSEMBLE DE BÛCHES À GAZ NAPOLÉON®

Les bûches PHAZER^{MD} de votre nouvel ensemble de bûches à gaz NAPOLÉON® sont garanties contre les défauts tant que vous en êtes le propriétaire.

Les composants électriques (millivolt), le brûleur et les pièces soumises à l'usure tels que la soupape de gaz, l'interrupteur thermique, les interrupteurs, l'installation électrique, la télécommande, l'allumeur, les joints d'étanchéité et l'assemblage de la veilleuse sont couverts et NAPOLÉON® fournira gratuitement les pièces de rechange durant la première année de la garantie à vie limitée.*

* La fabrication de chaque modèle varie. La garantie s'applique uniquement aux composants disponibles avec votre appareil.

CONDITIONS ET LIMITATIONS

NAPOLÉON® garantit ses produits contre les défauts de fabrication à l'acheteur d'origine seulement. L'enregistrement de la garantie n'est pas nécessaire. Fournissez simplement une preuve d'achat ainsi que le modèle et le numéro de série afin d'effectuer une réclamation de garantie. NAPOLÉON® se réserve le droit de demander à son représentant d'inspecter tout produit ou pièce avant d'honorer toute réclamation. L'achat doit avoir été fait par l'entremise d'un détaillant NAPOLÉON® autorisé et sous réserve des conditions et limitations suivantes :

La couverture de la garantie débute à partir de la date d'installation originale.

Cette garantie du fabricant n'est pas transférable et ne peut être prolongée ou étendue par aucun de nos représentants quelle qu'en soit la raison.

L'installation doit être faite conformément aux instructions incluses avec le produit et à tous les codes d'incendie et de construction locaux et nationaux. Cette garantie limitée ne couvre pas les dommages causés par un mauvais usage, un manque d'entretien, un accident, des altérations, des abus ou de la négligence, et l'installation de pièces d'autres fabricants annulera cette garantie.

Cette garantie limitée ne couvre pas non plus les égratignures, les bossellements, la corrosion ou la décoloration causés par une chaleur excessive, des produits d'entretien chimiques et abrasifs ou l'écaillage des pièces en porcelaine émaillée, le bris par manipulation des bûches PHAZER^{MD} et des brases.

Au cours de la première année seulement, cette garantie s'étend à la réparation ou au remplacement des pièces garanties dont les matériaux ou la fabrication sont défectueux à la condition que le produit ait été utilisé conformément aux instructions de fonctionnement et dans des conditions normales.

Après la première année, concernant cette Garantie à Vie Limitée, NAPOLÉON® peut, à sa discrétion, se libérer entièrement de toute obligation en ce qui concerne cette garantie en remboursant à l'acheteur d'origine le prix de gros de toute pièce garantie qui est défectueuse.

NAPOLÉON® ne sera pas responsable de l'installation, de la main-d'œuvre ou autres dépenses relatives à la réinstallation d'une pièce garantie et de telles dépenses ne sont pas couvertes par cette garantie.

Nonobstant toutes les dispositions contenues dans la Garantie à Vie Limitée, la responsabilité de NAPOLÉON®, sous cette garantie est définie comme ci-dessus et elle ne s'étendra à aucun dommage accidentel, consécutif ou indirect.

Cette garantie définit l'obligation et la responsabilité de NAPOLÉON® en ce qui concerne les bûches à gaz NAPOLÉON®. Toute autre garantie énoncée ou implicite concernant ce produit, ses composants ou accessoires est exclue.

NAPOLÉON® n'autorise aucun tiers à assumer en son nom, toute autre responsabilité concernant la vente de ce produit. Tout dommage causé au brûleur, aux bûches ou autres composants par l'eau, les intempéries, de longues périodes d'humidité, la condensation, des produits chimiques ou produits d'entretien nuisibles ne seront pas la responsabilité de NAPOLÉON®.

Toutes les pièces remplacées en vertu de la politique de Garantie à Vie Limitée du Président ne peuvent faire l'objet que d'une seule réclamation.

Durant les dix premières années, NAPOLÉON® remplacera ou réparera les pièces défectueuses qui sont couvertes par la garantie à vie limitée à sa discrétion gratuitement. Après les dix premières années, NAPOLÉON® fournira les pièces de rechange à 50 % du prix de détail courant.

Toutes les pièces défectueuses ou les produits soient retournés ou que des photos numérisées soient fournies pour valider la réclamation. Les produits retournés doivent être expédiés port payé au fabricant pour une inspection en usine. Si un produit est déclaré défectueux, le fabricant le réparera ou le remplacera.

Avant d'expédier votre appareil ou les pièces défectueuses, votre détaillant doit obtenir un numéro d'autorisation. Toute marchandise expédiée à notre usine sans autorisation sera refusée et retournée à l'expéditeur.

Les frais d'expédition ne sont pas couverts par cette garantie.

Les frais de déplacement pour main-d'œuvre, de tests de diagnostic, d'expédition et autres frais afférents ne sont pas couverts par cette garantie.

TOUTES LES SPÉCIFICATIONS ET LES CONCEPTIONS SONT SUJETTES À MODIFICATIONS SANS PRÉAVIS EN RAISON DES AMÉLIORATIONS CONSTANTES APPORTÉES AU PRODUIT. NAPOLÉON® EST UNE MARQUE DE COMMERCE DÉPOSÉE DE WOLF STEEL LTÉE.

AVERTISSEMENT

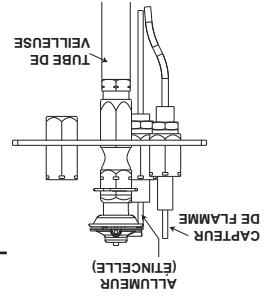
COUPEZ L'ALIMENTATION EN GAZ ET L'ALIMENTATION ÉLECTRIQUE AVANT DE PROCÉDER À L'ENTRETIEN DE L'APPAREIL.

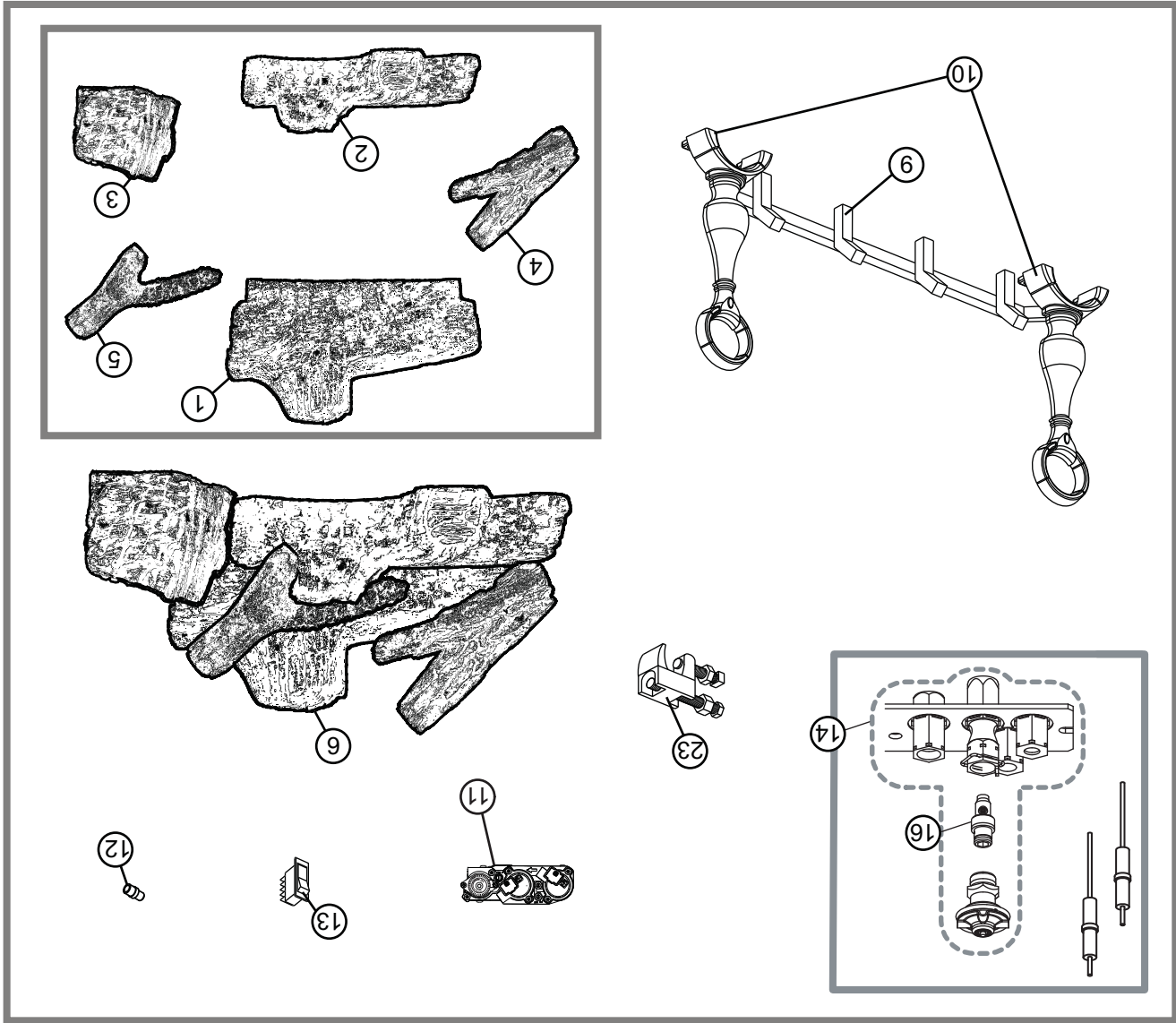
L'APPAREIL PEUT ÊTRE CHAUD. ATTENDEZ QU'IL SOIT REFROIDI AVANT D'EN FAIRE L'ENTRETIEN.

N'UTILISEZ PAS DE PRODUITS ABRASIFS.

SYMPTOM	PROBLEM	TEST SOLUTION
---------	---------	---------------

La veilleuse ne s'allume pas. Il y a du bruit, mais aucune étincelle au brûleur de la veilleuse.	Connexion desserrée.	Vérifiez qu'il n'y ait pas de connexions desserrées, de courts-circuits dans le filage ou des contacts avec des objets métalliques.
Le module d'allumage ne s'allume pas. Il y a du bruit, mais aucune étincelle au brûleur de la veilleuse.	Module d'allumage.	Mettez l'interrupteur MARCHÉ/ARRÊT à « OFF ». Retirez le fil d'allumage « 1 » du module. Mettez l'interrupteur MARCHÉ/ARRÊT à « ON ». Tenez un fil mis à la terre à environ 3/16" de la borne « 1 » sur le module. S'il n'y a pas d'étincelle, la borne « 1 » du module doit être remplacée. S'il y a une étincelle, la borne « 1 » fonctionne bien. Inspectez l'assemblage de la veilleuse pour un fil causant un court-circuit ou un isolateur craqué autour de l'électrode.
Electrode.	Inspectez l'assemblage de la veilleuse pour un fil causant un court-circuit ou un isolateur craqué autour de l'électrode.	
La longueur de l'étincelle est incorrecte.	La longueur de l'étincelle de l'allumeur à la veilleuse devrait être de 0,17" ou 1/8".	Vérifiez les piles
Piles	Une connexion desserrée ou causant un court-circuit.	Retirez et réinstallez le harnais de fils qui se branche dans le module. Retirez et vérifiez la continuité de chaque fil dans le harnais de fils.
Filage d'interrupteur inapproprié.	Réparez le système avec un simple interrupteur MARCHÉ/ARRÊT.	Vérifiez si les assemblages de la veilleuse et de la soupape sont bien mis à la terre au niveau du châssis métallique de l'appareil ou de l'ensemble de bûches.
Étincelle à la veilleuse, mais celle-ci ne s'allume pas.	Alimentation en gaz.	Vérifiez si la soupape à bille de la conduite d'arrivée du gaz est « Ouverte ». Vérifiez si la pression d'arrivée est dans les limites acceptables. La pression d'arrivée ne doit pas excéder 14" de colonne d'eau.
Plus de propane.	Remplissez le réservoir.	





N° DE REF	BÛCHES À GAZ	DESCRIPTION
24*	GD-660	INTERRUPTEUR MURAL AVEC FIL DE 20"
26*	W660-0026	MINUTERIE PROGRAMMABLE
27*	F45	TÉLÉCOMMANDE MARCHE/ARRÊT
27*	F45-6	TÉLÉCOMMANDE MARCHE/ARRÊT - PAQUET
28*	MKRY	ROCHES DE RIVIÈRE GRISES
28*	MKRM	ROCHES DE RIVIÈRE MULTICOLORES

ACCESSOIRES

9.0 RECHANGES

Contactez votre détaillant ou le fabricant pour les questions concernant les prix et la disponibilité des pièces de rechange. Normalement, toutes les pièces peuvent être commandées chez votre détaillant autorisé.
POUR UN REMPLACEMENT DE PIÈCE SOUS GARANTIE, UNE PHOTOCOPIE DE LA FACTURE ORIGI-NALE SERA REQUISE AFIN DE POUVOIR HONORER LA DEMANDE.
 Lorsque vous commandez des pièces, donnez toujours l'information suivante :

- Modèle et numéro de série de l'appareil
- Date d'installation de l'appareil
- Numéro de la pièce
- Description de la pièce
- Fin!

* IDENTIFIEZ LES ARTICLES QUI NE SONT PAS ILLUSTRÉS. POUR PLUS D'INFORMATION, CONTACTEZ VOTRE DÉTAILLANT AUTORISÉ.

AVERTISSEMENT
 OMETTRE DE POSITIONNER LES PIÈCES CONFORMÉMENT AU MANUEL OU D'UTILISER UNIQUEMENT DES PIÈCES SPÉCIFIQUEMENT APPROUVÉES POUR CET APPAREIL PEUT CAUSER DES DOMMAGES MATÉRIELS OU DES BLESSURES CORPORELLES.

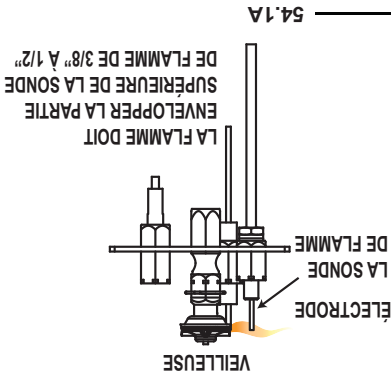
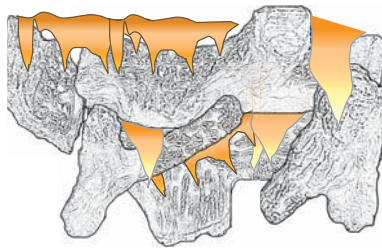
41.1

COMPOSANTS

N° DE REF	BÛCHES À GAZ	DESCRIPTION
1	W135-0205	BÛCHE ARRIÈRE #1
2	W135-0206	BÛCHE CENTRALE #2
3	W135-0207	BÛCHE DROITE #3
4	W135-0208	BÛCHE GAUCHE #4
5	W135-0218	BÛCHE TRANSVERSALE #5
6	GL-644	ENSEMBLE DE BÛCHES
7*	W135-0251	BÛCHE D'EXTÉRIMITÉ DROITE - GL30
8*	W135-0252	BÛCHE D'EXTÉRIMITÉ GAUCHE - GL30
9	W185-0024	CHENET POUR LE GL18
9	W185-0020	CHENET POUR LE GL24
9	W185-0023	CHENET POUR LE GL30
10	W715-0628	BORNES DE CHENET POUR LE GL18 / 24
10	W715-0629	BORNES DE CHENET POUR LE GL30
11	W357-0001	ALLUMEUR PIÉZO ET ÉCROU
11	W725-0062	SOUPAPE SIT - GN
11	W725-0063	SOUPAPE SIT - PL
12	W456-0028	GL18 - INJECTEUR #28 - GN
12	W456-0045	GL18 - INJECTEUR #45 - PL
12	W456-0026	GL24 - INJECTEUR #26 - GN
12	W456-0044	GL24 - INJECTEUR #44 - PL
12	W456-0022	GL30 - INJECTEUR #22 - GN
12	W456-0043	GL30 - INJECTEUR #43 - PL
13	W660-0023	INTERRUPTEUR MARCHÉ/ARRÊT
14	W010-1865	ASSEMBLAGE DE VEILLEUSE - NG
14	W010-1866	ASSEMBLAGE DE VEILLEUSE - PL
15*	W385-0334	LOGO NAPOLÉON
16	W455-0069	PILOT INJECTOR - NG
16	W455-0068	PILOT INJECTOR - LP
17*	W0190-0029	PANNEAU IPI
20*	W010-1260	RECOUVREMENT EN FIBRE DE CÉRAMIQUE
21*	W650-0006	PIÈRES DE LAVÉ
22*	W550-0002	MORCEAUX DE CHARBON
23	W010-1288	BUTÉE DE REGISTRE

7.3 CARACTÉRISTIQUES DES FLAMMES

Il est important d'effectuer périodiquement une inspection visuelle de la flamme de la veilleuse et du brûleur. Comparez-les à ces illustrations. Si des flammes paraissent anormales, contactez un technicien de service.



54.1A

8.0 MAINTENANCE

! AVERTISSEMENT

COUPEZ L'ALIMENTATION EN GAZ ET L'ALIMENTATION ÉLECTRIQUE AVANT DE PROCÉDER À L'ENTRETIEN DE L'APPAREIL.

L'APPAREIL PEUT ÊTRE CHAUD, ATTENDEZ QU'IL SOIT REFROIDI AVANT D'EN FAIRE L'ENTRETIEN.

N'UTILISEZ PAS DE PRODUITS ABRASIFS.

- ATTENTION :** Lors de l'entretien des contrôles, assurez-vous d'identifier chacun des fils avant de les débrancher. Une réinstallation incorrecte des fils peut occasionner un mauvais fonctionnement et être dangereuse. Assurez-vous que l'appareil fonctionne adéquatement une fois l'entretien terminé. Cet appareil et son système d'évacuation devraient être inspectés avant la première utilisation et au moins une fois l'an par un technicien de service qualifié. L'espace entourant l'appareil doit être gardé propre et libre de matériaux combustibles, d'essence ou autres liquides et vapeurs inflammables. Les apports d'air comburant et d'air de convection ne doivent pas être obstrués.
1. Pour nettoyer le brûleur principal et la veilleuse adéquatement, il faut retirer les bûches, les roches ou la vitre afin de dégager les deux ensembles.
 2. Gardez le compartiment des contrôles, les composants décoratifs, le brûleur, le volet d'air et l'espace entourant les bûches propres en brossant ou en passant l'aspirateur au moins une fois l'an.
 3. Assurez-vous que tous les orifices des brûleurs produisent des flammes. Nettoyez tous les orifices qui n'ont pas de flamme ou dont la flamme ne brûle pas adéquatement.
 4. Assurez-vous que la flamme de la veilleuse est assez puissante pour envelopper la sonde de flamme et/ou le thermocouple/thermopile et qu'elle atteigne le brûleur.
 5. Remettez en place les bûches, les roches ou la vitre nettoyées. Omettre de positionner les composants décoratifs adéquatement peut causer des dépôts de carbone qui peuvent se déposer dans des endroits de séjour avoisinants.
 6. Vérifiez si tous les orifices du brûleur principal sont allumés lorsque l'appareil est en marche. Un temps d'allumage total de 5 à 10 secondes est satisfaisant. Si l'allumage prend plus de temps, consultez votre détaillant autorisé.
 7. Inspectez visuellement l'appareil pour des dépôts de carbone. À l'aide d'une balayette ou d'une brosse, enlevez le carbone et aspirez-le avec un aspirateur ou mettez-le au rebut.
 8. Assurez-vous que l'appareil évacue correctement. Assurez-vous que la cheminée est sécuritaire et qu'elle n'est pas obstruée.

40.19

7.0 RÉGLAGES

7.1 RÉGLAGE DE LA VEILLEUSE

Ajustez la vis de la veilleuse pour obtenir une flamme de taille normale. Tournez vers la droite pour réduire l'apport de gaz.

VÉRIFIER LA PRESSION :

Pour vérifier la pression d'arrivée, tournez la vis (A) vers la gauche deux à trois tours, puis embotez le tube du manomètre sur la pointe d'essai. Le manomètre doit indiquer 7 po (minimum 4,5 po) de colonne d'eau pour le gaz naturel ou 13 po (minimum 11 po) de colonne d'eau pour le propane. Assurez-vous que le brûleur principal fonctionne à « H1 ».

La vérification de la pression de sortie s'effectue comme ci-dessus en utilisant la vis (B). Le manomètre doit indiquer

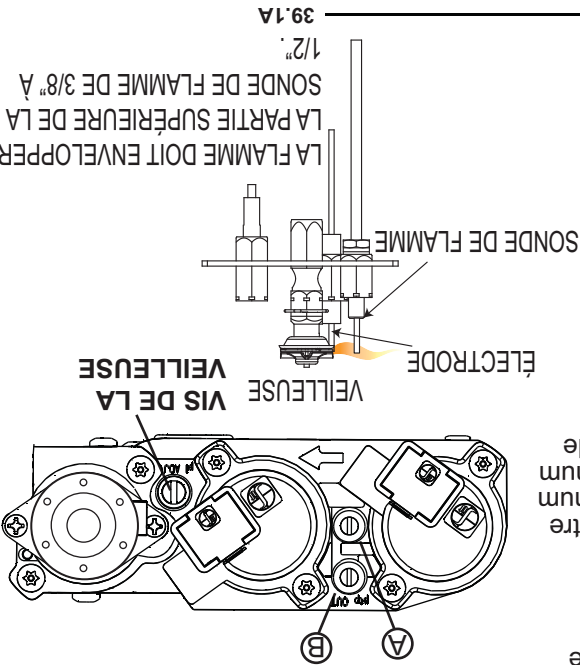
3,5 po de colonne d'eau pour le gaz naturel ou 10 po de colonne d'eau pour le propane. Assurez-vous que le brûleur principal fonctionne à « H1 ».

APRÈS AVOIR PRIS LA LECTURE DES PRESSIONS, ASSUREZ-VOUS DE TOURNER FERMEMENT LES VIS

VERS LA DROITE POUR SCELLER. NE SEREZ PAS

TROP FORT.

Vérifiez pour des fuites en appliquant une solution d'eau savonneuse.

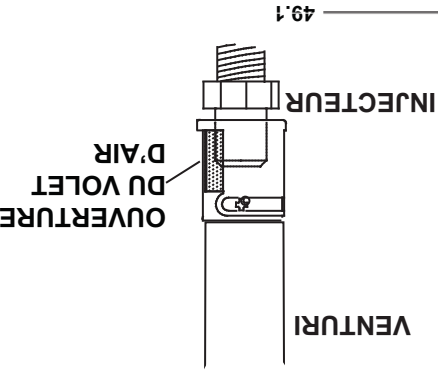


7.2 RÉGLAGE DU VENTURI

L'ouverture du volet d'air a été pré réglée en usine selon le tableau ci-dessous :

Indépendamment de l'orientation du venturi, plus le volet est fermé, plus la flamme est jaune et aura tendance à causer des dépôts de carbone. Plus le volet est ouvert, plus la flamme est bleue et plus elle a tendance à se détacher des orifices du brûleur. La flamme peut ne pas être jaune immédiatement; allouez de 15 à 30 minutes pour que la couleur finale de la flamme se stabilise.

LE RÉGLAGE DU VOLET D'AIR DOIT ÊTRE EXÉCUTÉ PAR UN TECHNICIEN OU INSTALLATEUR QUALIFIÉ!



ENS. DE BÛCHES VOLET D'AIR		
FUEL	NG	LP
GL18	1/8"	1/4"
GL24	1/8"	5/16"
GL30	1/8"	3/8"

6.0 OPÉRATION

Si le foyer est muni de portes vitrées, elles doivent demeurer complètement ouvertes lors du fonctionnement de cet ensemble de bûches à gaz. Gardez le brûleur et le compartiment des contrôles propres.

6.1 INSTRUCTIONS

AVERTISSEMENT

SI CES INSTRUCTIONS NE SONT PAS SUIVIES À LA LETTRE, UN INCENDIE OU UNE EXPLOSION POURRAIENT S'ENSUIVRE, CAUSANT DES DOMMAGES MATÉRIELS, DES BLESSURES CORPORELLES OU DES PERTES DE VIE.

ALLUMEZ TOUJOURS LA VEILLEUSE, QUE CE SOIT POUR LA PREMIÈRE FOIS OU LORSQUE L'APPROVISIONNEMENT EN GAZ EST ÉPUISÉ, AVEC LA PORTE VITRÉE OUVERTE OU RETIRÉE.

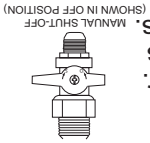
Lorsqu'il est allumé pour la première fois, l'appareil dégagera une légère odeur pendant quelques heures. Cela est une condition normale temporaire causée par le conditionnement des bûches et l'évaporation des peintures et lubrifiants internes utilisés dans le processus de fabrication; elle ne se reproduira plus. Après de longues périodes sans utiliser l'appareil, comme à la suite de vacances ou à la fin de l'été, il se peut qu'une légère odeur se dégage pendant quelques heures. Ceci est causé par des particules de poussière brûlante dans l'échangeur de chaleur. Dans les deux cas, ouvrez une fenêtre pour aérer la pièce.

POUR VOTRE SÉCURITÉ, LISEZ CE QUI SUIT AVANT D'ALLUMER L'APPAREIL :

- A. Ne pas allumer si des enfants ou d'autres individus à risque sont à proximité d'appareil.
- B. Avant d'allumer, sentez autour de l'appareil et près du plancher afin de vous assurer qu'il n'y a pas de fuite de gaz. Certains gaz sont plus lourds que l'air et se déposeront au niveau du plancher.
- C. N'utilisez que votre main pour tourner le bouton de contrôle du gaz. N'utilisez jamais d'outils. Si le bouton ne tourne pas manuellement, n'essayez pas de le réparer. Appelez un technicien qualifié. Forcer le bouton ou tenter de réparer le mécanisme pourrait causer un feu ou une explosion.
- D. N'utilisez pas cet appareil s'il a été plongé dans l'eau, même partiellement. Faites inspecter l'appareil par un technicien qualifié et remplacez toute partie du système de contrôle et toute commande qui ont été plongés dans l'eau.

QUE FAIRE SI VOUS SENTEZ UN ODEUR DE GAZ :

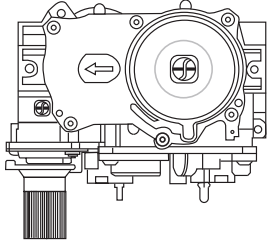
- Coupez l'alimentation en gaz à l'appareil.
- Ouvrez les fenêtres.
- Ne pas tenter d'allumer d'appareil.
- Ne touchez à aucun interrupteur; ne pas vous servir des téléphones se trouvant dans le bâtiment.
- Appelez immédiatement votre fournisseur de gaz depuis un voisin. Suivez les instructions du fournisseur. Si vous ne pouvez rejoindre le fournisseur, appelez le service des incendies.



(SHOWN IN OFF POSITION)
MANUAL SHUT-OFF

INSTRUCTIONS D'ALLUMAGE :

1. Ouvrez la porte vitrée.
2. Retirez les piles.
3. Cet appareil est muni d'un dispositif d'allumage qui allume automatiquement la veilleuse. Ne tentez pas d'allumer la veilleuse manuellement.
4. Tournez la soupape d'arrêt manuelle située derrière l'appareil à « OFF ».
5. Attendez 5 minutes pour que le gaz puisse s'échapper. Si vous détectez une odeur de gaz, incluant au niveau du plancher, Arrêtez! et suivez les instructions ci-dessus « Que faire si vous détectez une odeur de gaz ». Continuez à l'étape suivante si vous ne sentez pas de gaz.
6. Tournez la soupape d'arrêt manuelle vers la gauche à « ON ».
7. Remplacez les piles.
8. Mettez l'interrupteur à « ON » et écoutez le bruit d'allumage.
- 9.



TO TURN OFF GAS:

1. Retirez les piles.
2. Tournez la soupape d'arrêt manuelle vers la droite à « OFF ». Ne forcez pas.

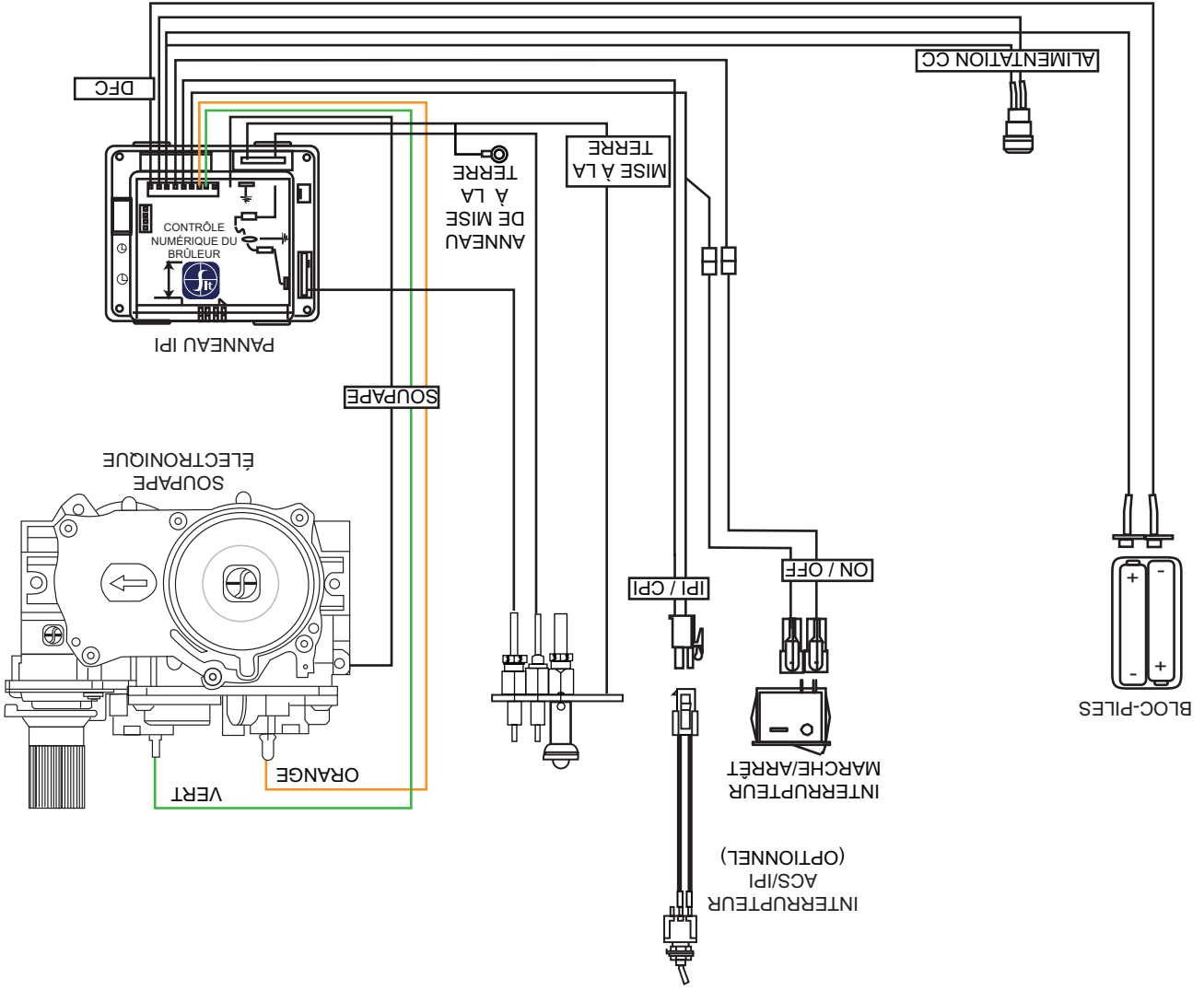
47.19

5.0 SCHEMA DE CÂBLAGE

⚠ AVERTISSEMENT

NE RACCORDEZ PAS L'INTERRUPTEUR MURAL OU LA SOUPAPE DE GAZ À L'ALIMENTATION ÉLECTRIQUE (110 VOLTS).

Cet appareil est muni d'un bloc-piles. Installez 4 piles AA dans le bloc-piles et branchez-le au harnais de fils. Branchez le bloc-piles au harnais de fils avant d'utiliser l'appareil. Il doit être branché au bloc-piles de 6 volts (fournis).



C. Branchez les fils du récepteur aux fils vert et blanc du harnais de fils.



B. Redressez la patte du support et, à l'aide du ruban adhésif à deux côtés fourni, fixez le système de commande à distance sur le support.

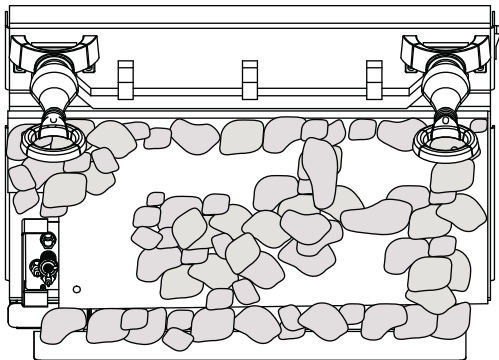


A. Le récepteur doit être installé sur le support situé sur le côté arrière droit du brûleur.

4.7 INSTALLATION DU SYSTÈME DE COMMANDE À DISTANCE

IMPORTANT : N'obstruez pas les orifices du brûleur sur la surface du brûleur. N'obstruez pas les fentes sous, ni derrière les bornes de chenet.

A. Commencez par former de minces amas de roches sur le support à bûches arrière puis progressez ensuite vers l'avant comme illustré. Il est possible que vous deviez enlever une tige de positionnement dans le support arrière afin de faciliter l'installation des amas de roches. Il n'est pas nécessaire d'utiliser toutes les roches.



NE PAS UTILISER DE VRAIES ROCHES DANS CET APPAREIL. LA CHALEUR LES FERA EXPLOSER.

! WARNING

4.6 PLACEMENT DE LA ROCHES OPTIONNELLE

4.4 COMPOSANTS DÉCORATIFS

- A. Placez les pierres de lave ou braises autour de la base de l'appareil en vous assurant de ne pas bloquer les orifices du brûleur ou l'accès à la soupape. Conservez une petite quantité de pierres de lave pour l'étape 3 et s'il y a lieu, l'étape 4.

B. Placez les morceaux de charbon de bois autour de l'avant et des côtés de l'appareil.

C. Utilisez le reste des pierres de lave pour mélanger avec les morceaux de charbon.

D. **GL30 ONLY:** Sprinkle remaining lava rock onto the outer fibre ember beds to hide the seam.

GL30 SEULEMENT : Éparpillez le reste des pierres de lave sur les bûches d'extrémité afin de camoufler le joint.

GL 18



GL 24

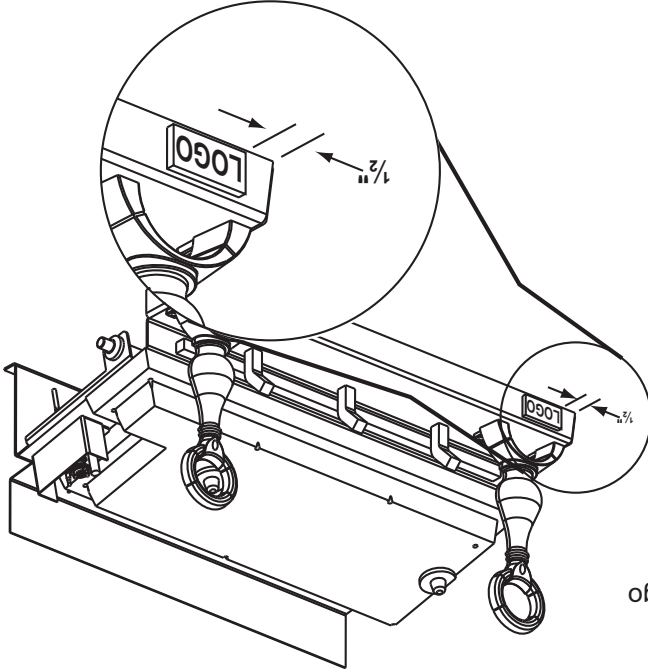


GL 30



4.5 MISE EN PLACE DU LOGO

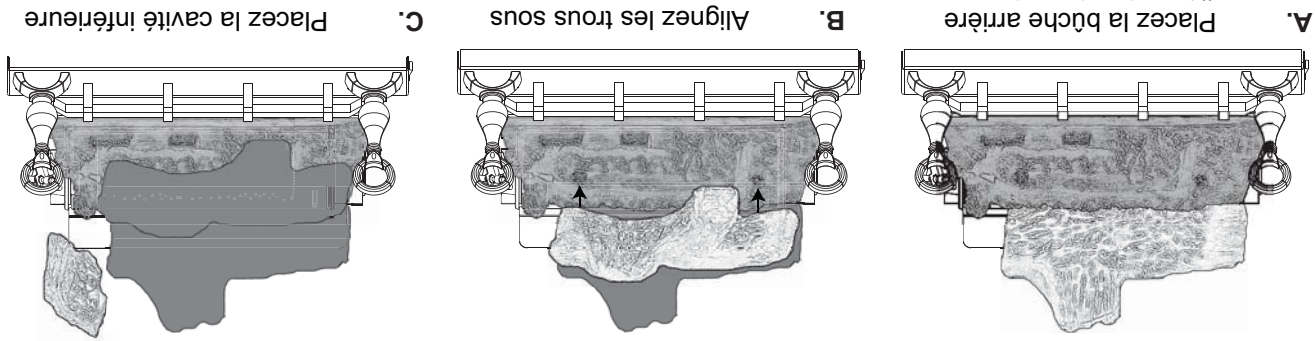
Remove the backing of the logo supplied. Centre the logo on the front of the appliance, 1/2" in from the left side, as shown.



4.3 DISPOSITION DES BÛCHES

! AVERTISSEMENT
<p>OMETTRE DE POSITIONNER LES BÛCHES CONFORMÈMENT AUX SCHEMAS OU OMETTRE D'UTILISER UNIQUEMENT DES BÛCHES SPÉCIFIQUEMENT APPROUVÉES POUR CET APPAREIL PEUT CAUSER DES DOMMAGES MATÉRIELS OU DES BLESSURES CORPORELLES.</p>
<p>LES BÛCHES DOIVENT ÊTRE PLACÉES CORRECTEMENT À L'INTÉRIEUR DE L'APPAREIL. NE CHANGEZ PAS LA POSITION DES BÛCHES CAR L'APPAREIL RISQUE DE NE PAS FONCTIONNER ADEQUATEMENT ET UN RETARD D'ALLUMAGE RISQUE DE SE PRODUIRE.</p>
<p>LES BÛCHES SONT FRAGILES ET DEVIENNAIENT ÊTRE MANIPULÉES AVEC SOIN.</p>

Les bûches PHAZER^{MD}, exclusives aux Foyers Napoléon, créent un effet incandescent réaliste et unique qui est différent dans chaque installation. Le fait de ne pas disposer les bûches selon les directives pourrait occasionner des problèmes de suie.



A. Placez la bûche arrière #1 sur les tiges de positionnement du support à bûches arrière.

B. Alignez les trous sous la bûche #2 sur les aspérités en fibre, comme illustré.

C. Placez la cavité inférieure de la bûche #3 sur le support situé dans le coin avant droit.

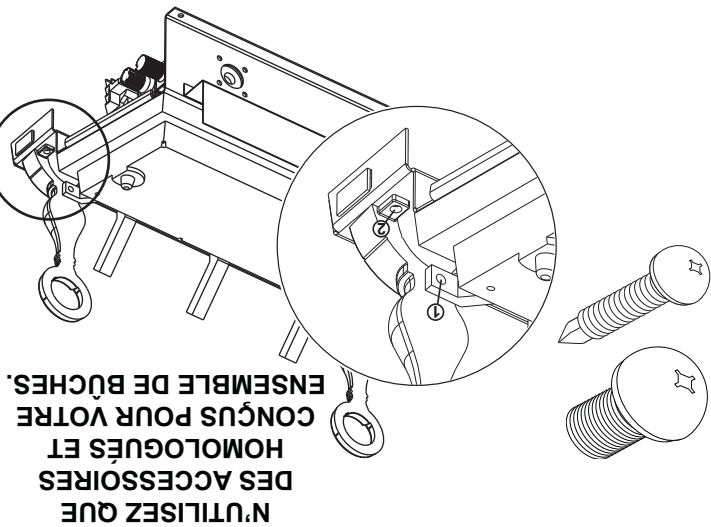
D. Insérez les tiges situées sous la bûche #4 dans les trous à l'extrémité gauche de la bûche #1 et #2.

E. Placez l'extrémité de la bûche #5 sur l'extrémité droite de la bûche #1. La fourche de la bûche devrait contourner le noeud sur le dessus de la bûche #2.

La couleur des bûches peut varier. Lors de la première utilisation de l'ensemble de bûches, les couleurs deviendront plus uniformes à mesure que leurs pigments seront « absorbés » pendant le procédé de « cuisson ». Il se produira des dépôts de carbone et une diminution de flamme si les bûches ne sont pas placées correctement. Le blocage des orifices du brûleur peut créer une flamme irrégulière, des dépôts de carbone et un retard d'allumage. N'utilisez que les bûches certifiées PHAZER^{MD} disponibles chez votre détaillant autorisé.

4.0 FINITIONS

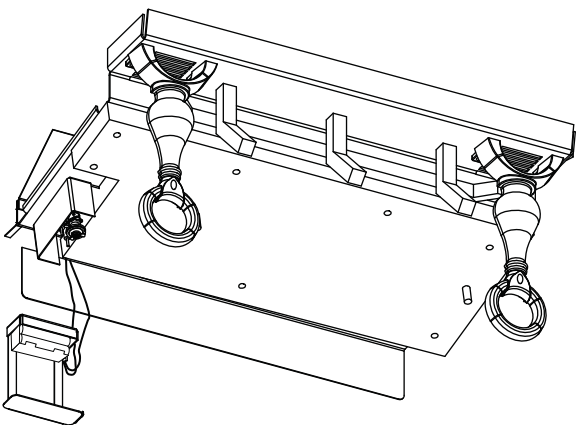
4.1 ASSEMBLAGE DU CHENET ET DES BORNES DE CHENET



N'UTILISEZ QUE
DES ACCESSOIRES
HOMOLOGUÉS ET
CONÇUS POUR VOTRE
ENSEMBLE DE BÛCHES.

- A. Avec les 2 bornes de chenet faisant face vers le bas, fixez le chenet à l'aide des deux boulons 1/4-20 (fournis dans le sac du manuel).
- B. Installez l'assemblage chenet/ bornes de chenet à la base du brûleur à l'aide des quatre vis autoperçuses 1 1/4" (fournies dans le sac du manuel).

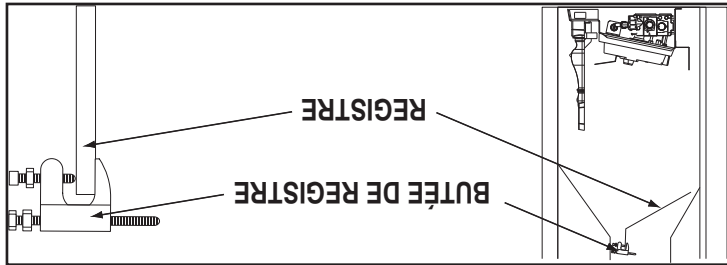
4.2 INSTALLATION DES PILES



- A. Enlevez toutes les bûches.
- B. Le bloc-piles est situé dans le coin arrière droit du brûleur, derrière la veilleuse. S'il y a de l'espace, glissez le bloc-piles vers la droite pour le soulever, sinon soulevez-le soigneusement en vous assurant de ne pas entremêler les fils qui sont branchés au bloc-piles.
- C. Détachez le velcro et remplacez les 4 piles AA.
- D. Remettez en place le bloc-piles et les bûches (voir la section « DISPOSITION DES BÛCHES »).

3.2 INSTALLATION DE LA BUTÉE DE REGISTRE

Le registre doit être fixé en permanence pour éviter qu'il se ferme complètement et pour que le conduit ait une ouverture minimale. Il existe plusieurs méthodes d'installation du registre. Certaines d'entre elles pouvant être interdites selon la région, il serait important de connaître les normes qui s'appliquent à la votre. Pour des raisons pratiques, une butée de registre est fournie avec l'appareil et vous pouvez l'utiliser si l'Etat ou les codes locaux l'autorisent.



Utilisez le bouton réglable de 3" pour ajuster correctement l'ouverture du registre, comme indiqué dans le tableau ci-dessous. Si la butée de registre ne peut être fixée ou ne peut fournir l'ouverture permanente minimale requise selon le tableau ci-contre, coupez le registre ou installez une autre butée.

Avant d'installer un appareil à combustible solide, le conduit de cheminée et la chambre de combustion doivent être nettoyés par un ramoneur qualifié pour enlever la créosote, les cendres et la peinture écaillée. Lors de l'installation, vous devez fermer en permanence les prises d'air extérieur et les chutes à cendre de l'appareil.

- Si la butée de registre (fournie) ne convient pas, le registre peut être fixé en position ouverte de la façon suivante :
- Percez un trou à l'une des extrémités du registre.
- Avec un boulon de longueur et d'ajustement suffisants et deux écrous, fixez le registre.
- Ajustez selon l'ouverture requise.

HAUTEUR DE LA CHEMINÉE		
APPAREIL EN MAÇONNERIE	APPAREIL PRÉFABRIQUÉ	(POUCES CARRÉS)
6	33.8"	6
8	31.2"	8
10	28.7"	10
15	26.1"	15
20	23.7"	20
25	22.7"	25
30	21.6"	30
35		35
40		40

3.0 INSTALLATION

CET APPAREIL DOIT ÊTRE INSTALLÉ DANS UN FOYER À COMBUSTIBLE SOLIDE AVEC UNE CHEMI-NEE FONCTIONNELLE ET FABRIQUÉ DE MATÉRIAUX INCOMBUSTIBLES.

AVERTISSEMENT

L'appareil et les bûches à gaz fonctionnent en tant que système. Si l'appareil ne tire pas de façon adéquate et qu'il refoule dans la pièce (vérifiez avec une allumette ou un bâton de fumée), repositionnez la bûche de registre jusqu'à l'obtention d'un tirage positif en ouvrant le registre. Si une pression négative dans la maison vous empêche d'obtenir un tirage positif, consultez un spécialiste en qualité de l'air.

3.1 CONDUITE DE GAZ

NE RACCORDEZ PAS L'INTERRUPTEUR MURAL, LE THERMOSTAT OU LA SOUPAPE DE GAZ À L'ALIMENTATION ÉLECTRIQUE (110 VOLTS).

AVERTISSEMENT

This appliance must be isolated from the gas supply piping system by closing the individual manual shut off valve during any pressure testing of the gas supply piping system at test pressure equal to or less than 1/2 psi (3.5 kPa)

A. Centrez l'appareil dans le foyer en vous assurant qu'il y ait suffisamment d'espace à l'arrière pour permettre à la conduite de gaz de s'acheminer derrière l'ensemble de bûches sous le support à bûches.

B. Acheminez une conduite de gaz en utilisant une conduite de 1/2" de diamètre ou plus afin de permettre le plein débit de gaz à l'appareil. L'installation de la conduite de gaz doit être faite selon les exigences des normes locales et/ou nationales.

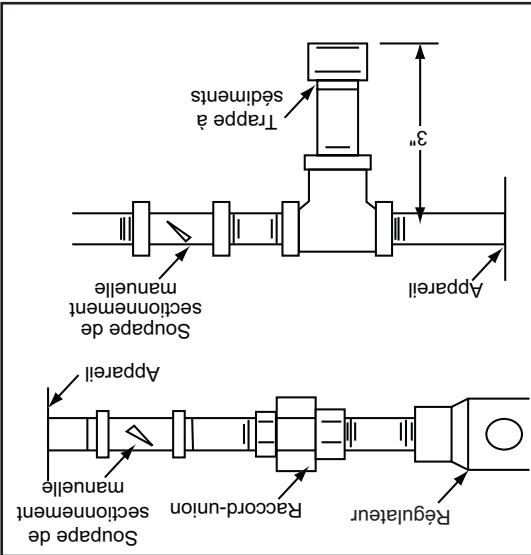
C. Lorsqu'un tuyau rigide est utilisé, une soupape de sectionnement manuelle homologuée ANSI et un raccordement doivent être installés en amont à l'intérieur de l'appareil.

D. Pour assurer que l'appareil fonctionne de façon fiable, installez une trappe à sédiments en amont de l'appareil, à l'intérieur des structures du système de tuyau.

E. Lorsque vous utilisez du propane, un régulateur doit être utilisé entre le réservoir et le mur extérieur de la maison pour assurer que la pression de la conduite ne dépasse pas 14" de colonne d'eau.

F. Vérifiez les raccordements pour des fuites de gaz dans le système avec un appareil détecteur de gaz. Une solution d'eau savonneuse peut aussi être utilisée pour vérifier les fuites.

G. Une fois que tous les raccordements ont été testés pour des fuites, allumez l'appareil. Avant de terminer, suivez les instructions d'allumage pour vous assurer que l'appareil fonctionne adéquatement.



2.2 INFORMATION GÉNÉRALE

! AVERTISSEMENT
 CET APPAREIL NE DOIT PAS ÊTRE INSTALLÉ DANS UNE CHAMBRE À COUCHER OU UNE SALLE DE BAIN.

GL 18		GL 24		GL 30	
Altitude (FT)	0-4,500	0-4,500	0-4,500	0-4,500	0-4,500
Max input (BTU/HR)	55,000	55,000	60,000	65,000	65,000
Min Inlet Gas Supply Pressure	4.5" Water Column	4.5" Water Column	11" Water Column	4.5" Water Column	11" Water Column
Max Inlet Gas Supply Pressure	7" Water Column	7" Water Column	13" Water Column	7" Water Column	13" Water Column
Manifold Pressure (Under Flow Conditions)	3.5" Water Column	3.5" Water Column	10" Water Column	3.5" Water Column	10" Water Column

2.3 DIMENSIONS MINIMALES DE L'APPAREIL

LOG SET	HEIGHT	WIDTH	DEPTH
GL 18	18"	22"	14"
GL 24	20"	28"	14"
GL 30	22"	34"	14"

pas l'ensemble de bûches à gaz dans un foyer plus petit que ce qui est indiqué dans le tableau.

2.4 PLAQUE D'HOMOLOGATION

WARNING: IMPROPER INSTALLATION, ADJUSTMENT, ALTERATION, SERVICE OR MAINTENANCE CAN CAUSE INJURY OR PROPERTY DAMAGE. REFER TO THE OWNERS INFORMATION MANUAL PROVIDED WITH THIS APPLIANCE. FOR ASSISTANCE OR ADDITIONAL INFORMATION, CONSULT A QUALIFIED INSTALLER, SERVICE AGENCY OR THE GAS SUPPLIER.

AVERTISSEMENT : UNE INSTALLATION NON CONFORME, DES AJUSTEMENTS, DES ALTERATIONS, UN SERVICE OU UN ENTRETIEN INADÉQUATS PEUVENT CAUSER DES DOMMAGES MATÉRIELS OU DES BLESSURES CORPORELLES. RÉFÉRENCEZ-VOUS AU MANUEL D'INSTRUCTIONS FOURNI AVEC CET APPAREIL. POUR DE L'AIDE, CONSULTEZ UN INSTALLATEUR QUALIFIÉ, UN AGENCE D'ENTRETIEN OU LE FOURNISSEUR DE GAZ.

NATURAL GAS MODELS
 CERTIFIED FOR CANADA/USA
 REFERENCE # W/N 15987
 GL 18 NE GL 24 NE GL 30 NE

PROpane MODELS
 LE FOURNISSEUR DE GAZ
 GL 18 PE GL 24 PE GL 30 PE

MINIMUM FIREPLACE SIZE / DIMENSIONS MINIMALES DU Foyer

UNIT / APPAREIL	HEIGHT / HAUTEUR	WIDTH / PROFONDEUR	DEPTH / LARGUEUR
GL 18	48"	22"	14"
GL 24	20"	28"	14"
GL 30	22"	34"	14"

FOR MINIMUM CHIMNEY FLUE SEE INSTRUCTION MANUAL FOR LES DIMENSIONS MINIMALES DE LA CHÉMINÉE. CONSULTER LE MANUEL D'INSTRUCTIONS.

FOR INSTALLATION IN A SOLID-FUEL BURNING FIREPLACE ONLY. THE FIREPLACE CHIMNEY MUST HAVE A PERMANENT VENT OPENING TO ATMOSPHERE OF NOT LESS THAN 45.5" FOR GL 18, 49.2" FOR GL 24, 53" FOR GL 30 OR AS DETERMINED BY THE MANUFACTURER'S INSTALLATION INSTRUCTIONS.

FOR YOUR SAFETY: DO NOT STORE OR USE GASOLINE OR OTHER FLAMMABLE VAPOURS AND LIQUIDS IN THE VICINITY OF THIS OR ANY OTHER APPLIANCE.

AVERTISSEMENT : N'AJOUTEZ AUCUN MATÉRIEL À CET APPAREIL QUI ENTRAÎNERA UN CONTACT AVEC LES FLAMMES AUPRES DE CELUI QUI EST FOURNI AVEC CET APPAREIL PAR LE FABRICANT. POUR L'INSTALLATION DANS UN Foyer À COMBUSTIBLE SOLIDE SEULEMENT, LA CHÉMINÉE DU Foyer DOIT POSSEDER UNE OUVERTURE D'ÉVACUATION PERMANENTE À L'AIR EXTÉRIEUR DE NON MOINS DE 45.5" POUR LE GL 18, DE 49.2" POUR LE GL 24 ET DE 53" POUR LE GL 30 OU SELON LES INSTRUCTIONS D'INSTALLATION DU FABRICANT.

POUR VOTRE SÉCURITÉ : N'ENTRÉPOSEZ PAS ET N'UTILISEZ PAS D'ESSENCE OU AUTRES LIQUIDES ET VAPEURS INFLAMMABLES À PROXIMITÉ DE CET OU TOUT AUTRE APPAREIL.


WOLF STEEL LTD.
 24 NAPOLEON ROAD, BARRIE, ONTARIO L4M 0G8 CANADA
 WOLF STEEL USA
 103 Miller Drive, Crittenden, Kentucky, USA, 41030

SERIAL NUMBER, DE SERIE: **GL**
 10385-1870

LA PLAQUE D'HOMOLOGATION EST ATTACHÉE PAR UNE CHAÎNE AU SUPPORT DE L'ALLUMEUR PIÉZO ET EST GÉNÉRALEMENT RANGÉE SOUS L'ASSEMBLAGE.

Cette illustration est à titre de référence seulement. Consultez la plaque d'homologation pour obtenir l'information précise.

2.1 INSTRUCTIONS GÉNÉRALES

 AVERTISSEMENT
<p>ALLUMEZ TOUJOURS LA VEILLEUSE, QUE CE SOIT POUR LA PREMIÈRE FOIS OU LORSQUE L'APPROVISIONNEMENT EN GAZ EST ÉPUISÉ, AVEC LA PORTE VITRÉE OUVERTE OU RETIRÉE. PRÉVOYEZ UN ACCÈS SUFFISANT POUR ENTRETEENIR ET OPÉRER L'APPAREIL. ASSUREZ-VOUS D'UNE QUANTITÉ SUFFISANTE D'AIR DE VENTILATION. N'OBSTRUEZ JAMAIS L'OUVERTURE DE L'APPAREIL. LES OBJETS PLACÉS DEVANT L'APPAREIL DOIVENT ÊTRE GARDÉS À UNE DISTANCE D'AU MOINS 48" DE LA FACE VITRÉE DE L'APPAREIL. LES SURFACES AUTOUR ET SURTOUT AU-DESSUS DE L'APPAREIL PEUVENT DEVENIR CHAUDES. NE TOUCHEZ PAS L'APPAREIL QUAND IL FONCTIONNE. RISQUE D'INCENDIE OU D'EXPLOSION.</p>
<p>LES PRESSIONS ÉLEVÉES ENDOMMAGERONT LA SOUPAPE. L'ALIMENTATION EN GAZ DOIT ÊTRE DÉBRANCHÉE PENDANT LES ESSAIS DE PRESSION DE CE SYSTÈME LORSQUE LES PRESSIONS D'ESSAI EXCÈDENT ½ LB/PO² (3,5 KPA). FERMEZ LA SOUPAPE D'ARRÊT MANUELLE PENDANT TOUT ESSAI DE PRESSION DU SYSTÈME D'ALIMENTATION EN GAZ LORSQUE LA PRESSION EST DE ½ LB/PO² (3,5 KPA) OU MOINS. N'UTILISEZ QUE LES ACCESSOIRES OPTIONNELS ET LES PIÈCES DE RECHANGE APPRouvées PAR WOLF STEEL POUR CET APPAREIL. L'UTILISATION D'ACCESSOIRES NON LISTÉS (SOUFFLERIE, PORTES, PERSIENNES, MOULURES, COMPOSANTS DE GAZ, COMPOSANTS D'ÉVACUATION, ETC.) POURRAIT ÊTRE NON SÉCURITAIRE ET ANNULER LA GARANTIE ET LA CERTIFICATION.</p>

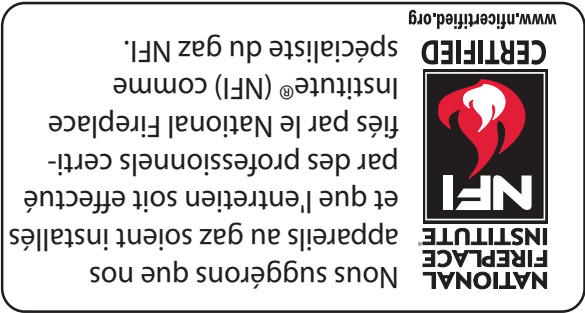
Nettoyez soigneusement la cheminée, le conduit et l'appareil avant d'y installer le nouvel appareil. Ne brûlez pas de combustibles solides dans un appareil équipé de cet ensemble de bûches à gaz.

L'installation de cet appareil doit être conforme aux codes locaux. En l'absence de codes locaux, elle doit se conformer aux normes ANSI Z.223.1 ou CAN/CGA B149.

Ne faites pas fonctionner l'appareil à proximité d'essence ou autres liquides et vapeurs inflammables. Gardez l'emplacement libre de tout autre matériau combustible. La soupape de l'appareil doit être débranchée de la ligne d'alimentation en gaz pendant tout essai de pression de ce système.

Les pratiques d'installation peuvent varier d'une région à l'autre. Il est donc important de connaître les normes spécifiques qui s'appliquent à votre région. Par exemple dans l'État du Massachusetts :

- Ce produit doit être installé par un plombier certifié ou un installateur pour le gaz lorsque installé dans le Commonwealth du Massachusetts.
- Le registre de l'appareil doit être enlevé ou bloqué en le soudant en position ouverte avant d'installer un encastrement ou un ensemble de bûches à gaz.
- La soupape d'arrêt doit être un robinet à gaz avec une poignée en T.
- Le raccord flexible ne doit pas mesurer plus que 36 pouces.
- L'appareil n'est pas approuvé pour installation dans une chambre à coucher ou une salle de bain à moins d'être un appareil avec une chambre de combustion scellée à évacuation directe.
- Un détecteur de monoxyde de carbone est requis dans toutes les pièces contenant des appareils alimentés au gaz.



Nous suggérons que nos appareils au gaz soient installés et que l'entretien soit effectué par des professionnels certifiés par le National Fireplace Institute® (NFI) comme spécialiste du gaz NFI.

Aucune alimentation électrique externe (110 volts ou 24 volts) n'est requise pour le fonctionnement du système.

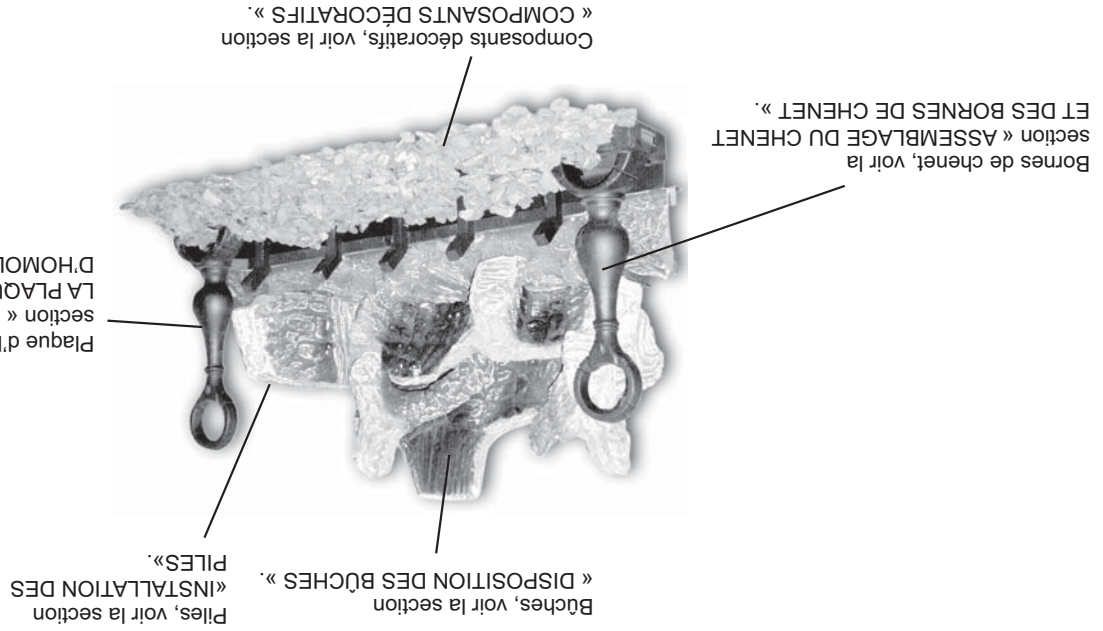
2.0 INTRODUCTION

AVERTISSEMENT

- CET APPAREIL EST CHAUD LORSQU'IL FONCTIONNE ET PEUT CAUSER DE GRAVES BRULURES EN CAS DE CONTACT.
- TOUTE MODIFICATION APPORTÉE À CET APPAREIL OU AUX CONTRÔLES PEUT ÊTRE DANGEREUX ET EST INTERDIT.

- Ne faites pas fonctionner l'appareil avant d'avoir lu et compris les instructions d'opération. Omettre d'utiliser l'appareil selon les instructions d'opération pourrait causer un incendie ou des blessures.
- Risque d'incendie ou d'asphyxie. Ne faites pas fonctionner l'appareil avec la vitre retirée.
- Ne branchez pas la soupape à du courant 110 volts.
- Risque de brûlures. L'appareil doit être éteint et refroidi avant d'effectuer un entretien.
- N'installez pas de composants endommagés ou incomplets ni des composants substitués.
- Risque de coupures et d'éraflures. Portez des gants protecteurs et des lunettes de sécurité lors de l'installation.
- Les bordures des pièces de métal peuvent être coupantes.
- Ne brûlez pas de bois ou autres matériaux dans cet appareil.
- Les jeunes enfants doivent être surveillés attentivement lorsqu'ils sont dans la même pièce que l'appareil. Les jeunes enfants et autres personnes à risque sont sujets aux brûlures accidentelles. Une barrière de protection est recommandée si des individus à risque se trouvent dans la maison. Afin de restreindre l'accès à l'appareil, installez une barrière de protection ajustable pour garder les jeunes enfants ou autres personnes à risque hors de la pièce et loin des surfaces chaudes.
- Les vêtements et autres matériaux combustibles ne doivent pas être posés sur l'appareil ou à proximité.
- En raison des températures élevées, l'appareil devrait être placé loin des endroits passants et loin des meubles et des rideaux.
- Assurez-vous de disposer de mesures de sécurité adéquates pour empêcher les jeunes enfants de toucher aux surfaces chaudes.
- Même une fois que l'appareil est éteint, la vitre et/ou le pare-étincelles demeureront chauds pendant un temps prolongé.
- Consultez votre détaillant local de foyer pour connaître les grillages de sécurité et les écrans offerts pour protéger les enfants des surfaces chaudes. Ces grillages de sécurité et ces écrans doivent être fixés au plancher.
- Les grillages de sécurité ou écrans enlevés pour faire l'entretien devront être remis en place avant d'utiliser l'appareil.
- Cet appareil est un appareil à gaz ventilés. Ne brûlez pas de bois ou autres matériaux dans cet appareil. Il est primordial de garder propres les compartiments de contrôle, les brûleurs, la soufflerie, les bouches d'air de l'appareil ainsi que le système d'évacuation. L'appareil et son système d'évacuation doivent être inspectés avant la première utilisation et au moins une fois l'an par un spécialiste en entretien. Un entretien plus fréquent pourrait être nécessaire en raison des peluches provenant des tapis, literie, etc. L'emplacement de l'appareil doit être gardé libre de tous matériaux combustibles, essence ou autres liquides et vapeurs inflammables.
- Cet appareil ne devra être modifié en aucun cas.
- Cet appareil ne doit pas être raccordé au conduit d'une cheminée desservant un autre appareil de chauffage à combustible solide.
- N'utilisez pas cet appareil si une partie quelconque a été submergée. Contactez immédiatement un technicien de service qualifié pour inspecter l'appareil et pour remplacer toute pièce du système de contrôle et du contrôle du gaz qui aurait été submergée.
- Ne pas opérer l'appareil lorsque la porte vitrée est enlevée, fissurée ou brisée. Le remplacement de la vitre devra être effectué par un technicien de service certifié ou qualifié.
- Ne frappez pas et ne claquez pas la porte vitrée de l'appareil.
- Seules les portes/façades certifiées pour cet appareil peuvent être utilisées avec cet appareil.
- Gardez les matériaux d'emballage hors de la portée des enfants et mettez ces matériaux au rebut de façon sécuritaire. Comme tous les emballages de plastique, ces matériaux ne sont pas des jouets et doivent demeurer hors de la portée des enfants et des bébés.
- Comme dans le cas de tout appareil à combustion, il est recommandé de faire inspecter et entretenir votre appareil régulièrement. De même, installez un détecteur de monoxyde de carbone dans la pièce pour vous protéger, ainsi que votre famille, contre les intoxications.
- Assurez-vous que les distances requises pour les dégagements aux matériaux combustibles sont respectées lorsque vous installez une tablette décorative ou des tablettes au-dessus de l'appareil. En raison des températures élevées, un téléviseur ou d'autres composants électroniques pourraient être endommagés prématurément ou ils pourraient fondre, se déformer ou se décolorer.

1.0 VUE D'ENSEMBLE DE L'INSTALLATION



NOTE : Les modifications, autres qu'éditoriales, sont indiquées par une ligne verticale dans la marge.

TABLE DES MATIÈRES

1.0	VUE D'ENSEMBLE DE L'INSTALLATION	2
2.0	INTRODUCTION	3
	2.1 INSTRUCTIONS GÉNÉRALES	4
	2.2 INFORMATION GÉNÉRALE	5
	2.3 DIMENSIONS MINIMALES DE L'APPAREIL	5
	2.4 PLAQUE D'HOMOLOGATION	5
3.0	INSTALLATION	6
	3.1 CONDUITE DE GAZ	6
	3.2 INSTALLATION DE LA BUTÉE DE REGISTRE	7
4.0	FINITIONS	8
	4.1 ASSEMBLAGE DU CHENET ET DES BORNES DE CHENET	8
	4.2 INSTALLATION DES PILES	8
	4.3 DISPOSITION DES BÛCHES	9
	4.4 COMPOSANTS DÉCORATIFS	10
	4.5 MISE EN PLACE DU LOGO	10
	4.6 PLACEMENT DE LA ROCHE OPTIONNELLE	11
	4.7 INSTALLATION DU SYSTÈME DE COMMANDE À DISTANCE	11
5.0	SCHEMA DE CABLAGE	12
6.0	OPÉRATION	13
	6.1 INSTRUCTIONS	13
7.0	RÉGLAGES	14
	7.1 RÉGLAGE DE LA VEILLEUSE	14
	7.2 RÉGLAGE DU VENTURI	14
	7.3 CARACTÉRISTIQUES DES FLAMMES	15
8.0	MAINTENANCE	15
9.0	RECHANGES	16
10.0	GUIDE DE DÉPANNAGE	18
11.0	GARANTIE	20
12.0	HISTORIQUE D'ENTRETIEN	21

INSTALLATEUR : LAISSEZ CE MANUEL AVEC L'APPAREIL.
 PROPRIÉTAIRE : CONSERVEZ CE MANUEL POUR CONSULTATION ULTÉRIEURE.
 NE LAISSEZ PAS LES ENFANTS OU AUTRES INDIVIDUS À RISQUE SEULS À PROXIMITÉ DE L'APPAREIL.

INSTRUCTIONS D'INSTALLATION ET D'OPÉRATION

HOMOLOGUÉS SELON LES NORMES ANSIS Z21.60 / CSA 2.26 OUR LES APPAREILS DÉCORATIFS AU GAZ, POUR INSTALLATION
 DANS DES APPAREILS À COMBUSTIBLE SOLIDE.



**GL18NE, GL24NE,
 GL30NE**
 GAZ NATUREL

**GL18PE, GL24PE,
 GL30PE**
 PROPANE

CERTIFIÉ POUR LE CANADA ET LES ÉTATS-UNIS SELON LES MÉTHODES ANSIS/CSA.

CONSIGNES DE SÉCURITÉ

⚠ AVERTISSEMENT
 Si ces instructions ne sont pas suivies à la
 lettre, un incendie ou une explosion pourraient
 s'ensuivre, causant des dommages matériels,
 des blessures corporelles ou des pertes de vie.

- N'entrez pas et n'utilisez pas d'essence ou autres liquides et vapeurs inflammables à proximité de cet appareil ou tout autre appareil.
- QUE FAIRE SI VOUS DÉTECTEZ UNE ODEUR DE GAZ :
 - N'allumez aucun appareil.
 - Ne touchez à aucun interrupteur électrique;
 - n'utilisez aucun téléphone dans votre immeuble.
 - Appelez immédiatement votre fournisseur de gaz d'un téléphone voisin. Suivez ses instructions.
 - Si vous ne pouvez pas rejoindre votre fournisseur de gaz, appelez le service des incendies.
- L'installation et l'entretien doivent être faits par un installateur qualifié, une agence d'entretien ou le fournisseur.

Cet appareil peut être installé dans une maison préfabriquée (mobile) déjà installée à demeure si les réglages locaux le permettent.
 Cet appareil doit être utilisé uniquement avec le type de gaz indiqué sur la plaque signalétique. Cet appareil ne peut être converti à d'autres gaz, sauf si une trousse de conversion est utilisée.

