



DIRECT DRAW DISPENSER

PRO-LINE™ E-SERIES™ 59" - 3 KEG

- Designed by beer-industry experts for performance and value
- Front breathing for cooling and exhaust
- Integrated glass rinser: condition the glass before pouring
- Full-size drain tray – larger work area and improved hygiene



MDD58-E
Black



> Integrated water glass rinser



*Adjustable Digital Thermostat!
Easy to read exterior mounted*



MDD58S-E
Stainless Steel



Listed by Edison Testing Laboratories.
Conforms to UL & NSF Standards.



www.micromatic.com • 1 (866) 327-4159

PRO-LINE™ E-SERIES™ 59" - 3 KEG

Job Number: _____ Location: _____

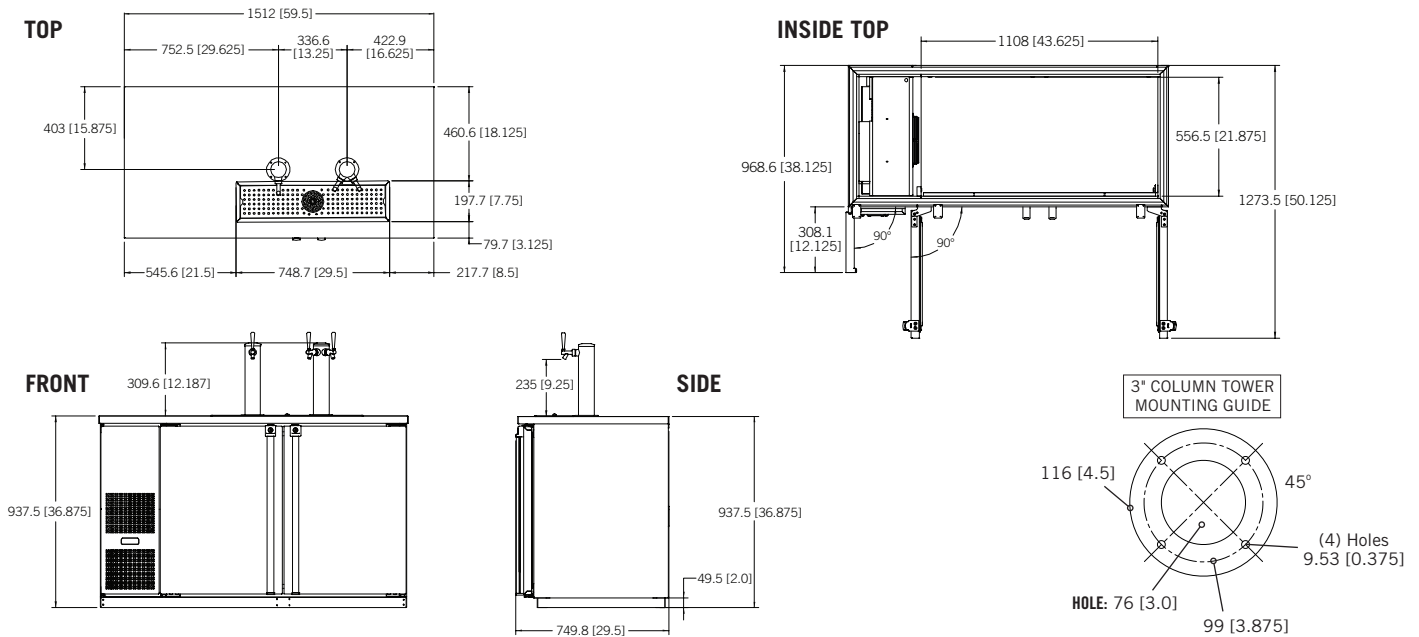
Part No.	Finish	Doors	Shipping Weight
<input type="checkbox"/> MDD58-E	Black with Solid Doors	2	144 kg 318 lb
<input type="checkbox"/> MDD58S-E	Stainless Steel with Solid Doors	2	144 kg 318 lb

Operating Performance

Keg Capacity	2 - 1/2 Kegs & 1 - 1/4 Slim	Running Amps	6.5
Cubic Feet (liters)	23.7 (670)	Voltage	115/60/1
Draft Towers	2	Plug Type	NEMA-5-15P
Faucets	3	Cord Length	8'
Beer Tower Approval	NSF 7.0 & NSF 18	Refrigerant	R-134a
Approval	ETL Listed, Energy Star	Charge oz (grs)	9.8
Condenser HP	1/3		

Exterior	All Models: 18 gauge 201 grade stainless steel (s/s) top, 22 gauge solid doors, 24 gauge steel front, sides and back. Black Models: Front, sides, back and doors black vinyl over steel. S/S Models: Front, sides, back and doors are s/s.
Interior	20 gauge stainless steel floor and walls, rugged false floor, reinforced frame
Ventilation	Front breathing for cooling and exhaust
Plumbing	Automatic condensate evaporator, no drain connection required. Evaporator condensate has been plumbed to a condensate pan located in the compressor housing
Glass Rinser	15-20 PSI water connection
Insulation	Foamed-in-place using high density, CFC-free polyurethane; 2" top, walls and floor
Accessories	Castors or 6" fixed legs

Dimensions



 **MICRO MATIC**
 Toll-Free: 1-866-327-4159
www.micromatic.com

West
 1791 Bahama St.
 Northridge, CA 91324
 Tel. (818) 701-9765
 Fax. (818) 701-9844

Central
 10726 North Second St.
 Machesney Park, IL 61115
 Tel. (815) 968-7557
 Fax. (815) 968-0363

Southeast
 2386 Simon Ct.
 Brooksville, FL 34604
 Tel. (352) 799-6331
 Fax. (352) 796-2429

Northeast
 4601 Saucon Creek Rd.
 Center Valley, PA 18034
 Tel. (610) 625-4464
 Fax. (610) 625-4466