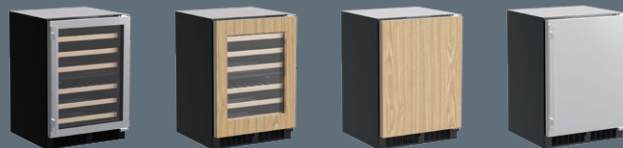


## Fresh Living Tip

Not only can you store both reds and whites in separate, independently controlled compartments, but you can also opt to program one for long-term storage and another for serving temperature. Dual zone wine storage gives you the best of both worlds.

## FINISH OPTIONS



# 24" Marvel High-Efficiency Dual Zone Wine Refrigerator

MLWD224

### Storage Adaptability

- 4.9 cu. ft. capacity stores 40 bottles of wine
- Upper zone includes (3) 8-bottle wine racks and lower zone includes (1) 8-bottle wine rack and (2) 4-bottle half-depth wine racks
- Accommodates a variety of bottle sizes including champagne and magnum bottles
- $\frac{3}{4}$  extension smooth-glide ball-bearing shelving provides easy access to your collection
- Heavy-gauge wire wine racks safely cradle each wine bottle and prevent jarring

### Performance

- Two independently-controlled temperature compartments provide dual options for storing and/or serving
- Dynamic cooling technology delivers precise temperature stability and frost-free operation for an optimal wine preservation environment
- Proprietary shelving design allows temperature-controlled air to circulate throughout cabinet for consistency from top to bottom
- Vibration Neutralization System protects wine from agitation, allowing it to come to full maturation
- Thermal-efficient cabinet ensures optimum wine preservation and energy efficiency while maximizing capacity
- Argon-filled, UV-resistant tinted dual pane glass door protects contents from damaging ultraviolet light and helps conserve energy
- Sound-buffering design

### Convenient Controls

- Multifunction controls allow you to select a precise temperature for each zone
- Features easy-to-use settings and options

### Warranty

- 1-year parts and labor warranty and 5-year sealed system parts warranty



*The oenophile's match for precise dual zone wine storage, the Marvel Dual Zone Wine Refrigerator offers two independently controlled compartments for 40 bottles of wine. Wine aficionados are pairing traditional wine cellar storage with the precise refrigeration technology of wine preservation systems like Marvel to meet the storing and serving ideals for every unique bottle of wine.*

### Fit & Finish

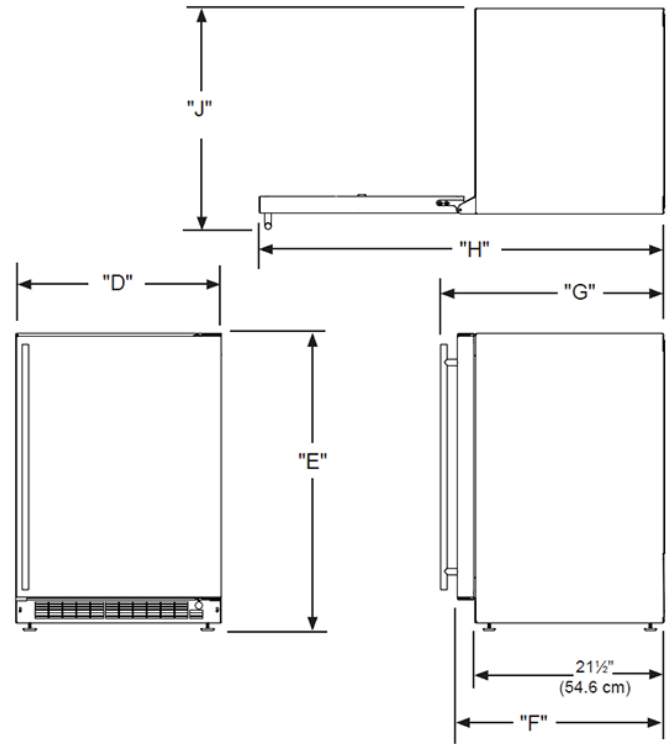
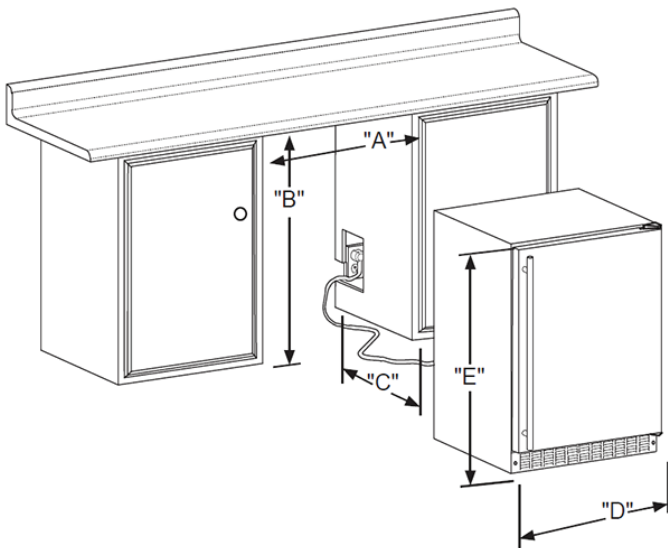
- Elegant midnight black interior and arctic white LED interior lighting
- Solid natural maple shelf fronts, stainable to match cabinetry
- Reversible door allows for right or left swing for adaptable installation
- Black toe kick adjustable to 4" with leveling legs

DOOR STYLE	MODEL NUMBER
Stainless Steel Frame Glass	MLWD224-SG01A
Panel Ready Frame Glass	MLWD224-IG01A
Solid Panel Ready	MLWD224-IS01A
Solid Stainless Steel	MLWD224-SS01A



- Thermal-efficient finished cabinet design
- Reversible door
- Arctic white lighting
- Precise temp control
- ¾ extension smooth-glide shelving
- Fits magnum and champagne bottles
- (2) independently controlled zones
- Heavy-gauge wire racking
- 40-bottle capacity
- Vibration neutralization system

H: 33 3/4" W: 23 7/8" D: 26 7/32" (with handle)



**Rough In Dimensions\***

"A"	"B"	"C"
24"	34-1/4" to 35-1/4"	24"
(61 CM)	(87 CM to 89.5 CM)	(61 CM)

**Cabinet Dimensions\***

"D"	"E"	"F"	"G"	"H"	"J"
23-7/8"	33-5/8" TO 34-5/8"	23-5/8"*	26-1/8"*	47-3/4"*	26-1/2"*
(60.7 CM)	(85.4 CM TO 87.9 CM)	(60 CM)	(66.3 CM)	(146.6 CM)	(67.3 CM)

\*Stainless steel model dimensions only. For panel-ready models, see the owner's guide online at [marvelrefrigeration.com](http://marvelrefrigeration.com).

- Capacity** 4.9 CU. FT.
- Control Type** Electronic
- Sabbath Mode** Yes
- Temperature Range** Upper Zone: 38°F to 45°F, Lower Zone: 38°F to 65°F
- Handle Style** F Slim (handle not included on panel-ready models)
- Hinge Type** Reversible
- Interior Lighting** White LED
- Shelving System** ¾ Extension Smooth-Glide Wire Shelving
- Toe Grille Finish** Black

- Lock** No
- Electrical Requirements** 115V / 60 Hz / 15A
- Cord Length** 6 FT.
- Shipping Dimensions** 28" W x 31" D x 37" H
- Shipping Weight** 160 LBS
- Agency Approval** UL
- Refrigerant Type** R600a

For comprehensive installation instructions, including panel overlay details, please visit [marvelrefrigeration.com](http://marvelrefrigeration.com) to access the owner's guide.

