

**EDGE STAR®**

# COMMERCIAL BEVERAGE MERCHANDISER

MODEL: VBM101SS



## FEATURES:

- 10.1 cubic feet of storage capacity
- Approved for commercial use
- Sleek stainless steel door
- Efficient compressor cooling for your beverages
- Adjustable vinyl coated adjustable shelves
- Included door lock
- Reversible door
- Front venting for built-in or freestanding installations
- CSA Sanitation certified
- Soft white LED interior lighting
- Temperature range of 34 - 64° F
- Simple controls and clear digital display



**EDGE STAR.COM**

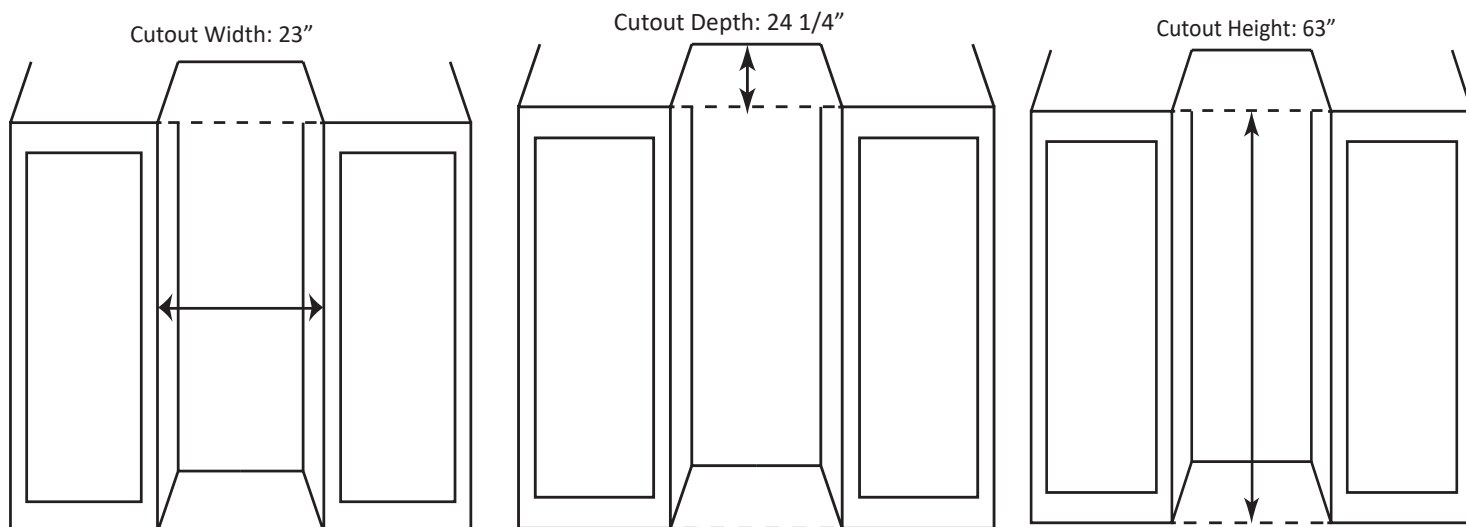
©2020 Ferguson Enterprises, LLC MMY #REF#

## CUTOUT DIMENSIONS

WIDTH

DEPTH

HEIGHT



Opening Width (W)	23"
Opening Depth (D)	24 1/4"
Opening Height (H)	63"

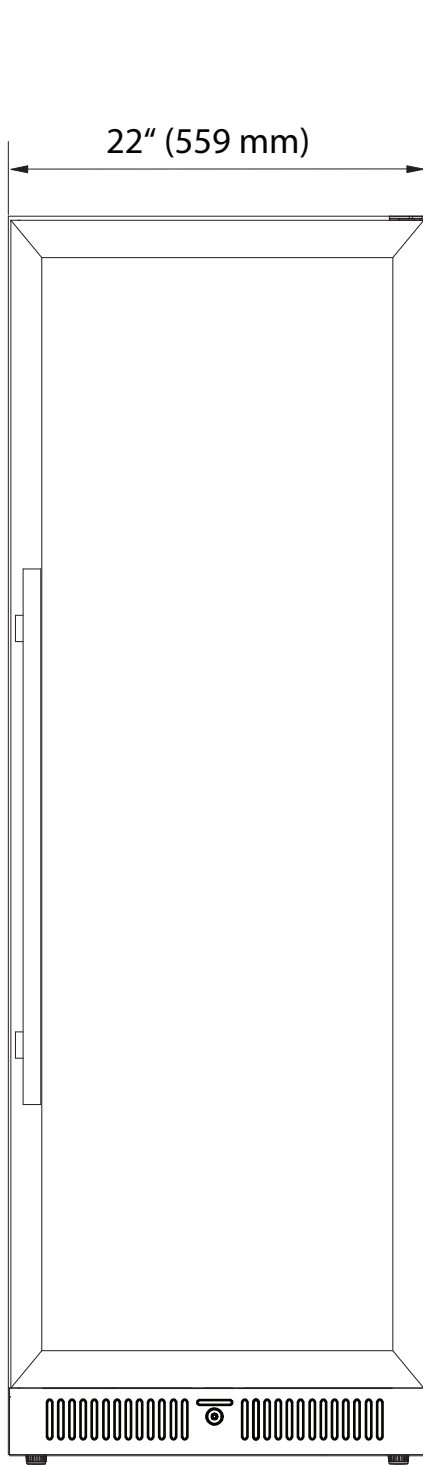
## SPECIFICATIONS

MODEL #	VBM101SS
Capacity (Cu Ft)	10.1
Capacity (12 oz. Cans)	128
Temperature Range	34 - 64°F
Lighting	White LED
Refrigerant	R600a, 1.1 oz.
Product Width	22"
Product Depth	23 1/2"
Product Depth with Handle	25 5/16"
Height	62 1/2"
Net Weight	155 lbs.
Amps	1.4
Electrical Supply	115V, 60 Hz

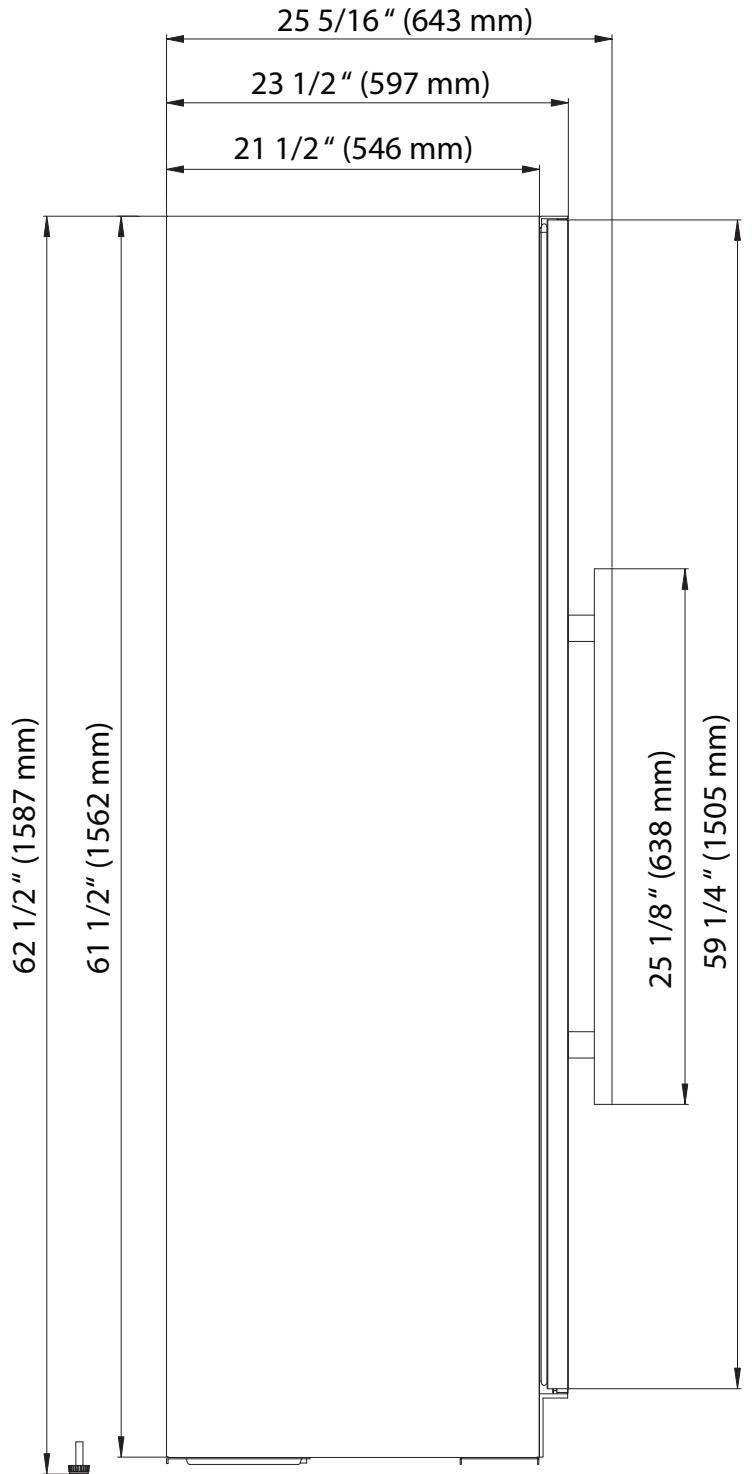
**WARRANTY:**

1 Year Limited Parts and Labor

# EXTERIOR DIMENSIONS

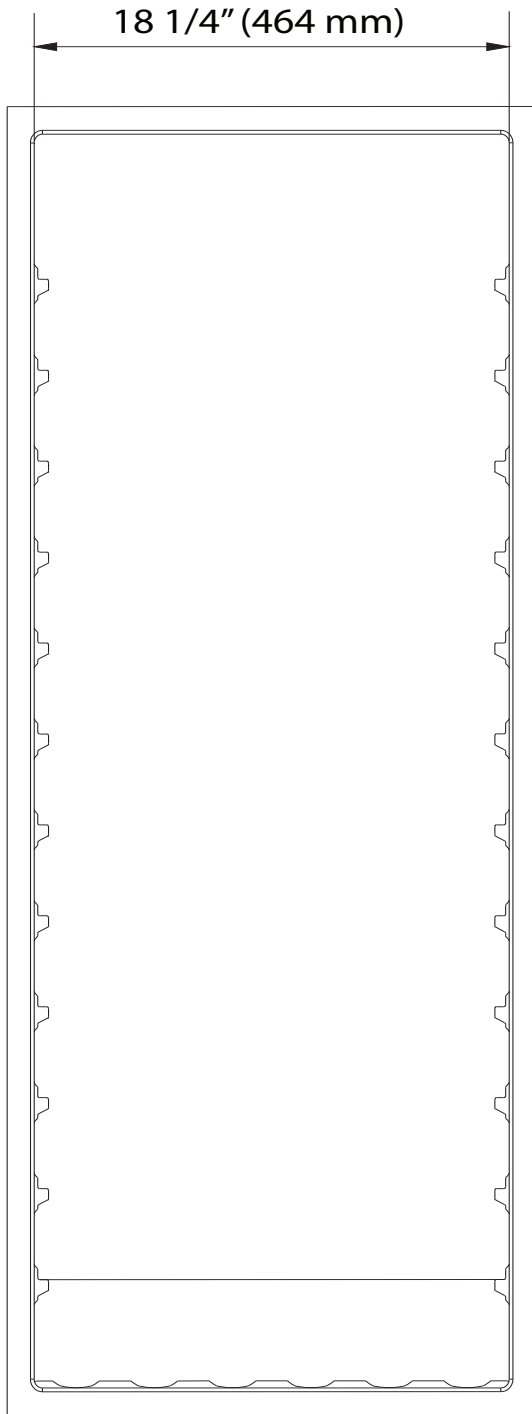


Front View

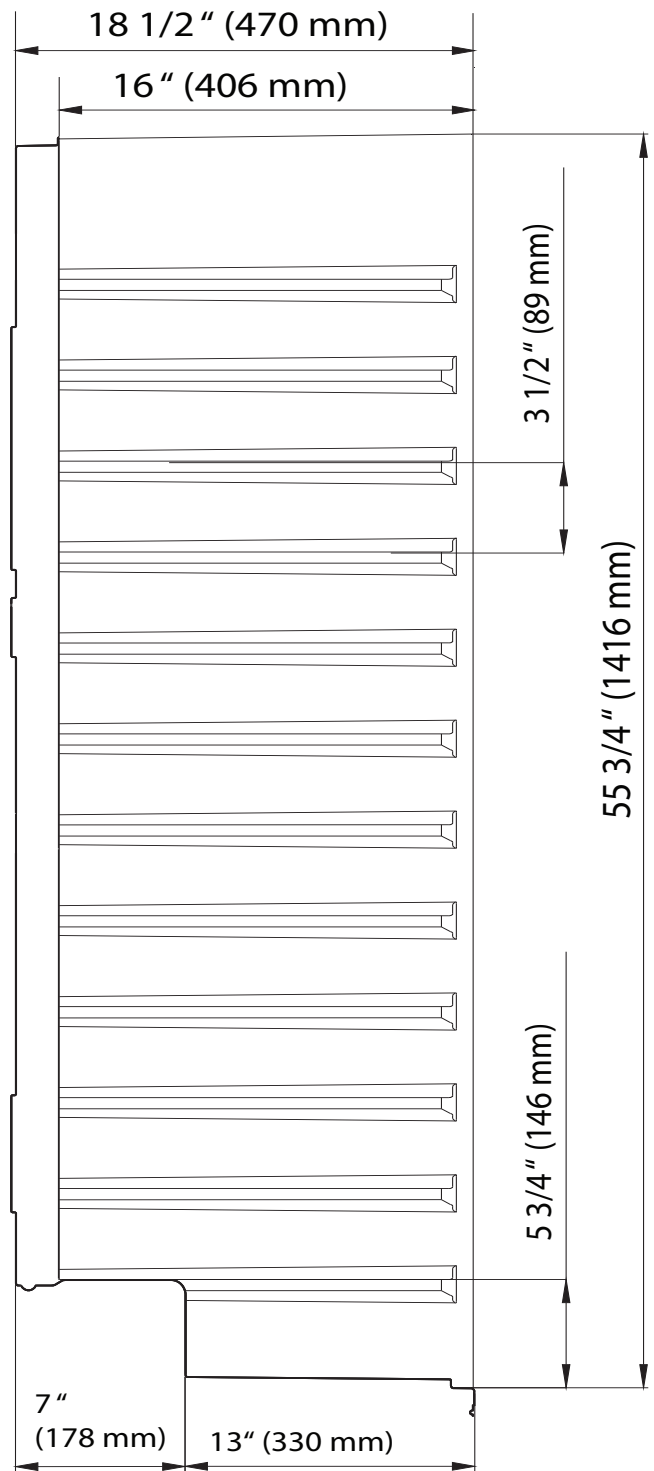


Side View

# INTERIOR DIMENSIONS



Front View



Side View

DOOR SWING

