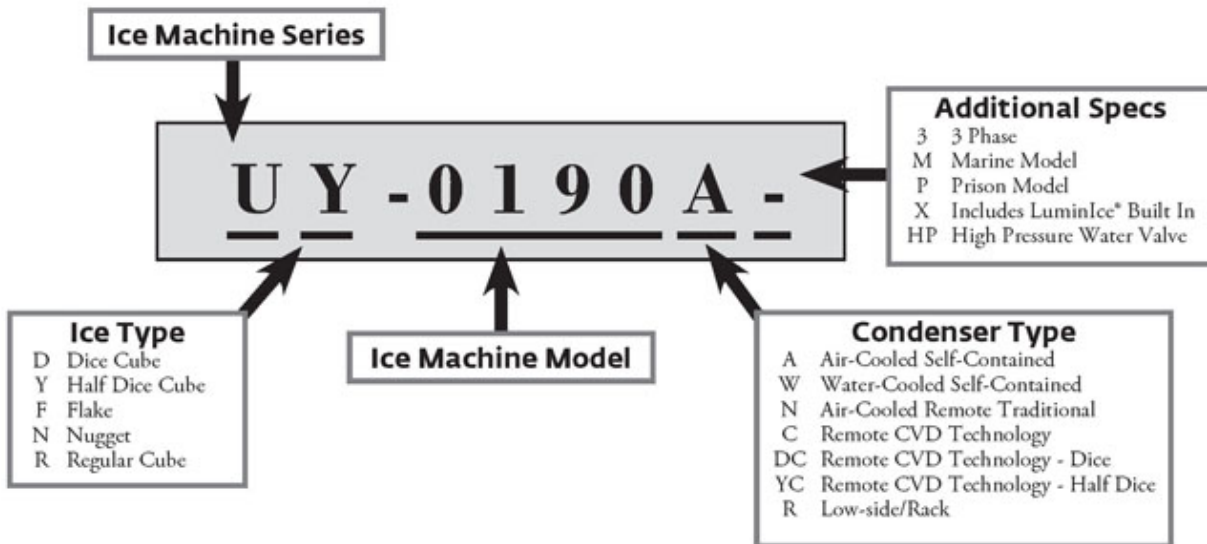


# **Manitowoc** Foodservice

## HOW TO READ A MODEL NUMBER



# TABLE OF CONTENTS

Manitowoc Foodservice [Updated: Apr. 23, 2015]

Manitowoc - Ice & Related

Parts Catalog

Ice Machine

NEO UnderCounter Series

U0190

U0190 - Control Box Components ..... 1

U0190 - Evaporator Compartment - Common Components ..... 3

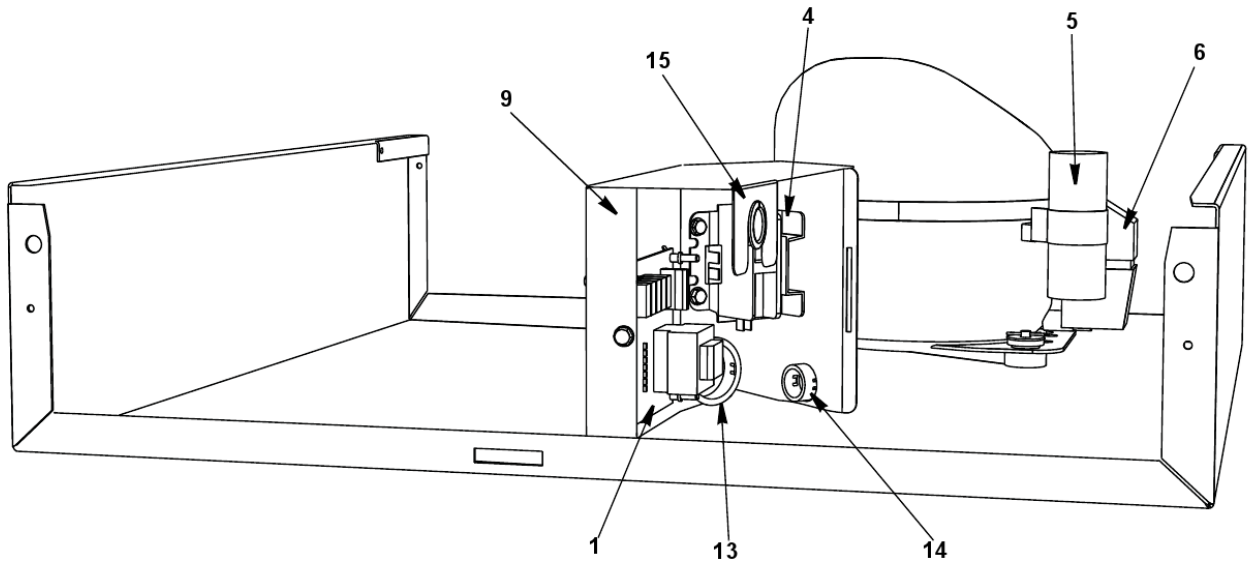
U0190 - Refrigeration Compartment - Common Components ..... 5

U0190 - Refrigeration Compartment - Air-cooled Components ..... 8

U0190 - Panels ..... 10

# U0190

## U0190 - CONTROL BOX COMPONENTS



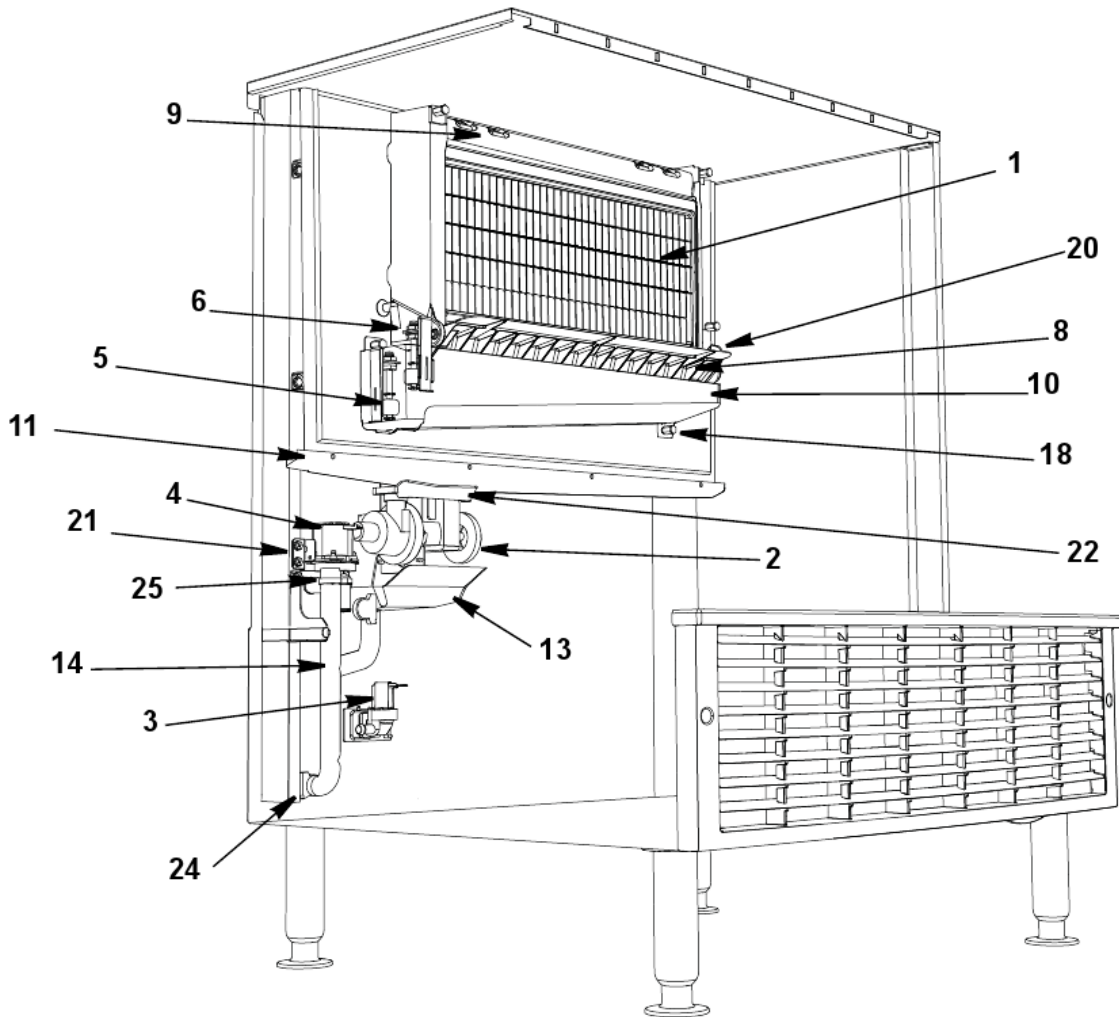
# U0190

## U0190 - CONTROL BOX COMPONENTS

| #   | PART #    | DESCRIPTION                                   | QTY | Note |
|-----|-----------|---|-----|------|
| 1   | 040002007 | Control Board                                 |     |      |
| 2   | 000012211 | 3.5 amp Ceramic Fuse                          |     |      |
| 3   |           | Wiring Harnesses - Control Board              |     |      |
| 3a  | 040002052 | Wiring Harness - Control Board to Sensors     |     |      |
| 3b  | 040002053 | Wiring Harness - Control Board to Touch Pad   |     |      |
| 4   |           | Contactors                                    |     |      |
| 4a  | 2006569   | Contactors - 115V/60 Hz/1 Ph                  |     |      |
| 4b  | 2006579   | Contactors - 230V/50-60 Hz/1 Ph               |     |      |
| 5   |           | Start Capacitor                               |     |      |
| 5a  | 000002901 | Start Capacitor - 115V/60 Hz/1 Ph             |     |      |
| 5b  | 040000674 | Start Capacitor                               |     |      |
| 6   |           | Current Relay                                 |     |      |
| 6a  | 000002899 | Current Relay with Overload - 115V/60 Hz/1 Ph |     |      |
| 6b  | 000002900 | Relay   |     |      |
| 6c  | 8251333   | Relay Cover                                   |     |      |
| 7   |           | Wiring Harness                                |     |      |
| 7a  | 040004016 | Wiring Harness - Air-cooled                   |     |      |
| 8   |           | Power Cord                                    |     |      |
| 8a  | 2006863   | Power Cord - 115V/60 Hz                       |     |      |
| 8b  | 2006749   | Power Cord - 230V/50-60 Hz                    |     |      |
| 8d  | 2512043   | Terminal Block                                |     |      |
| 9   | 040002028 | Control Box                                   |     |      |
| 10  | 040002029 | Control Box Cover                             |     |      |
| 11  | 4302253   | Control Board Mounting Supports               |     |      |
| 12  | 5202329   | Screw - #10-24 x 0.25" PHIL                   |     |      |
| 12a | 5573209   | Star Washer                                   |     |      |
| 13  | 2500139   | Bushing - 1.5"                                |     |      |
| 14  | 2501409   | Bushing - 0.875"                              |     |      |
| 15  | 040002479 | Bushing - OSB-22                              |     |      |

# U0190

## U0190 - EVAPORATOR COMPARTMENT - COMMON COMPONENTS



# U0190

## U0190 - EVAPORATOR COMPARTMENT - COMMON COMPONENTS

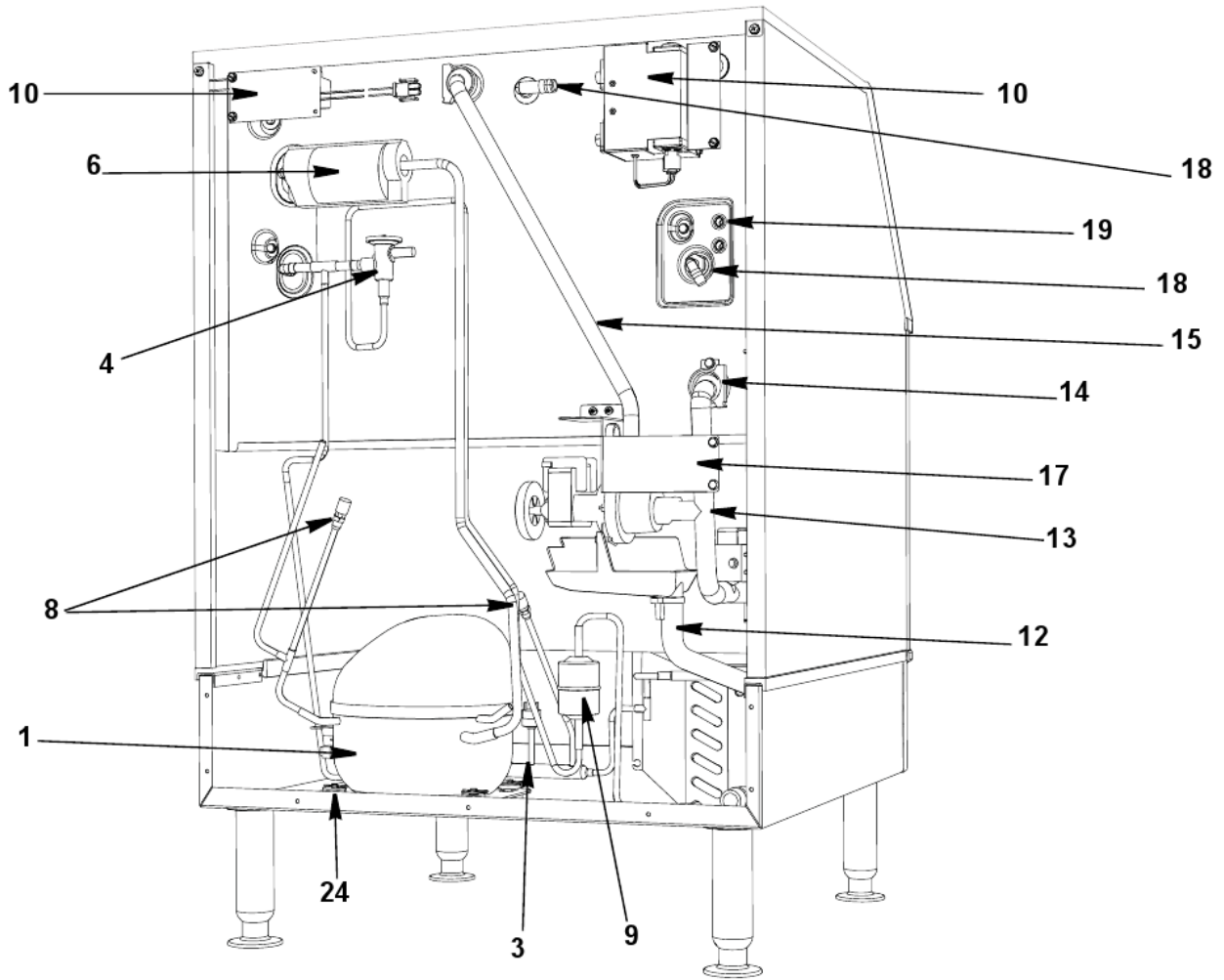
| #   | PART #    | DESCRIPTION                            | QTY | Note |
|-----|-----------|--|-----|------|
| 1   |           | Evaporator Assembly                    |     |      |
| 1a  | 000011554 | Evaporator - Regular Cube              |     |      |
| 1b  | 000011553 | Evaporator - Dice Cube                 |     |      |
| 1c  | 000011552 | Evaporator - Half Dice Cube            |     |      |
| 2   |           | Water Pump                             |     |      |
| 2a  | 040003291 | Water Pump - 115V/60 Hz                |     |      |
| 2b  | 040003293 | Water Pump - 208-230V/60 Hz            |     |      |
| 2c  | 040003292 | Water Pump - 230V/50 Hz                |     |      |
| 2d  | 040002833 | Water Pump Flow Restrictor             |     |      |
| 3   |           | Water Inlet Valve                      |     |      |
| 3a  | 040003579 | Water Inlet Valve - 115V/60 Hz         |     |      |
| 3b  | 040003580 | Water Inlet Valve - 230V/50-60 Hz/1 Ph |     |      |
| 3c  | 040003385 | Mylar Shield                           |     |      |
| 4   |           | Water Dump Valve                       |     |      |
| 4a  | 000001767 | Water Dump Valve - 115V/60 Hz          |     |      |
| 4b  | 000001768 | Water Dump Valve - 208-230V/50-60 Hz   |     |      |
| 5   | 040002396 | Harvest Float Switch                   |     |      |
| 5a  | 040001777 | Bracket - Float Switch                 |     |      |
| 6   | 040001783 | Ice Thickness Float Switch             |     |      |
| 6a  | 040001777 | Bracket - Float Switch                 |     |      |
| 7   | 040002393 | Magnetic Bin Switch                    |     |      |
| 8   | 000011555 | Ice Damper                             |     |      |
| 9   | 000009075 | Water Distribution Cover               |     |      |
| 10  | 040001772 | Water Trough                           |     |      |
| 10a | 040002014 | Fitting - Water Trough                 |     |      |
| 10b | 040002034 | O-ring                                 |     |      |
| 11  | 040002880 | Rear Trough                            |     |      |
| 13  | 040002475 | Drain Sink                             |     |      |
| 14  | 040002013 | Drain Tube                             |     | [1]  |
| 15  | 040002012 | Trough Tube                            |     | [2]  |
| 16  | 040002011 | Water Tube (water pump to evaporator)  |     | [3]  |
| 17  | 040002452 | Water Inlet Valve Tubing               |     |      |
| 18  | 040001217 | Thumbscrew - #8-32 x 0.625"            |     |      |
| 19  | 5202069   | Screw - #10-24 x 0.50" HEX             |     |      |
| 20  | 000009053 | Evaporator Side Damper Mount           |     |      |
| 21  | 040001995 | Bracket - Water Dump Valve             |     |      |
| 22  | 040002931 | Bracket - Water Pump                   |     |      |
| 23  | 8706133   | Female Wing Adapter - 0.50"            |     |      |
| 24  | 5650649   | Spray Bar Clamp                        |     |      |
| 25  | 5650709   | Snap Clamp - 0.799"/0.899" ID          |     |      |

### PART NOTES:

- [1] - connects drain sink, dump valve and bin
- [2] - connects water trough to water pump & dump valve
- [3] - water pump to evaporator

# U0190

## U0190 - REFRIGERATION COMPARTMENT - COMMON COMPONENTS



# U0190

## U0190 - REFRIGERATION COMPARTMENT - COMMON COMPONENTS

| #   | PART #    | DESCRIPTION                                   | QTY | Note |
|-----|-----------|---|-----|------|
| 1   |           | Compressor                                    |     |      |
| 1a  | 040002765 | Compressor - Danfoss - 115V/60 Hz/1 Ph        |     |      |
| 1b  | 000002899 | Current Relay with Overload - 115V/60 Hz/1 Ph |     |      |
| 1c  | 000002901 | Start Capacitor - 115V/60 Hz/1 Ph             |     |      |
| 1d  | 040000434 | Compressor - 208-230V/50-60 Hz                |     |      |
| 1e  | 000002900 | Relay   |     |      |
| 1f  | 040000674 | Start Capacitor                               |     |      |
| 2   |           | Harvest Valve                                 |     |      |
| 2a  | 040000689 | Hot Gas Valve 115/60/1 Ph                     |     |      |
| 2b  | 040000101 | Hot Gas Valve Coil Only 115/60/1 Ph           |     |      |
| 2c  | 040000690 | Hot Gas Valve 230V/50-60 Hz/1 Ph              |     |      |
| 2d  | 040000103 | Hot Gas Valve Coil Only 230V/50-60 Hz/1 Ph    |     |      |
| 3   | 2001243   | HPCO  |     |      |
| 4   | 000011557 | Expansion Valve                               |     |      |
| 4a  | 3000833   | Strap - Expansion Valve Bulb - 0.375"         |     |      |
| 5   | 4000363   | Valve Insulation Boot - Body                  |     | [1]  |
| 6   | 4007203   | Valve Insulation Boot - Bulb                  |     | [2]  |
| 7   | 8251063   | Manifold Strainer                             |     |      |
| 8   | 8373253   | Access Valve                                  |     |      |
| 9   | 8930259   | Drier   |     |      |
| 10  | K00440    | Luminice - NEO                                |     |      |
| 11  | 040002442 | Bracket - Valve                               |     |      |
| 12  | 040002013 | Drain Tube                                    |     | [3]  |
| 13  | 040002012 | Trough Tube                                   |     | [4]  |
| 14  | 040002014 | Fitting - Water Trough                        |     |      |
| 14a | 040002034 | O-ring  |     |      |
| 15  | 040002011 | Water Tube (water pump to evaporator)         |     |      |
| 16  | 040002452 | Water Inlet Valve Tubing                      |     |      |
| 17  | 040002931 | Bracket - Water Pump                          |     |      |
| 18  |           | Water Adapters                                |     |      |
| 18a | 040002019 | Water Adapter - Male                          |     |      |
| 18b | 040002021 | Water Adapter - Female                        |     |      |
| 19  | 040002382 | Wire Bushing                                  |     |      |
| 20  |           | Snap Clamps                                   |     |      |
| 21  | 5650539   | Snap Clamp - 1.123 x 1.296                    |     |      |
| 22  | 5650529   | Clamp - Expansion Valve Bulb                  |     |      |
| 23  | 5202069   | Screw - #10-24 x 0.50" HEX                    |     |      |
| 24  |           | Compressor Mounting                           |     |      |
| 24a | 8503069   | Mounting - Rubber Grommet                     |     |      |
| 24b | 5573099   | Mounting - Flatwasher                         |     |      |
| 24c | 3712109   | Compressor Clevis Pin - 0.25" x 1.0"          |     |      |
| 24d | 5648289   | Compressor Hairpin Clip                       |     |      |
| 24e | 5648269   | Compressor Mounting Retainer                  |     |      |
| 24f | 8503949   | Mounting - Sleeve                             |     |      |



# U0190

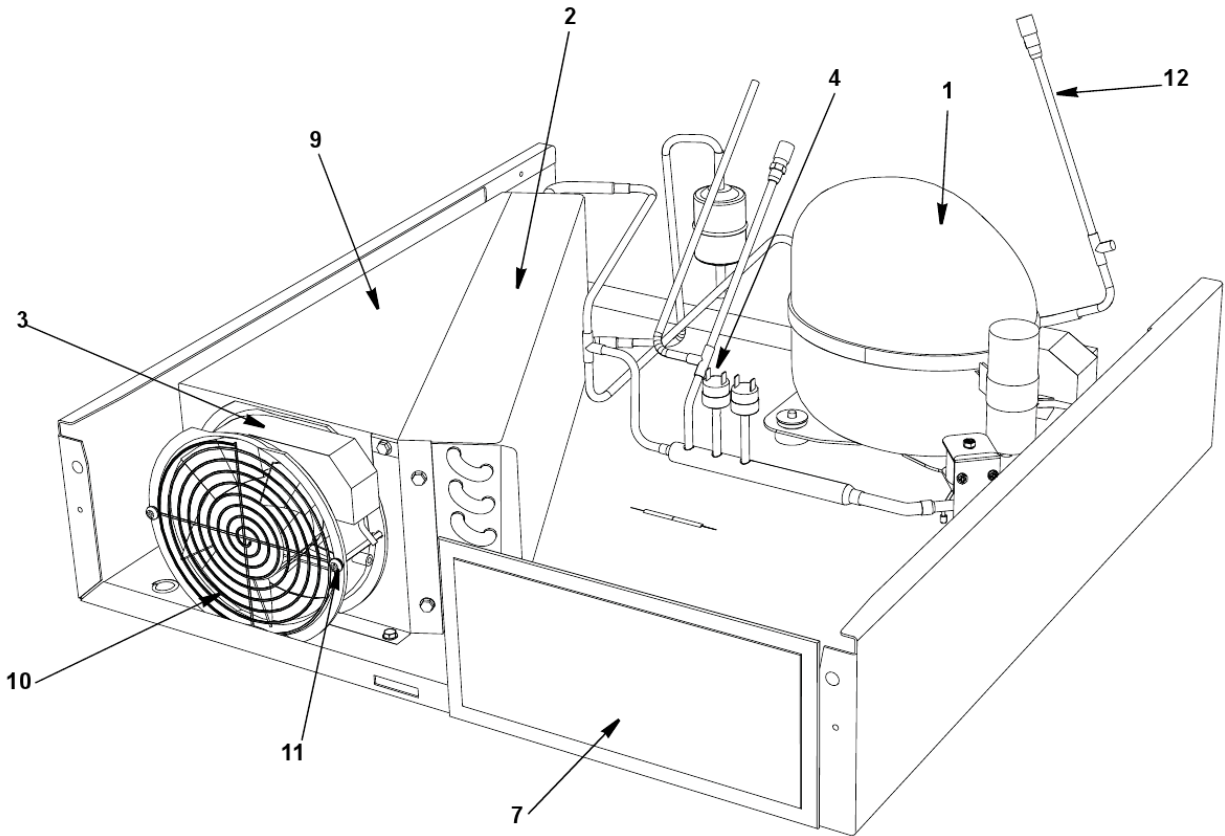
## U0190 - REFRIGERATION COMPARTMENT - COMMON COMPONENTS

### PART NOTES:

- [1] - \400036\_05.jpg" width=2436 height=1463>
- [2] - \pages from 400720\_08.jpg" width=923 height=583>
- [3] - connects drain sink, dump valve and bin
- [4] - connects water trough to water pump & dump valve

# U0190

## U0190 - REFRIGERATION COMPARTMENT - AIR-COOLED COMPONENTS



# U0190

## U0190 - REFRIGERATION COMPARTMENT - AIR-COOLED COMPONENTS

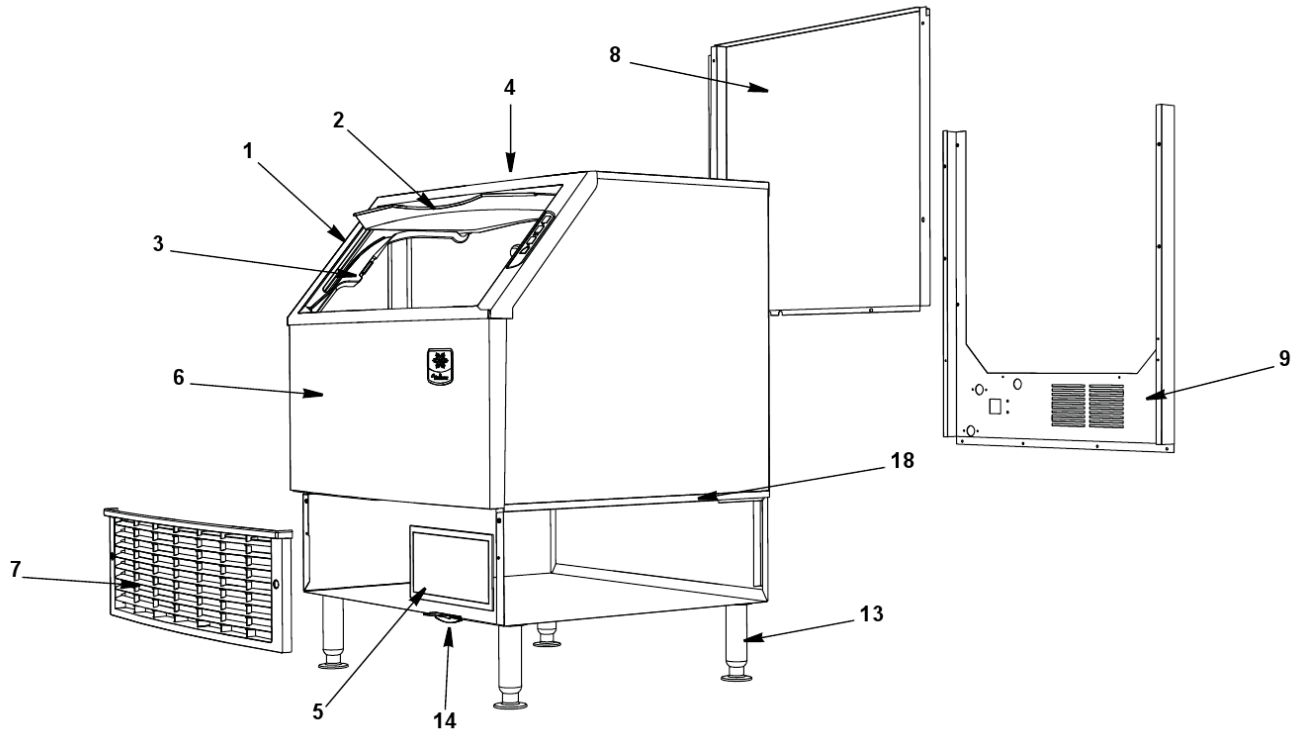
| #  | PART #    | DESCRIPTION                        | QTY | Note |
|----|-----------|------------------------------------|-----|------|
| 1  |           | Compressor                         |     | [1]  |
| 2  | 040001986 | Air Condenser                      |     |      |
| 3  |           | Fan Motor with Blade               |     |      |
| 3a | 040001943 | Fan Motor - 115V                   |     |      |
| 3b | 040001944 | Fan Motor - 230V                   |     |      |
| 4  | 2001263   | Fan Cycling Control - 200-250 psig |     | [2]  |
| 5  | 2001243   | HPCO                               |     |      |
| 6  | 8930259   | Drier                              |     |      |
| 7  | 040002435 | Air Filter                         |     |      |
| 8  | 040003184 | Air Deflector                      |     |      |
| 9  | 040002031 | Fan Shroud                         |     |      |
| 10 | 040002384 | Fan Guard                          |     |      |
| 11 | 040002451 | Mounting - Bolts                   |     |      |
| 12 | 8373253   | Access Valve                       |     |      |
| 13 | 040002910 | Bracket - Air Filter               |     |      |

### PART NOTES:

- [1] - Refer to COMMON PARTS Page
- [2] - \pages from 200126\_09.jpg" width=150 height=306>

# U0190

## U0190 - PANELS



# U0190

## U0190 - PANELS

| #   | PART #    | DESCRIPTION                       | QTY | Note |
|-----|-----------|-----------------------------------|-----|------|
| 1   | 040003501 | Door Frame with Touch Pad         |     |      |
| 2   | 040004168 | Door                              |     |      |
| 3   | 040004329 | Door Track Door Track Assembly    |     |      |
| 4   | 040002926 | Top Cover                         |     |      |
| 5   | 040002435 | Air Filter                        |     |      |
| 6   | 040004104 | Cabinet Assembly                  |     |      |
| 7   | 040004274 | Front Lower Covered Panel (grill) |     | [1]  |
| 8   | 040001994 | Back Panel - Upper                |     |      |
| 9   | 040002461 | Back Panel - Lower - Air-cooled   |     |      |
| 10  | 5202069   | Screw - #10-24 x 0.50" HEX        |     |      |
| 11  | 040002930 | Ice Scoop - UnderCounter          |     |      |
| 12  | 040002033 | Ice Scoop Holder- UnderCounter    |     |      |
| 13  |           | Legs - Refer to Sales Price List  |     |      |
| 14  | 040002910 | Bracket - Air Filter              |     |      |
| 15  | 040002462 | Bracket - Top Panel               |     |      |
| 16  |           | Side Panel Brackets               |     |      |
| 16a | 040003312 | Bracket - Side Panel - Right      |     |      |
| 16b | 040003314 | Bracket - Side Panel - Left       |     |      |
| 17  |           | Door Track Brackets               |     |      |
| 17a | 040002046 | Bracket - Door Track - Right      |     |      |
| 17b | 040002047 | Bracket - Door Track - Left       |     |      |
| 17c | 5202099   | Screw - #10-24 x 0.50" PHIL       |     |      |
| 18  |           | Cabinet Track Brackets            |     |      |
| 18a | 040001773 | Bracket - Cabinet Track - Right   |     |      |
| 18b | 040001774 | Bracket - Cabinet Track - Left    |     |      |
| 19  | 040002020 | Bulkhead Gasket                   |     | [2]  |
| 20  | 040003585 | Cartoning                         |     |      |

### PART NOTES:

- [1] - Includes air filter & catch
- [2] - seals bulkhead to bin