



Manitowoc
Foodservice
Parts Manual

For more Parts Information:

<https://manitowocfsg.sysonline.com/Default.aspx>

TABLE OF CONTENTS

Manitowoc Foodservice [Updated: Sep. 30, 2013]

Manitowoc - Ice & Related

Parts Catalog

Ice Machine

RNS Series

RNS Model - UnderCounter

RNS0385

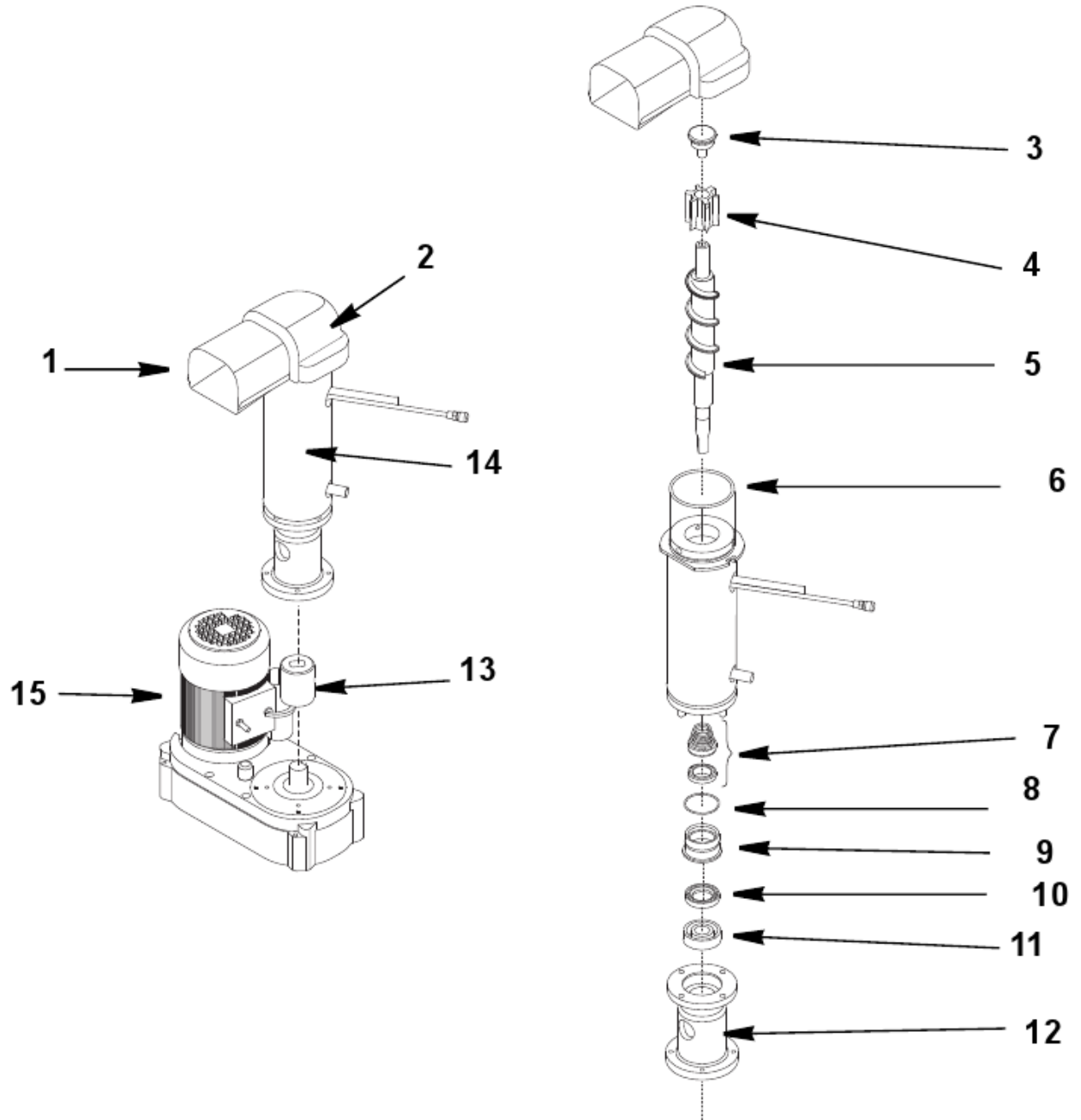
RNS0385 Evaporator Assembly1

RNS0385 Evaporator Compartment3

RNS0385 Panels6

RNS0385

RNS0385 EVAPORATOR ASSEMBLY



RNS0385

RNS0385 EVAPORATOR ASSEMBLY

#	PART #	DESCRIPTION	QTY	Note
1 & 2	000012041	Ice Exhaust & Insulating Cap		[1]
1	000008952	Ice Exhaust		[2]
2	000008881	Insulating Cap		[2]
3	000008889	Ice Breaker		
4	000009156	Extruder with Bearings Assembly		
5	000009157	Auger		
6	000008900	O-ring Gasket		
7	000006426	Water Seal		
8	000005583	O-ring Gasket		
9	000005782	Water Seal Retainer		
10	000008938	Seal Ring		
11	000008898	Bearing		
12	000008897	Foundation		
13	000008967	Joint		
14	000009159	Evaporator Assembly		
15		Gearmotor Assembly		
15a	000011126	Gearmotor Assembly - 115V/60 Hz/1 Ph		
15b	000011800	Gearmotor Assembly - 208-230V/50-60 Hz/1 Ph		
16		Gearmotor Capacitor		
16a	000007825	Gearmotor Capacitor - 115V/60 Hz/1 Ph		
16b		Gearmotor Capacitor - 220/60/1 or 230/50/1		

PART NOTES:

- [1] - After Serial Number M05891402012
- [2] - Before Serial Number M05891402012

RNS0385

RNS0385 EVAPORATOR COMPARTMENT

#	PART #	DESCRIPTION	QTY	Note
1		Compressor		
1a	000005626	Compressor - 115V/60 Hz/1 Ph		
1b	000005628	Compressor - 220V/60 Hz/1 Ph		
1c	000005614	Compressor - Tecumseh - 230V/50 Hz/1 Ph		
2		Compressor Delay Relay		
2a	000005746	Compressor Delay Relay - 115V/60 Hz/1 Ph		
2b	000005745	Compressor Delay Relay - 230V/50-60 Hz/1 Ph		
3		Compressor Start Relay		
3a	000008384	Start Relay - 115V/60 Hz/1 Ph		
3b	000008383	Start Relay - 230V/50 Hz/1 Ph		
4		Start Capacitor		
4a	000008426	Start Capacitor - 115V/60 Hz/1 Ph		
5		Condenser Fan Motor		
5a	000005578	Fan Motor - 115V/60 Hz/1 Ph		
5b	000005574	Fan Motor - 208-230V/50-60 Hz/1 Ph		
6	000005629	Air Condenser		
7	000012450	Water Reservoir Assembly		[1]
8	000005768	Evaporator Safety Thermostat		
9	000005766	Bin Thermostat		
10		Fan Cycle Control		
10a	000006060	Fan Cycle Control - 115-230V/50-60 Hz/1 Ph		
10b	000006191	Fan Cycle Control - 208-230V/50-60 Hz/1 Ph		
11	000006069	ON/OFF Rocker Switch		
12	000005760	Float Microswitch (each)		
13		Water Inlet Valve		
13a	000006063	Water Inlet Valve - 115V/60 Hz/1 Ph		
13b	000005770	Water Inlet Valve - 220-230V/50-60 Hz/1 Ph		
14	000005674	Drier		
15	000009160	Evaporator Drain Tap		[2]
16	000008936	Condenser Fan Blade		
17		Access Valve		
17a	000006409	Core - Access Valve		
17b	000006408	Fitting - Access Valve		
17c	000006410	Cap - Access Valve		
18		Screws		
18a	000009040	Screw - M5 x 10TC		[3]
18b	000009041	Screw - 3.9 x 13TC		[3]
19		Backflow Preventer		
19a	000009971	Backflow Preventer 60 Hz - 3/8"		
19b	000009972	Backflow Preventer 50 Hz - 3/4"		

PART NOTES:

[1] - Includes Reservoir, Hoses, Clamps, Drain Tap & Two Microswitches

RNS0385

RNS0385 EVAPORATOR COMPARTMENT

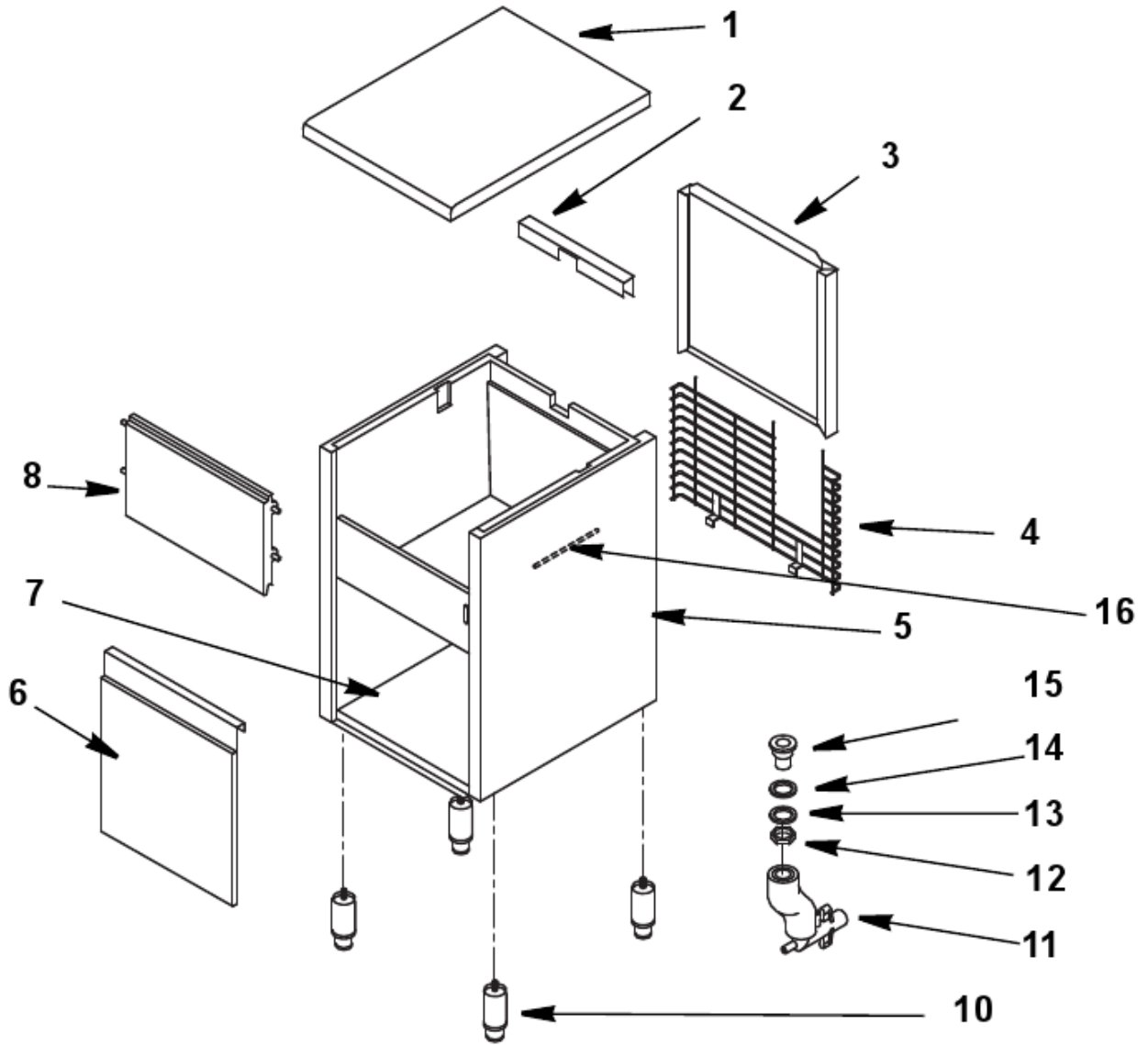
#	PART #	DESCRIPTION	QTY	Note
---	--------	-------------	-----	------

PART NOTES:

- [2] - when used
- [3] - No Longer Available

RNS0385

RNS0385 PANELS



RNS0385

RNS0385 PANELS

#	PART #	DESCRIPTION	QTY	Note
1	000005742	Top Panel		
2		Ice Spout Cover Bracket - See Note for Serial Break		
2a	000009162	Ice Spout Cover Bracket		[1]
2b	000012043	Ice Spout Cover Bracket		[2]
3	000005744	Back Panel Assembly		
4	000007804	Back Grill		
5		Foamed Cabinet Assembly		
5a	000009161	Foamed Cabinet - Air-cooled		
6	000007807	Front Grill Panel		
7	000005602	Base Plate		
8	000005660	Door Assembly		
9	000005783	Plastic Legs		
10	000005663	Adjustable Stainless Steel Legs		
11		Drain Manifold		
11a	000006162	Drain Manifold - 115V/60 Hz/1 Ph		
11b	000005671	Drain Manifold - 208-230V/50-60 Hz/1 Ph		
12	000005581	Bin Drain Nut		
13	000005695	Bin Drain Gasket Bottom		
14	000005696	Bin Drain Gasket Top		
15	000005692	Bin Drain Fitting		
16	000005729	Bin Bulb Holder		
17	000008686	Cartoning		

PART NOTES:

- [1] - Before Serial Number M05891402012
- [2] - After Serial Number M05891412012