



HOW TO READ A MODEL NUMBER

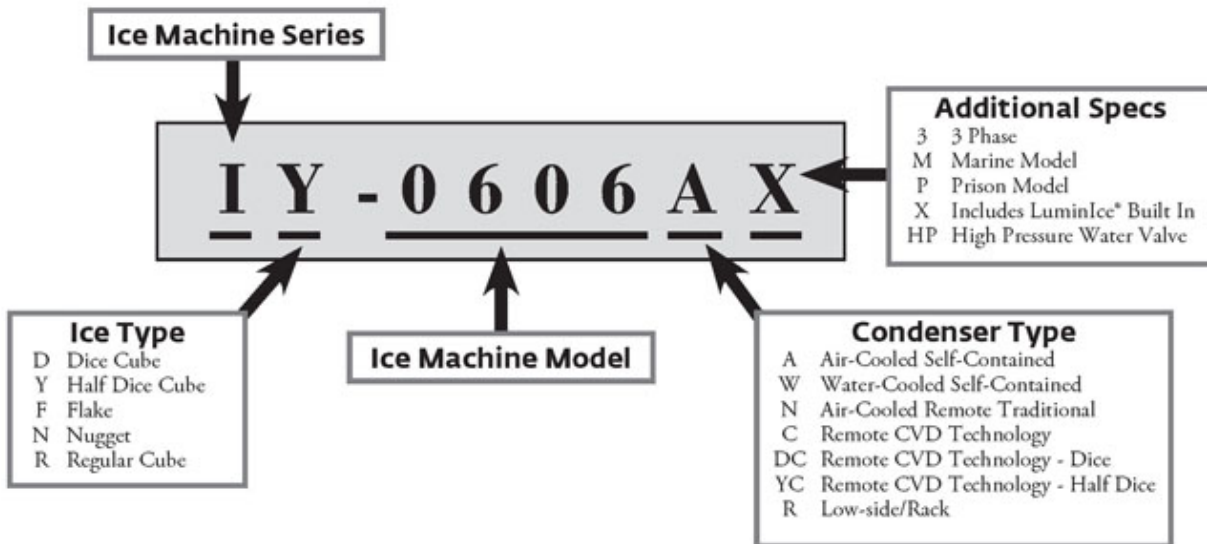


TABLE OF CONTENTS

Manitowoc Foodservice [Updated: Apr. 23, 2015]

Manitowoc - Ice & Related

Parts Catalog

Ice Machine

Indigo Series

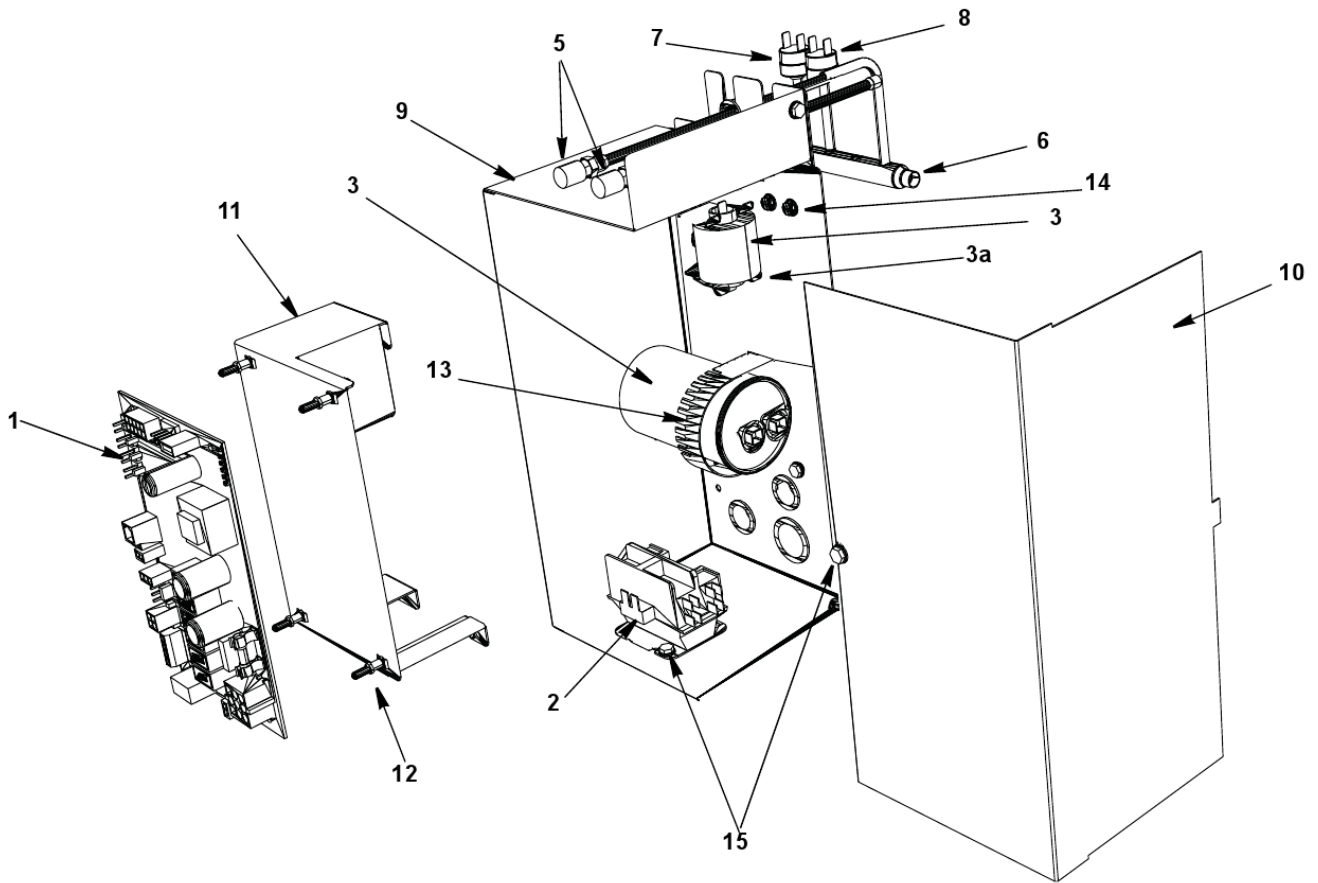
Indigo Model - Air, Water & Remote

i0606, JC0895 Indigo

i0606 Control Box	1
i0606 Evaporator Compartment - Common Components	3
i0606 Refrigeration Compartment - Common Parts	6
i0606 Refrigeration Compartment – Air-cooled	9
i0606 Refrigeration Compartment – Water-cooled	11
i0606 Refrigeration Compartment - Remote	13
i0606 Panels	15
JC0895 Remote Condenser	18

i0606, JC0895 Indigo

I0606 CONTROL BOX



i0606, JC0895 Indigo

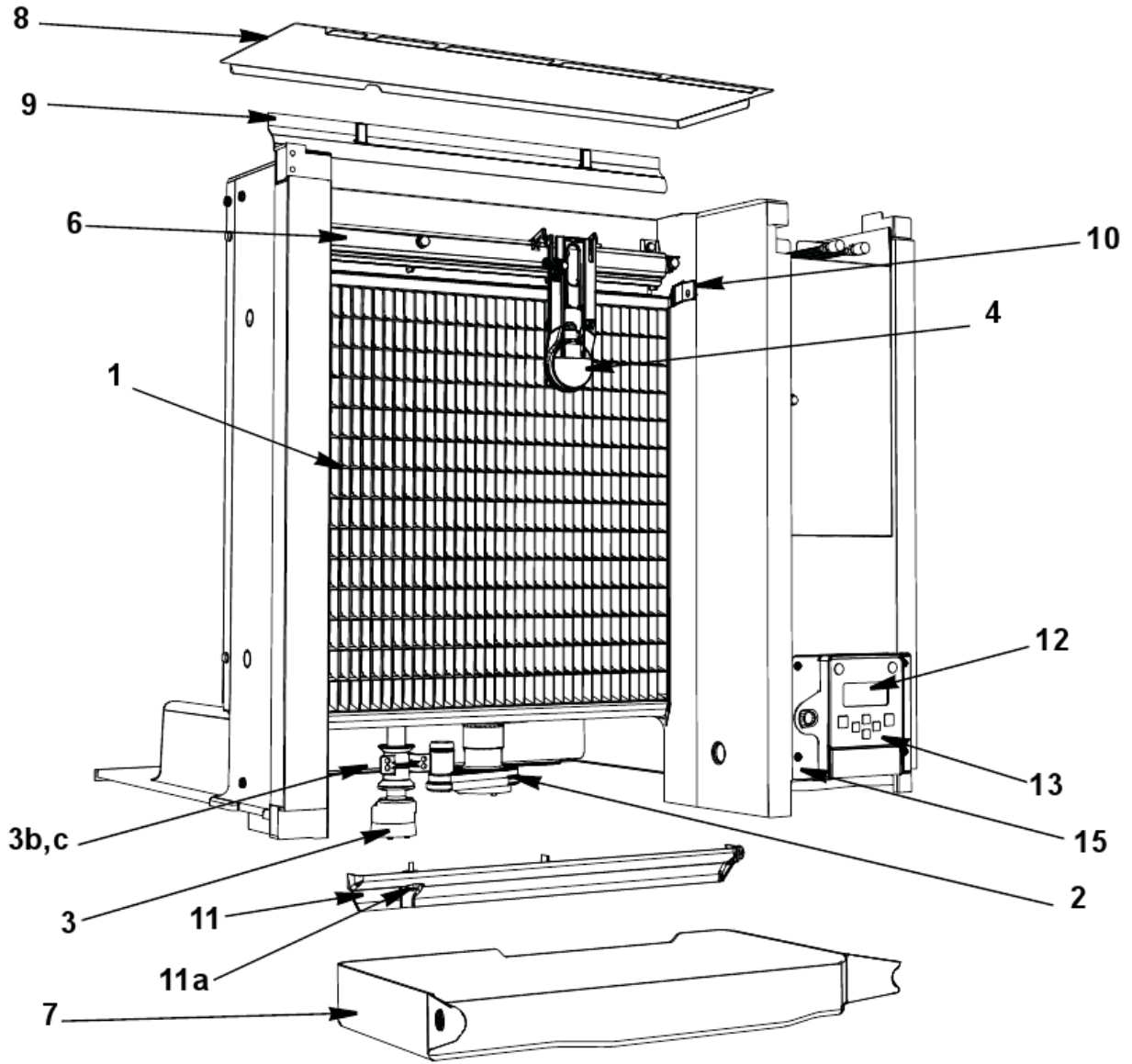
I0606 CONTROL BOX

#	PART #	DESCRIPTION	QTY	Note
1	000008309	Control Board		
1a	000009181	8 amp Ceramic Fuse - Mounted on Control Board		
2		Contactors		
2a	2006599	Contactors - 230V/50-60 Hz/1 Ph		
3	8504993	PTCR Compressor Starter		
3a	8505013	PTCR Compressor Starter Mounting Bracket		
4		Compressor Run Capacitor		
4a	2010133	Run Capacitor - 50 Hz		
5	8373263	Refrigeration Service Valve Assembly		
6	8251049	Manifold Strainer		
6a	6058571	Bracket		
7	2001243	HPCO		
8	2001263	Fan Cycling Control - 200-250 psig		[1]
9	000008279	Control Box		
10	000010421	Control Box Cover		
11	000007564	Control Board Mounting Bracket		
12	4302253	Control Board Mounting Supports		
13	6024953	Capacitor Mounting Strap		
14	5202169	Screw - #10-24 x 0.50" Ground		
14a	5573209	Star Washer		
15	5202069	Screw - #10-24 x 0.50" HEX		
16	5573209	Star Washer		
17		Control Box Bushings		
17a	2500019	Bushing - 1.187"		
17b	2501409	Bushing - 0.875"		
18		Control Box Wiring Harness		
18a	000007179	Control Box Wiring Harness - 230V/60 Hz/1 Ph		
18b	000007180	Control Box Wiring Harness - 230V/50 Hz/1 Ph		
18c	2007439	Harvest Air Assist Pump Wiring Harness		
19		Compressor Compartment Wiring Harness		
19a	000007178	Compressor Compartment Wiring Harness - Air-cooled		
19b	000007176	Compressor Compartment Wiring Harness - Water-cooled		
19c	000007175	Compressor Compartment Wiring Harness - Remote Air-cooled		
20		Terminal Block		
20a	2006143	Terminal Block - 50 Hz - 3 Pole		
20b	000007772	Terminal Block - 6 Pole		

PART NOTES:

[1] - \pages from 200126_09.jpg" width=150 height=306>

I0606 EVAPORATOR COMPARTMENT - COMMON COMPONENTS



i0606, JC0895 Indigo

I0606 EVAPORATOR COMPARTMENT - COMMON COMPONENTS

#	PART #	DESCRIPTION	QTY	Note
1		Evaporator Assembly		
1a	000006859	Evaporator - Dice Cube		
1b	000006858	Evaporator - Half Dice Cube		
2		Water Pump - See Note for Usage		
2a	2007399	Water Pump - 230V/60 Hz		[1]
2b	8252109	Water Pump - 230V/50 Hz		[2]
3	000007052	Water Level Probe		
3a	000007099	Wire - Control Box to Probe		
3b	000007053	Water Level Probe - Holder		
3c	5202099	Screw - #10-24 x 0.50" PHIL		[3]
4	000008660	Ice Thickness Control Probe		
5	4010979	Water Curtain		
6	7602193	Water Distribution Tube - 30" L		
6a	5004649	O-Rings		[4]
7		Water Trough - See Note for Serial Break		
7a	4003609	Water Trough		[5]
7b	000010337	Water Trough		[6]
8	000009055	Foodzone Seal Panel		
9	4008469	Evaporator Top Filler Panel		
9a	6063339	Bracket - Top Filler Panel		
9b	5202099	Screw - #10-24 x 0.50" PHIL		
10	7602203	Evaporator Top Frame Assembly		
11	7602213	Water Diverter - 30" Models		
11a	5305123	Thumbscrew SS - #8-32 x 0.44"		
12	000006728	LCD Display		
13	000007926	Touch Pad with Housing		
14	000007737	LCD Wiring Harness - 30" Long		
15	000006697	Touch Pad/Housing Mounting Bracket		
16		Front Panel LCD Frame		
16a	000006647	LCD Frame with Key Guard		
16b	000006564	LCD Frame without Key Guard		
16c	K00433	Display Cover		[7]
17	000006700	Ice Deflector		
18	5004799	Thumbscrew SS - #8-32 x 0.375"		[8]
18a	5004629	O-Ring - 0.125" ID		
19	5004619	Screw - #12-16 x 0.687"		
20	5004659	Water Pump Base O-Ring - 4.00" ID		
21	5004679	Water Pump Outlet O-Ring - 0.875" ID		

PART NOTES:

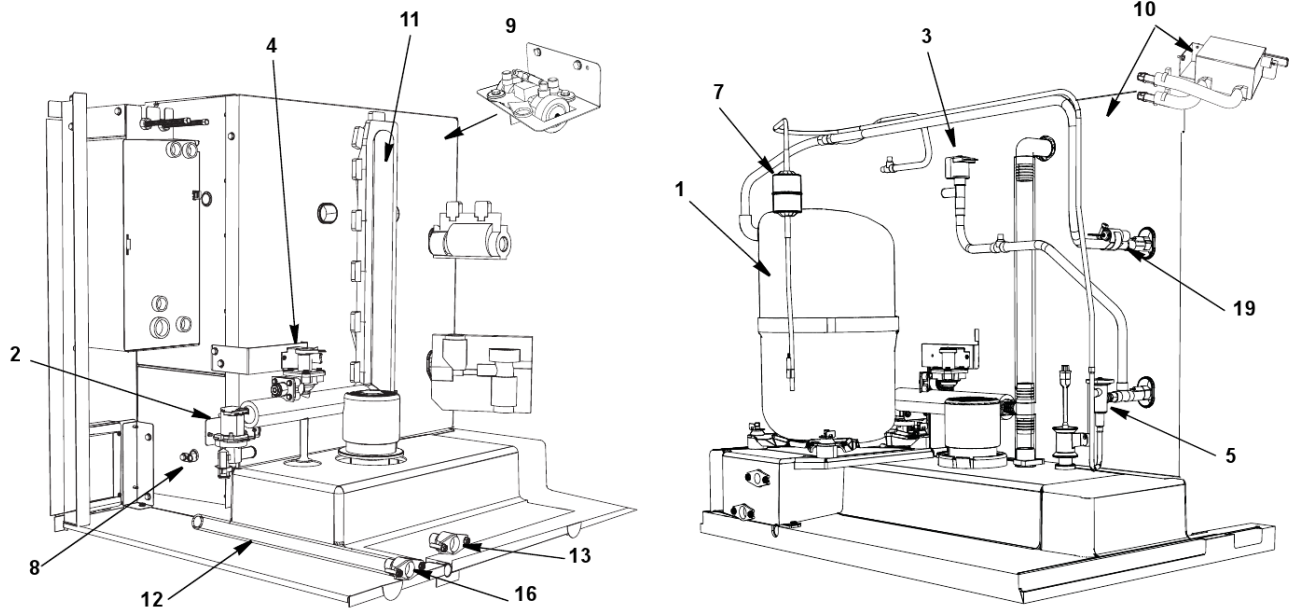
- [1] - 60 Hz
- [2] - 50 Hz
- [3] - (Mount Water Level Probe Holder)
- [4] - (Back of Distribution Assembly)

I0606 EVAPORATOR COMPARTMENT - COMMON COMPONENTS

PART NOTES:

- [5] - Before Serial Number 1101223883
 \water trough.jpg" width=313 height=169>
- [6] - After Serial Number 1101223883
 \water trough with tabs.jpg" width=355 height=194>
- [7] - hides the display completely
- [8] - (Water Distribution Tube Mounting) Each

I0606 REFRIGERATION COMPARTMENT - COMMON PARTS



i0606, JC0895 Indigo

I0606 REFRIGERATION COMPARTMENT - COMMON PARTS

#	PART #	DESCRIPTION	QTY	Note
1		Compressor		
1a	000009307	Bristol Compressor - 208-230V/60 Hz/1 Ph		
1b	000009959	Bristol Compressor - 230V/50 Hz/1 Ph		
1c	000005176	Compressor Molded Plug Wiring Harness		
2		Water Dump Valve with Bracket		
2a	000001768	Water Dump Valve - 208-230V/50-60 Hz		
2b	6058459	Water Dump Valve Mounting Bracket		
2c	4420383	Clear Tubing - 0.625" ID		
3		Harvest Valve		
3a	000007019	Solenoid Valve with Electrical Coil - 208-230V/50-60 Hz		
3b	000005157	Danfoss Solenoid Valve Coil Only - 230V/50-60 Hz		[1]
4		Water Inlet Valve with Bracket		
4a	000009122	Water Inlet Valve - 208-230V/50-60 Hz		
5		Expansion Valve - See Note for Usage		
5a	7601583	Expansion Valve		[2]
5b	7600193	Expansion Valve		[3]
5c	4000363	Valve Insulation Boot - Body		[4]
5d	4007203	Valve Insulation Boot - Bulb		[5]
6	000008310	Thermistor with Spring Clips		
7		Drier - See Note for Usage		
7a	8930259	Drier		[6]
7b	8930279	Drier		[7]
8	000007888	Magnetic Bin Switch		
8a	000007410	Bin Switch Wiring Harness		
9		Air Assist		
9a	000007223	Air Assist - 230V/50-60 Hz		
9b	4011739	Air Manifold		[8]
9c	000006489	Air Assist Bracket		
9d	3001453	Air Assist - Nozzle		
10	K00424	LuminIce		
10a	K00425	LuminIce Bulb		
10b	000007409	LuminIce Wiring Harness		
10c	000007990	Bulkhead Fitting 2.25"		
10d	000008269	Bulkhead Fitting 2.75"		
11	000003405	Insulated Tube		[9]
11a	5650609	Snap Clamp - 1.0" ID		
11b	5650709	Snap Clamp - 0.799"/0.899" ID		
12	000001382	Vinyl Tubing 0.625" ID		[10]
12a	6038831	Insulation 0.88 ID X 0.25W X 13.50L		
12b	5650709	Snap Clamp - 0.799"/0.899" ID		
13	8706093	Female Wing Adapter - 0.375"		
13a	1360961	Male Connector		
14	4010439	Tubing - Water Inlet Valve		[11]
15	1360989	Connector - Water Inlet Valve		
16	8706133	Female Wing Adapter - 0.50"		
17		Compressor Mounting		

I0606 REFRIGERATION COMPARTMENT - COMMON PARTS

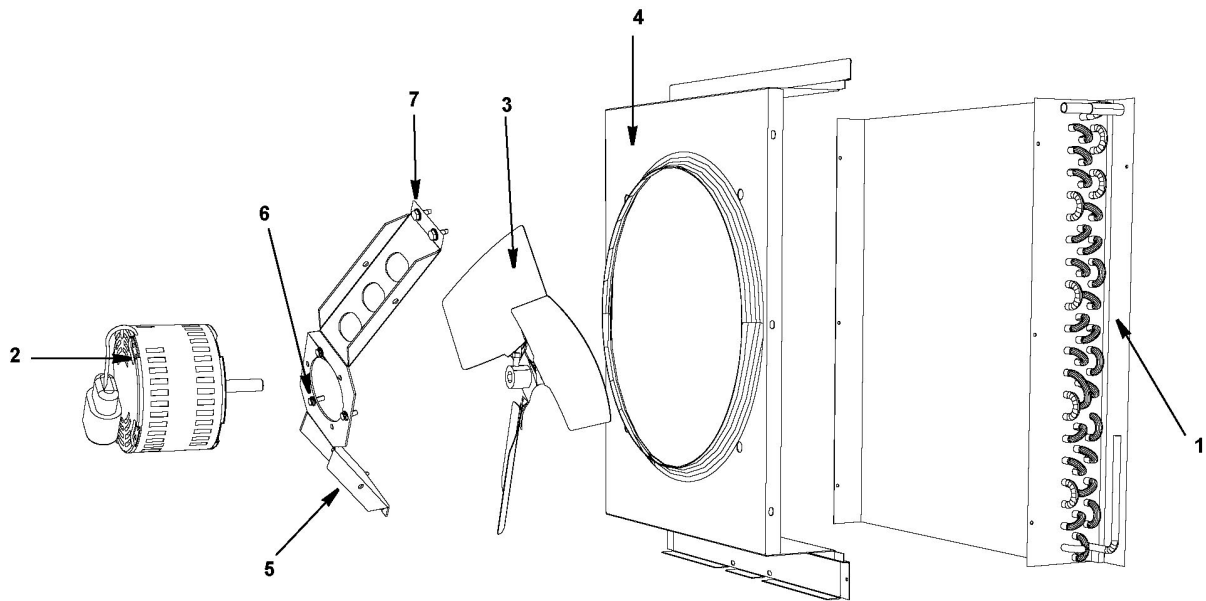
#	PART #	DESCRIPTION	QTY	Note
17a	6061709	Compressor Mounting Base		
17b	8503069	Mounting - Rubber Grommet		
17c	8503949	Mounting - Sleeve		
17d	5004819	Compressor Mounting - Bolt		
17e	5004829	Compressor Mounting - Nut		
18	5650529	Clamp - Expansion Valve Bulb		
19	3000503	Strap - Expansion Valve Bulb - 0.5"		
20	5202069	Screw - #10-24 x 0.50" HEX		

PART NOTES:

- [1] - \pages from 000005156_02.jpg" width=266 height=183>
- [2] - Air-cooled Models
- [3] - Water-cooled & Remote Models
- [4] - \400036_05.jpg" width=2436 height=1463>
- [5] - \pages from 400720_08.jpg" width=923 height=583>
- [6] - Air-cooled and Water-cooled Models
- [7] - Remote Models
- [8] - Air Pump Tubing Outlet
- [9] - vinyl tubing from distribution tube to water pump & dump valve
- [10] - dump valve to drain adapter
- [11] - \pages from 401043_05.jpg" width=1797 height=2238>

i0606, JC0895 Indigo

I0606 REFRIGERATION COMPARTMENT – AIR-COOLED

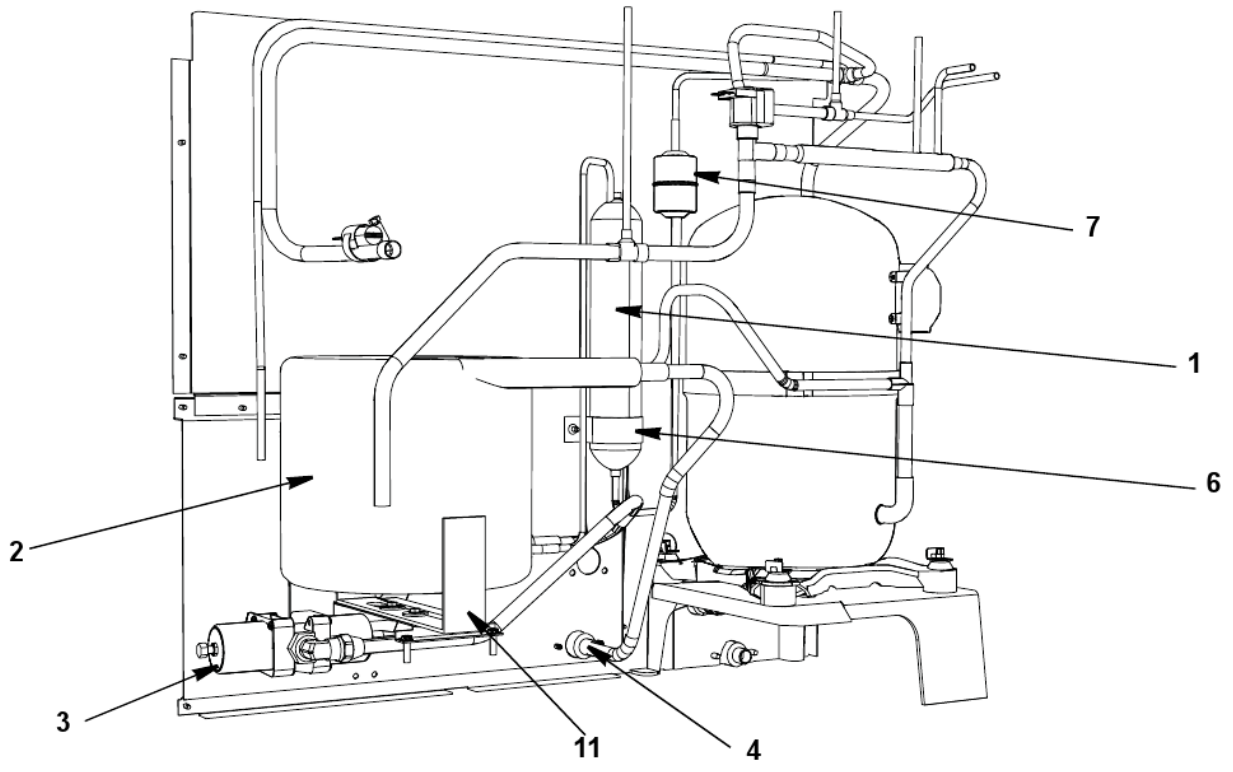


i0606, JC0895 Indigo

I0606 REFRIGERATION COMPARTMENT – AIR-COOLED

#	PART #	DESCRIPTION	QTY	Note
1	8252949	Air Condenser		
2		Fan Motor		
2a	2412939	Fan Motor 208-230V/50-60 Hz		
3	2416173	Fan Blade		
4	000002485	Fan Shroud		
5	6061869	Fan Motor Bracket		
6	5033589	Mounting - Screw		
6a	5545109	Lockwasher		
6b	5429529	Mounting - Hexnut		
7		Fan Bracket Mounting		
7a	5033589	Mounting - Screw		
7b	5545109	Lockwasher		
7c	5573059	Mounting - Flatwasher		
7d	5429559	Mounting - Rubber Wellnut		
8	5202069	Screw - #10-24 x 0.50" HEX		
9	8930259	Drier		

I0606 REFRIGERATION COMPARTMENT – WATER-COOLED

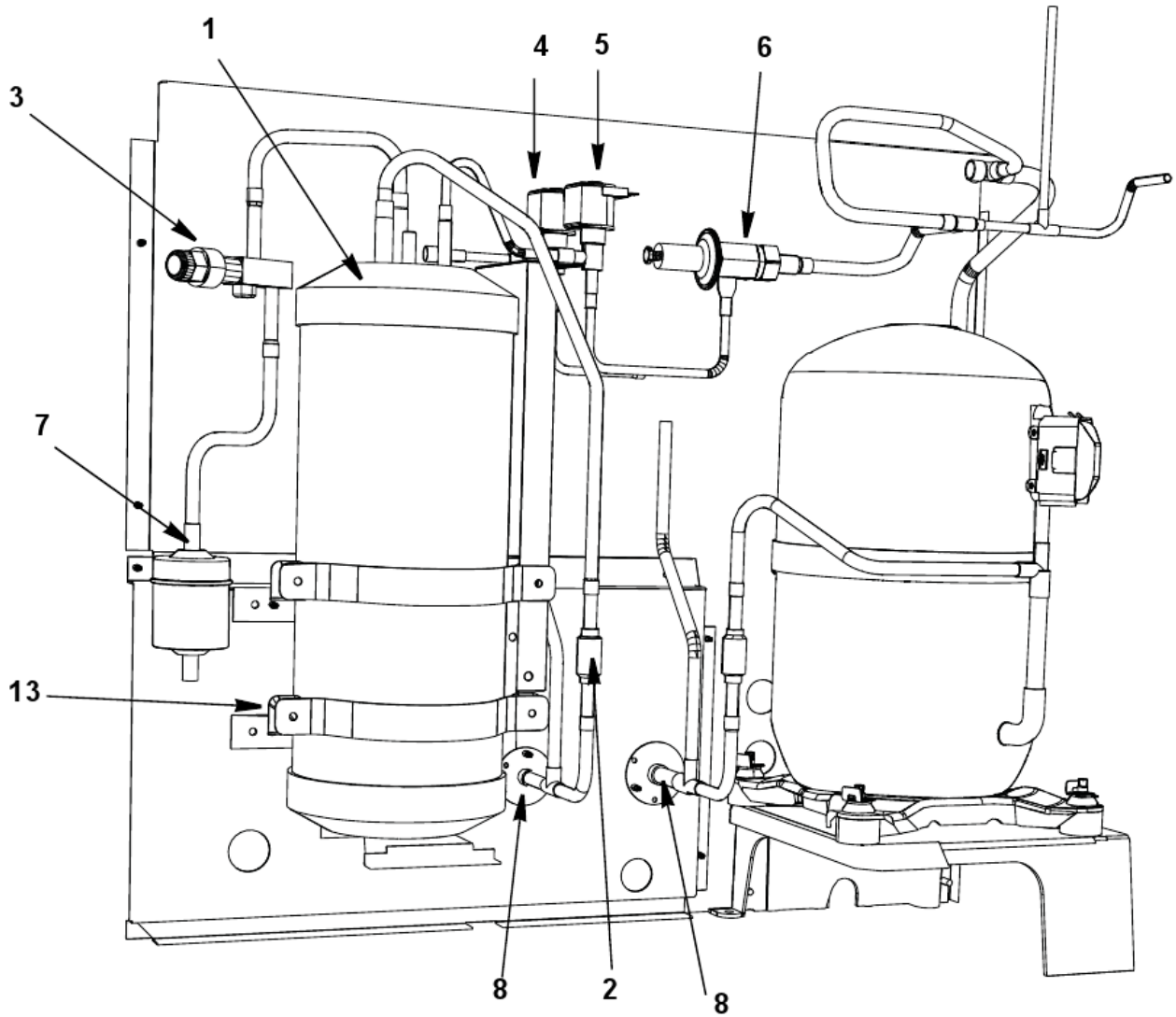


i0606, JC0895 Indigo

I0606 REFRIGERATION COMPARTMENT – WATER-COOLED

#	PART #	DESCRIPTION	QTY	Note
1	000008892	Receiver		
2	8253039	Water-cooled Condenser		
3	000007546	Water Regulating Valve		
4	8706083	Female Wing Adapter - 0.50"		
6	6000541	Receiver Strap		
7	5002249	Elbow - 0.5" MF x 0.375" MPT		
8	5202069	Screw - #10-24 x 0.50" HEX		
9	5573419	Washer		
10	000001220	Water Supply Hose		
11	6058659	Base, Water Condenser/Receiver		

I0606 REFRIGERATION COMPARTMENT - REMOTE



i0606, JC0895 Indigo

I0606 REFRIGERATION COMPARTMENT - REMOTE

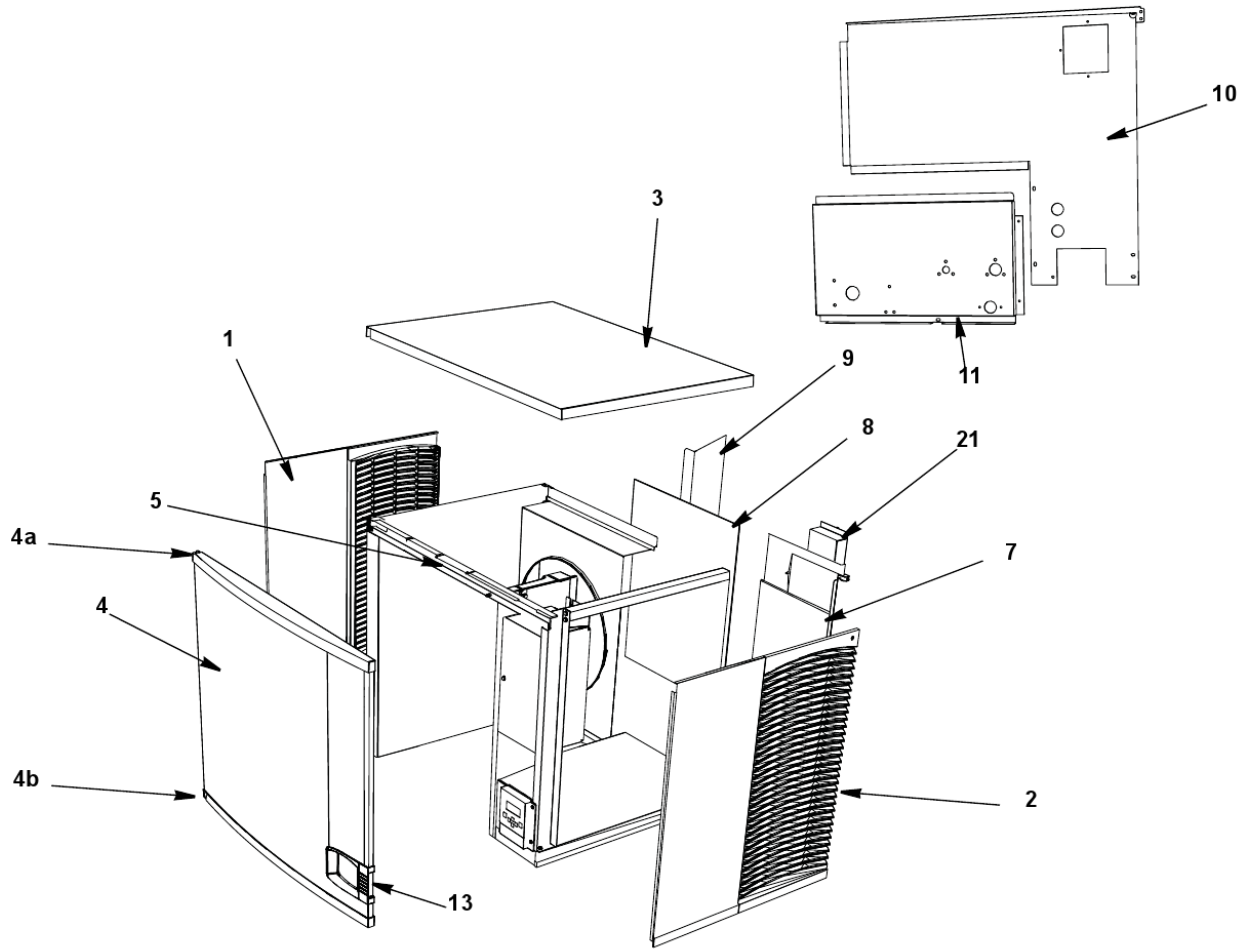
#	PART #	DESCRIPTION	QTY	Note
1	8250583	Receiver		
2	8373149	Magni-Check Valve - 0.375"		
3	8373169	Receiver Service Valve		
3a	5650753	Caps for Refrigeration Service Valve		
4		Harvest Pressure Regulating Solenoid (HPR) Valve		
4a	000007034	Solenoid Valve Including - 208-230V/50-60 Hz Electrical Coil		[1]
4b	000005157	Danfoss Solenoid Valve Coil Only - 230V/50-60 Hz		[2]
5		Liquid Line Solenoid (LLS) Valve		
5a	000007032	Solenoid Valve Including - 208-230V/50-60 Hz Electrical Coil		[1]
5b	000005157	Danfoss Solenoid Valve Coil Only - 230V/50-60 Hz		[2]
6	8367793	Harvest Pressure Regulating Valve		
7	8930279	Drier		
8	8360353	Coupling - Male - 1.17"-12		
9	000009958	Remote Models Kit		
10	8360053	Coupling Mounting Flange for 0.625"-18		
11	8360063	Coupling Mounting Flange for 1-1/16-12		
12	5650619	Screw Mounting Base		
13		Receiver Mounting		
13a	6063149	Receiver Mounting Strap		[3]
13b	6063039	Receiver Mounting Bracket		
13c	000006655	Support Bracket		
13d	000011794	Base		
13e	5202069	Screw - #10-24 x 0.50" HEX		

PART NOTES:

- [1] - (Danfoss)
- [2] - \pages from 000005156_02.jpg" width=266 height=183>
- [3] - (between receiver and panel)

i0606, JC0895 Indigo

I0606 PANELS



i0606, JC0895 Indigo

I0606 PANELS

#	PART #	DESCRIPTION	QTY	Note
1	000005217	Left Side Panel		
2	000005215	Right Side Panel		
3	000006699	Top Cover		
4	000006577	Front Panel Assembly		
4a	000006538	Top Endcap		
4b	000006539	Bottom Endcap		
5	000010051	Front Top Support		
5a	5005379	Mounting Screw - #8-32 x 1.0" PHIL		
5b	5005099	Screw - #10-16 x 0.625"		
6	6061709	Compressor Mounting Base Air-cooled Back Panels		
7	000009146	Back Panel - Air-cooled Models		
8	3005689	Air Filter		
9	000007314	Air Baffle Assembly Water-cooled & Remote Air-cooled Back Panels		
10	000009153	Back Panel with Electrical Connection Box - Water-cooled and Remote Air-cooled		
11	6061739	Back Coupling Panel - Water-cooled and Remote Air-cooled		
12	8706083	Female Wing Adapter - 0.50"		
13		Front Panel LCD Frame		
13a	000006647	LCD Frame with Key Guard		
13b	000006564	LCD Frame without Key Guard		
13c	K00433	Display Cover		[1]
14	5004899	Front Door Screw		
15	7602263	Bottom Door Frame		
15a	5005379	Mounting Screw - #8-32 x 1.0" PHIL		
15b	5202099	Screw - #10-24 x 0.50" PHIL		
16	3005579	Left Door Pivot Leaf Hinge		[2]
16a	5005379	Mounting Screw - #8-32 x 1.0" PHIL		
17	6068649	Left Top Channel		
18	6062579	Right Top Channel		
19		Left Corner Post - See Note for Serial Break		
19a	6062939	Left Corner Post		[3]
19b	000010299	Left Corner Post		[4]
20		Right Corner Post - See Note for Serial Break		
20a	6062929	Right Corner Post		[3]
20b	000010680	Right Corner Post		[4]
21		Electrical Box on Rear of Ice Machine		
21a		Box with Cover		[5]
21b	5202169	Screw - #10-24 x 0.50" Ground		
22	7112239	Cartoning		

PART NOTES:

- [1] - hides the display completely
- [2] - (Top or Bottom)

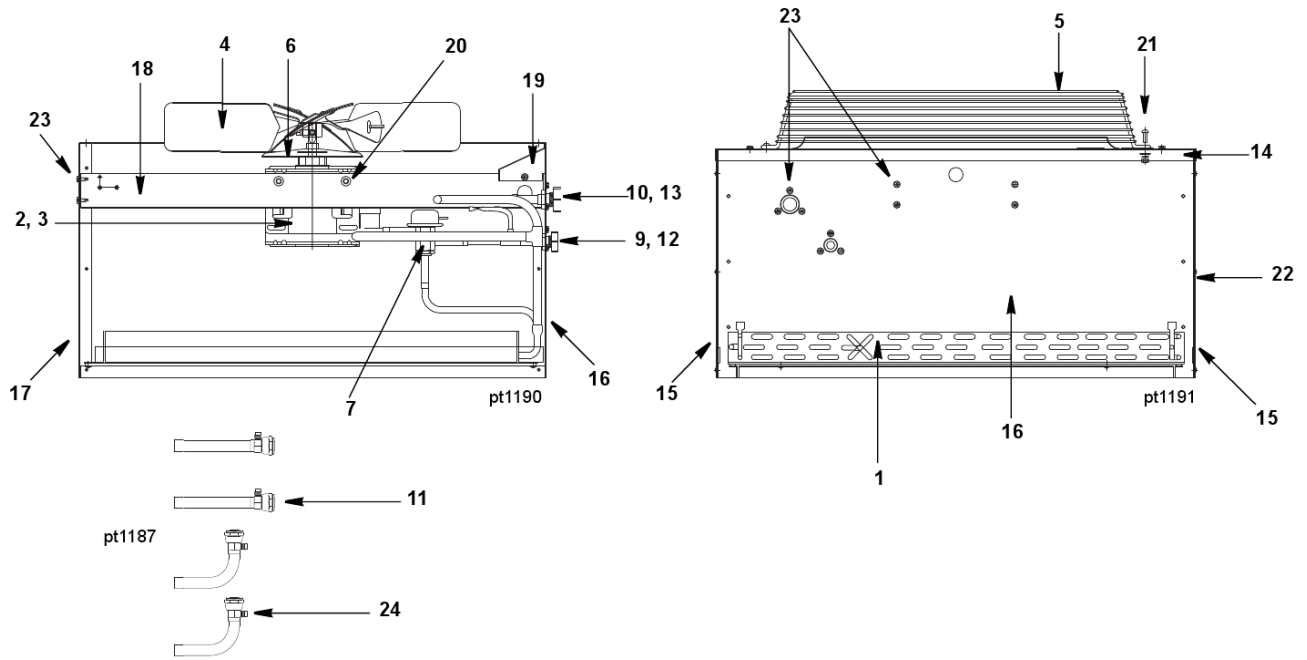
i0606, JC0895 Indigo

I0606 PANELS

PART NOTES:

- [3] - Before Serial Number 1101223883
- [4] - After Serial Number 1101223883
- [5] - Included in Back Panel Assembly

JC0895 REMOTE CONDENSER



i0606, JC0895 Indigo

JC0895 REMOTE CONDENSER

#	PART #	DESCRIPTION	QTY	Note
1	8850629	Air Condenser		
2	7629413	Fan Motor - 208-230V/50-60 Hz/1 Ph		
3	8504583	Fan Motor Run Capacitor		[1]
4	2416113	Fan Blade		
5	3400643	Fan Guard		
6	2415053	Rain Slinger		
7	000004070	Head Pressure Control Valve		
8	000008040	Terminal Block - 3 Pole		
9	8360343	Coupling - Male - 0.625"-18		
10	8360353	Coupling - Male - 1.17"-12		
11	K00129	Female Line Set Coupling Kit		
12	8360053	Coupling Mounting Flange for 0.625"-18		
13	8360063	Coupling Mounting Flange for 1-1/16"-12		
14	6017751	Top Cover		
15		Panel - Side - See Note for Serial Break		
15a	6017741	Panel - Side		[2]
15b	000000609	Panel - Side		[3]
16		Panel - Rear - See Note for Serial Break		
16a	6017731	Panel - Rear		[2]
16b	000000608	Panel - Rear		[3]
17		Panel - Front - See Note for Serial Break		
17a	6017721	Panel - Front		[2]
17b	000000607	Panel - Front		[3]
18	6017681	Fan Motor Mounting Bracket		
19	6017761	Electrical Box Cover		
20	5035659	Fan Motor Mounting Screw		[4]
20a	5573099	Mounting - Flatwasher		
20b	5573139	Mounting - Lockwasher		
20c	5429759	Mounting - Hexnut		
21	5033459	Screw - 0.25"-20 x 0.625"		
21a	5573049	Flatwasher		
21b	5545119	Mounting - Lockwasher		
21c	5429529	Mounting - Hexnut		
22	5121539	Panel/Condenser Mounting Screw - #8 x 0.50"		
22a	5544599	Panel/Condenser Mounting Lockwasher		
23	5202069	Screw - #10-24 x 0.50" HEX		
24	7626843	Valve Cores		[5]
25		Legs - See Note for Serial Break		
25a	6017691	Legs		[6]
25b	000000718	Legs		[7]
26	7108369	Cartoning		

PART NOTES:

- [1] - (Emerson)
- [2] - Before Serial Number 110536595

i0606, JC0895 Indigo

JC0895 REMOTE CONDENSER

PART NOTES:

- [3] - After Serial Number 110536595
- [4] - (5/16-18 x 5/8)
- [5] - (used in line sets)
- [6] - Before Serial Number 110529484
- [7] - After Serial Number 110529484