

EDGE STAR®

COMMERCIAL BEVERAGE MERCHANDISER

MODEL: VBM131SS



FEATURES:

- 13.70 cubic feet of storage capacity
- Approved for commercial use
- Sleek stainless steel finish
- Efficient compressor cooling for your beverages
- Adjustable vinyl coated adjustable shelves
- Included door lock
- Reversible door
- Front venting for built-in or freestanding installations
- CSA Sanitation certified
- Soft white LED interior lighting
- Temperature range of 34 - 64° F
- Simple controls and clear digital display



EDGE STAR.COM

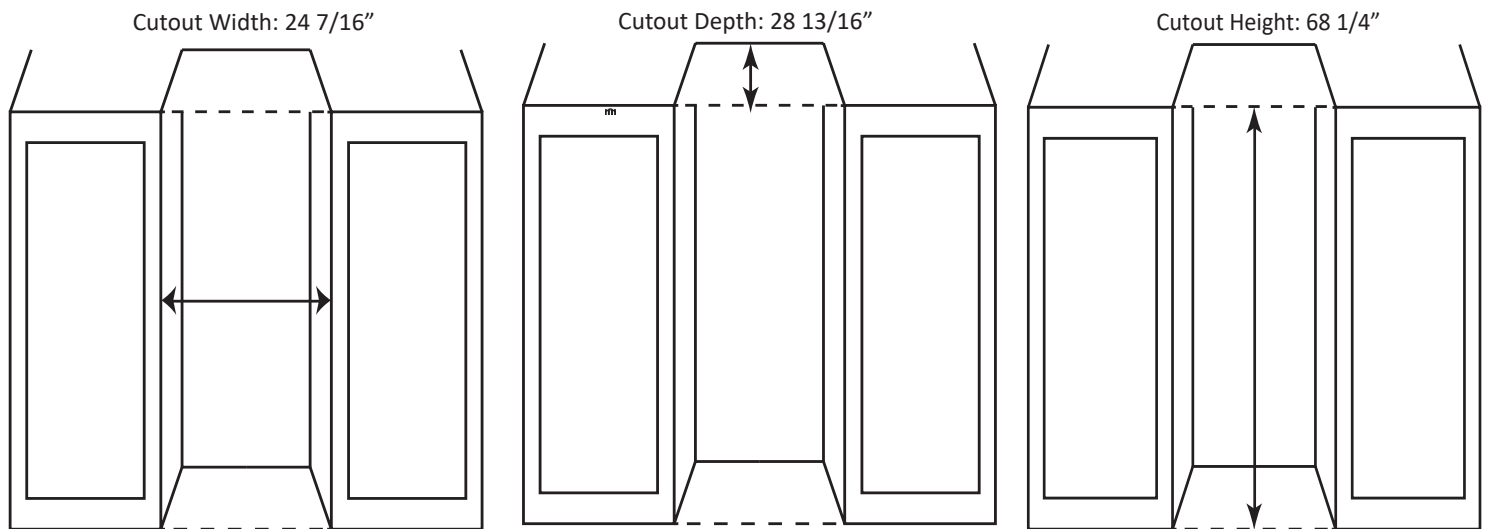
©2020 Ferguson Enterprises, LLC MMY #REF#

CUTOUT DIMENSIONS

WIDTH

DEPTH

HEIGHT



Opening Width (W) 24 7/16"

Opening Depth (D) 28 13/16"

Opening Height (H) 68 1/4"

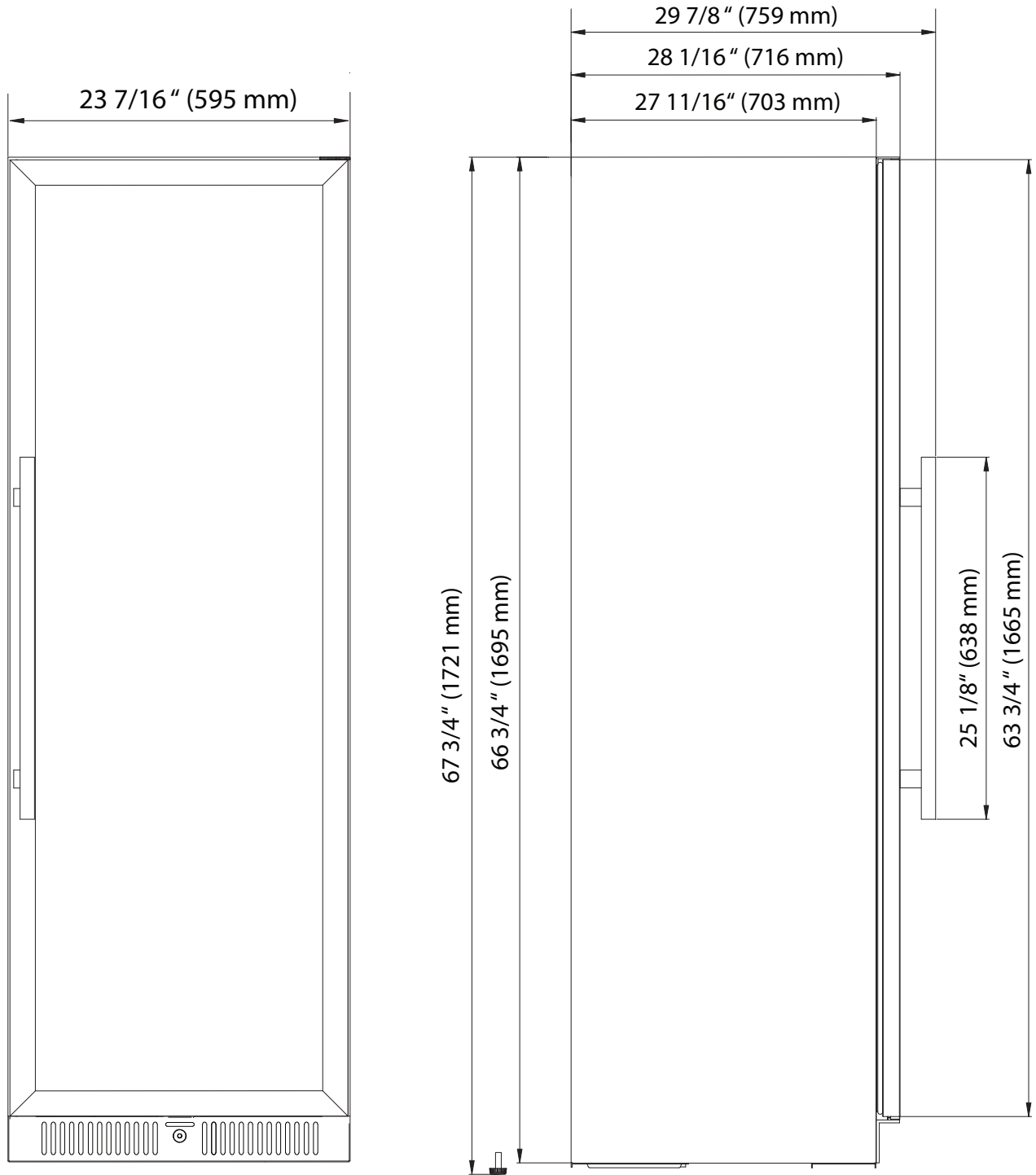
SPECIFICATIONS

MODEL #	VBM131SS
Capacity (Cu Ft)	13.70
Capacity (12 oz. Cans)	252
Temperature Range	34 - 64°F
Lighting	White LED
Refrigerant	R600a, 1.6 oz.
Product Width	23 7/16"
Product Depth	28 1/16"
Product Depth with Handle	29 7/8"
Height	67 3/4"
Net Weight	185 lbs.
Amps	1.4
Electrical Supply	115V, 60 Hz

WARRANTY:

1 Year Limited Parts and Labor

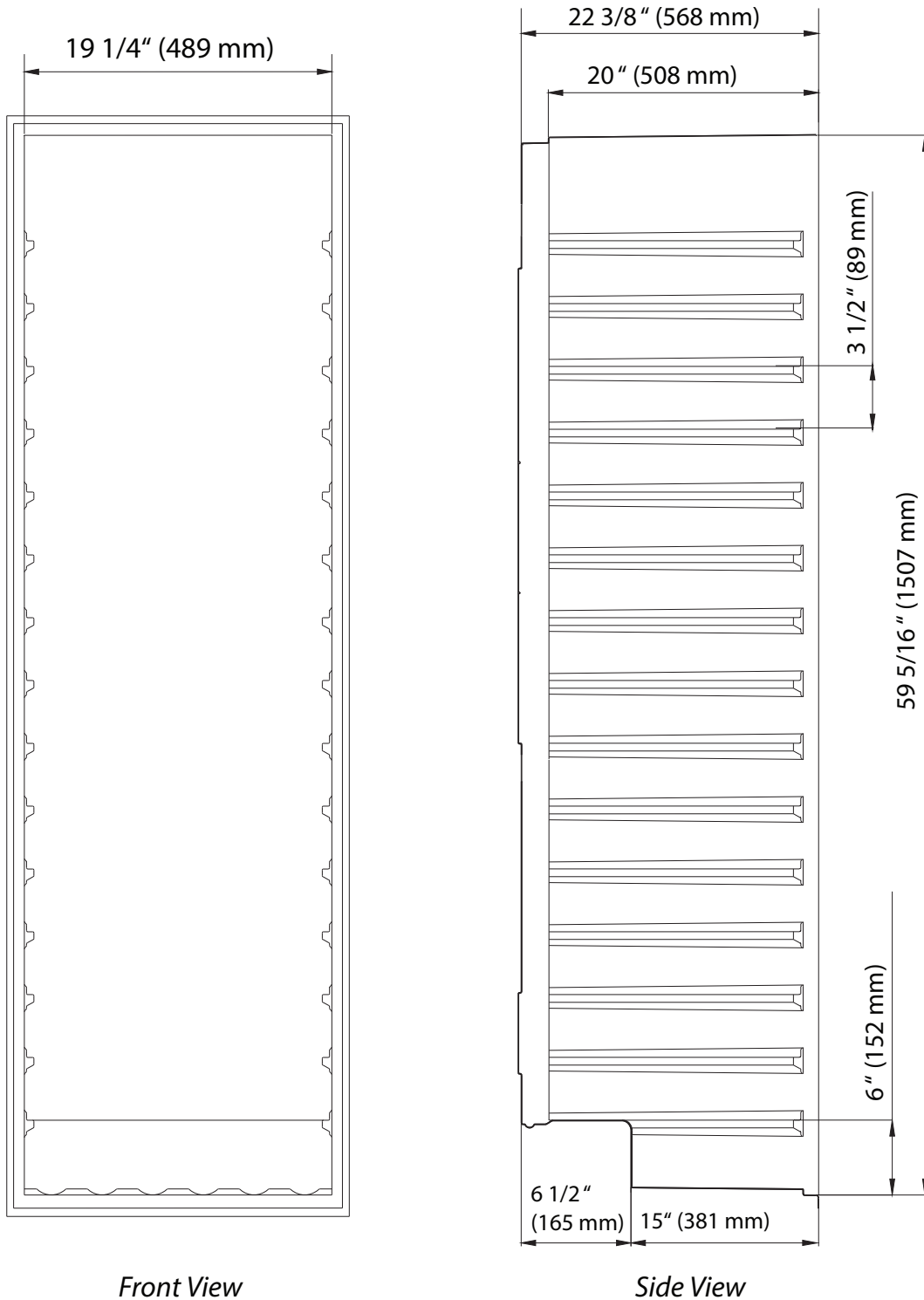
EXTERIOR DIMENSIONS



Front View

Side View

INTERIOR DIMENSIONS



DOOR SWING

