

Features

- Toilet paper holder
- Available in 4 finishes
- Solid brass base
- Click Installation: Allows for Easy Wall Mount Installation and Removal
- Includes Mounting Hardware





Mito A2025A




SKU# | Option:

- Mito A2025A AC | Brushed nickel
- Mito A2025A CR | Polished chrome
- Mito A2025A CU | Chrome / Black soft touch
- Mito A2025A CW | Chrome / White soft touch

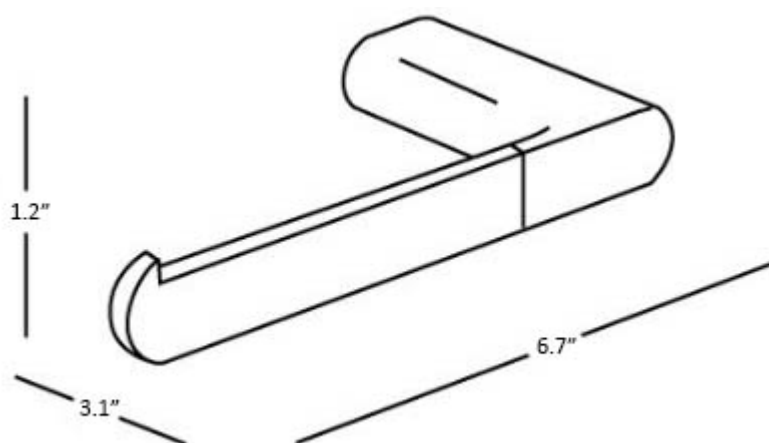
Finishes

-  AC Brushed Nickel
-  CR Polished Chrome
-  CU Chrome / Black Soft Touch
-  CW Chrome / White Soft Touch

<p><b>Collection</b> Mito</p>	<p><b>Model  </b> Mito A2025A</p>	<p>Dimensions Metric  <i>1 inch = 2.54 cm</i>  <i>1 inch = 25.4 mm</i></p>	 <p>1051 Lea Drive - Collegeville, PA 19426          Tel. 215 513 9400 - Fax 610 831 0215  <a href="http://www.ws bathcollections.com">www.ws bathcollections.com</a> - <a href="mailto:info@ws bathcollectins.com">info@ws bathcollectins.com</a></p>
-----------------------------------	---------------------------------------	--	---

# Product Specs Sheets

## TECHNOLOGIES



Collection  
Mito

Model |  
Mito A2025A

Dimensions Metric  
*1 inch = 2.54 cm*  
*1 inch = 25.4 mm*

The logo for WS BATH COLLECTIONS, featuring the letters "WS" in a large, stylized font with a blue triangle above the "S", followed by "BATH COLLECTIONS" in a smaller, bold, sans-serif font.

1051 Lea Drive - Collegeville, PA 19426  
Tel. 215 513 9400 - Fax 610 831 0215  
[www.ws bathcollections.com](http://www.ws bathcollections.com) - [info@ws bathcollections.com](mailto:info@ws bathcollections.com)