

SWIVEL

BODY SPRAY

SKU: 917523

FEATURES

- Material: Brass
- Installation Type: Wall Mount
- Assembly Required: No
- Easy-to-Clean Silicone Nozzles
- Metal Ball Joint Allows for Swivel Function
- Sold Individually



CONTENTS

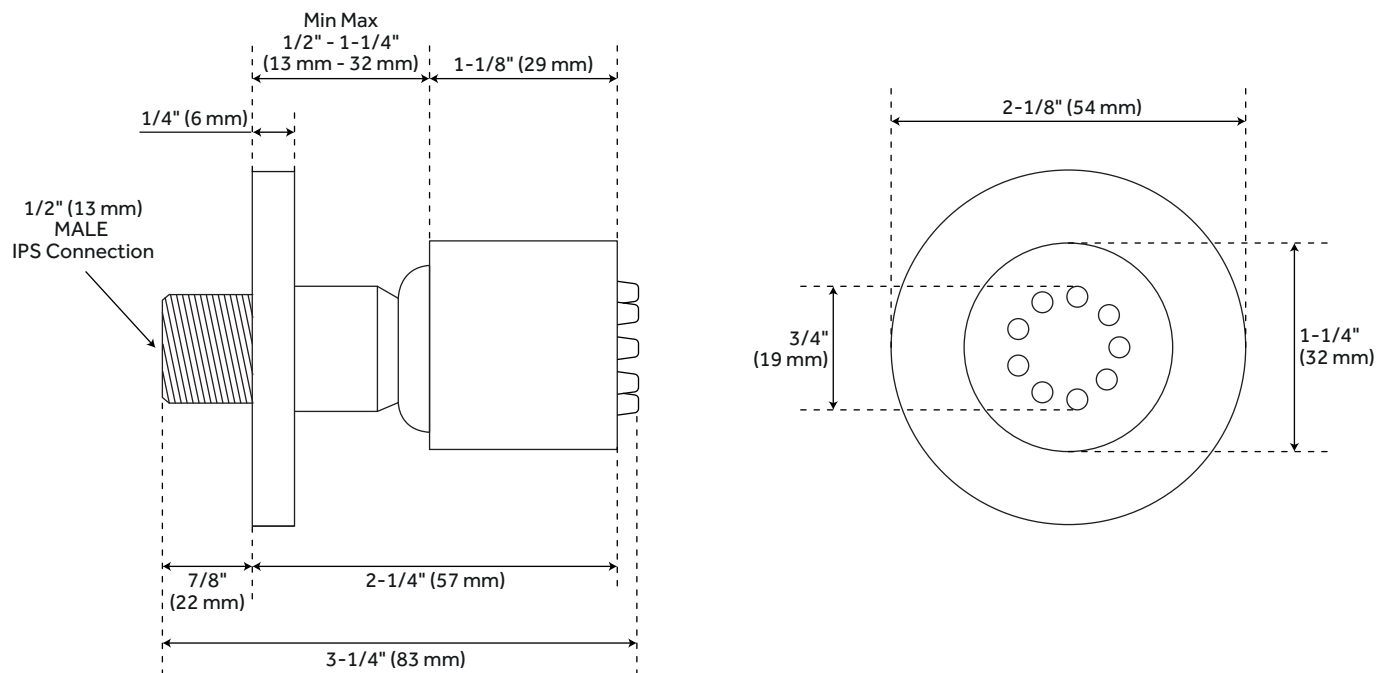
BODY SPRAY PAGE 2

REVISED 05/06/2020

SWIVEL

BODY SPRAY

SKU: 917523



FEATURES

- Diameter: 2-1/8"
- Width: 2-1/4"
- Spray Area Diameter: 1-1/4"
- NPT Male Thread Inlet: 1/2"

CODES/STANDARDS

- cUPC
- ASME A112.18.1/CSA B125.1

PRODUCT IMAGE



All dimensions and specifications are nominal and may vary. Use actual products for accuracy in critical situations.

PAGE 2
Code: 463404, 463405
463406, 500449, 500450, 500451