

Ceramic Lavatory Top

Ceramic rectangle vessel without overflow
(Straight outer sides, flared top ledge)

Model: **CB5032**

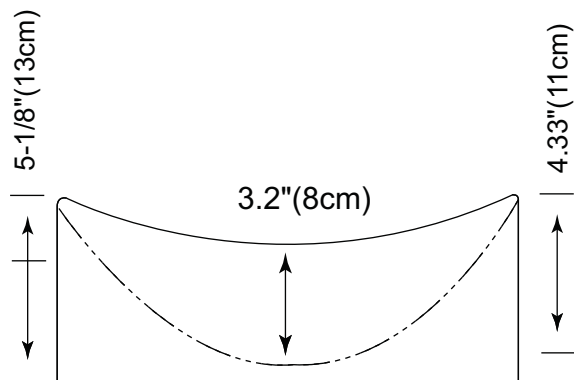
Codes/Standards Applicable

Specified model meets or exceeds the following:

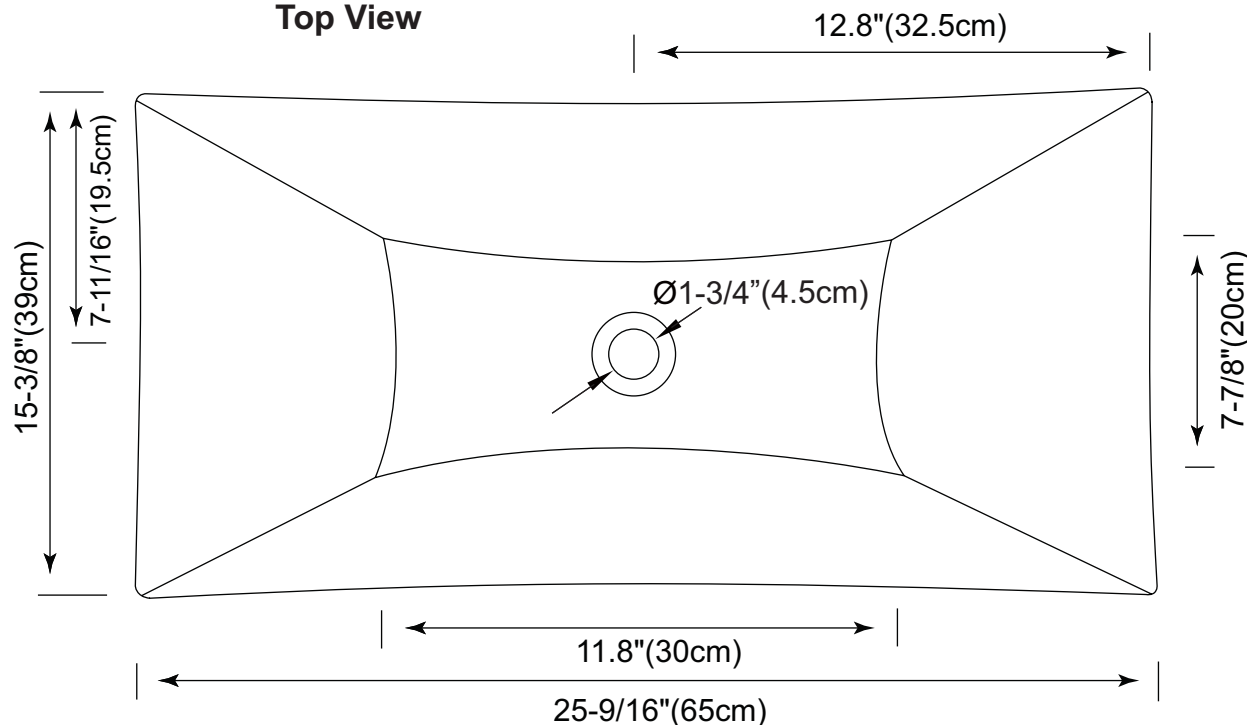
- ASME A112.19.2
- IAPMO/cUPC®
- CSA B45
- CMR 248



Left View



Top View



Front View

