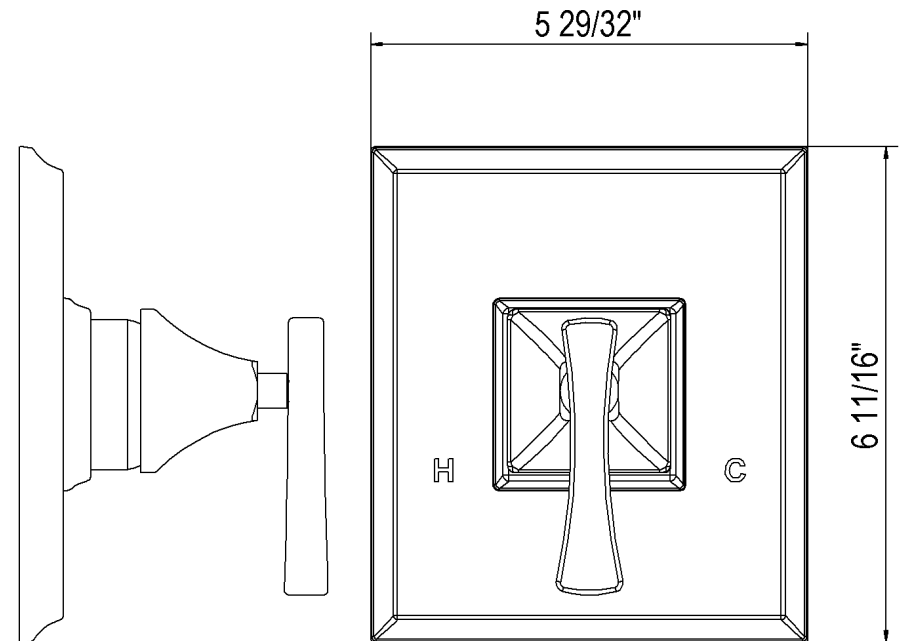


ROHL MATHESON PBV SHOWER TRIM SET

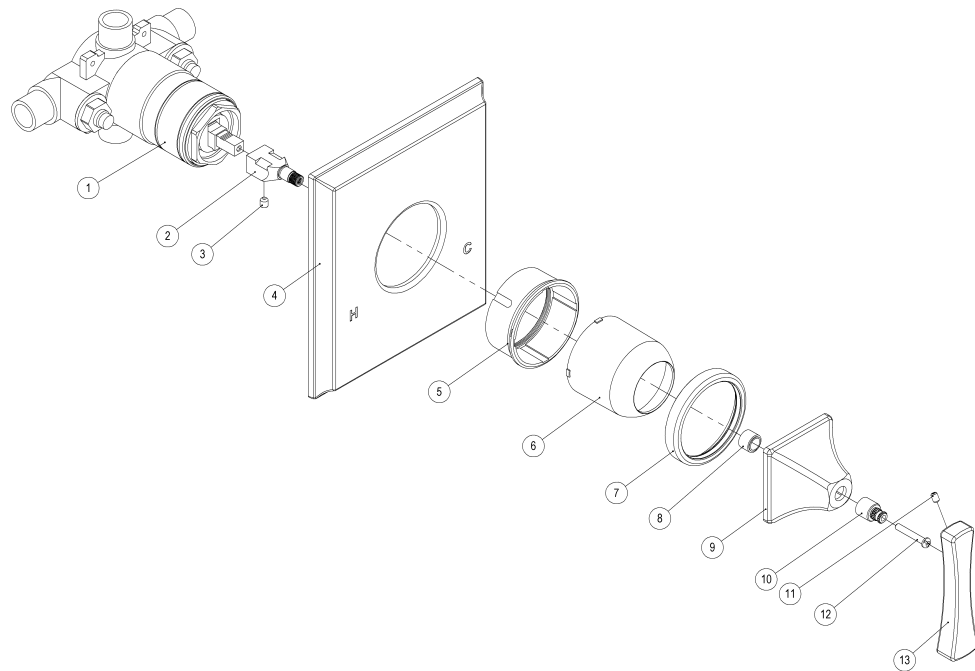
ML2013LMAPC, ML2013LMPN, ML2013LMSTN

For Pressure Balance Without Diverter Rough Valve R2012D

INSTALLATION INSTRUCTIONS



Please leave instructions with the home owner once installed.



1	P.B.V SHOWER VALVE - NOT INCLUDED
2	CARTRIDGE INTERFACE
3	GRUB SCREW M5 X 15/64"
4	FACEPLATE
5	FACEPLATE NUT
6	COVER SLEEVE
7	NUT TRIM COVER
8	BRASS SLEEVE
9	LEVER ESCUTCHEON
10	LEVER INTERFACE SPACER
11	GRUB SCREW M4 X 15/64"
12	PAN HEAD SCREW M4 X 1"
13	LEVER

Installation Instructions

1. Remove Mud cover and the #5 faceplate nut on the rough valve. (Not shown.)
Please note: #5 faceplate nut (R945440) is included with the rough, not the trim package.
3/8" extension kit available; order R945440/2.
2. Remove trim parts #13 through #8 and cartridge interface #2.
3. **Install the cartridge interface #2** and tighten grub screw #3, as shown.

Installing Faceplate and Cover Sleeve:

1. Install the faceplate #4 over PBV and set square to the wall with "H" (hot) on the left.
2. Slide the cover sleeve #6 inside the 4 grooves of the faceplate nut #5. Install to the PBV, using the cover sleeve as a tool and tighten.
 - a. Apply **grease to the o-rings** on the PBV for cover sleeve install.
 - b. Note: The edge of the faceplate nut holds the faceplate firm against the finished wall.
3. Slide the nut trim cover #7 over cover sleeve and against the faceplate.

Installing lever:

1. Position the brass sleeve #8, then the escutcheon #9 onto the cartridge interface #2.
Note: Escutcheon **must be centralized** on the cartridge interface and **set square**.
2. Install the interface spacer #10 and the pan head screw #12 and tighten.
3. Install the lever #13 as shown.

Operation of valve:

Install the lever in the down or 6 O'Clock position.

Tip up for on and to regulate volume.

Turn to 7 O'Clock for Hot.

Turn to 5 O'Clock for Cold.

Care and Maintenance: After use, wipe down with a soft, dry cloth.

For all chrome plated surfaces clean this product with warm soapy water and then dry with a dry soft cloth.

Nickel plated, satin and Inca brass finishes should be cleaned with a soft cloth and warm water and then dried with a dry soft cloth.

Do not use cream cleaners or cleaning agents containing a corrosive acid or scouring agent including: Softscrub, Comet, Ajax and Bonami, as these may damage the surface of the faucet.

Do not use any spray cleaners with ammonia or alcohol like Windex, 409 or Fantastik.

Any use of unsuitable cleaning agents causing damage to the surface will not be covered by the warranty.

WARRANTY: Warranty is limited lifetime. See ROHL website for details.

(www.rohlhome.com)

A basic in-line filter system is required for the house to protect any debris from entering the water supply line to the house (i.e. due to construction or service work on the street water main).