



66 x 36 Plus Series Whirlpool & Soaking Baths

Product Features

- Durable easy-care acrylic construction
- Eight adjustable color matched hydro jets, including a lumbar jet
- Powerful 7.8 amp pump/motor
- Factory preset air controls for whirlpool action
- Electronic on/off switch
- Textured slip-resistant bottom
- Integral tile flange
- Pre-leveled base, for easy installation
- Heater blank, safety suction and silent air induction
- Available as an invigorating whirlpool and an unjetted soaking bath

General Specifications

- 66" length overall
- 36" width overall
- 19 3/4" height overall
- 40 gallon operating capacity
- 60 gallon total capacity to overflow
- Prewired for simple plug-in installation
- Requires a single 115V/20 amp GFCI circuit

Color Palette

- White - WH
- Biscuit - BS



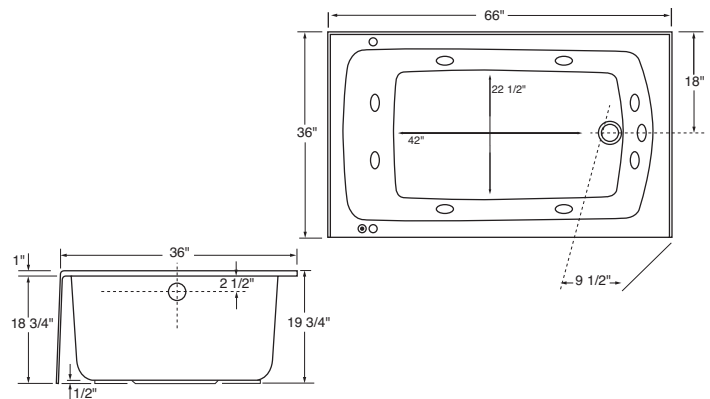
With Integral Skirt

PFW6636LSKWH

Model Numbers

PFW6636LSK	66" x 36" whirlpool with integral skirt - left hand drain
PFW6636RSK	66" x 36" whirlpool with integral skirt - right hand drain
PFS6636LSK	66" x 36" soaking bath with integral skirt - left hand drain
PFS6636RSK	66" x 36" soaking bath with integral skirt - right hand drain
MIRPRESSHTR	Whirlpool heater

Product Specifications



Warranty and Codes

This product features a 5-year limited warranty and meets or exceeds the following standards: Whirlpools - IAPMO PS32-84, UL listing 27E7, ANSI Z124.1-95, ASME A112.19.8M-87R(96) and ASME A112.19.7M-95. Baths - ANSI Z124.1-95. In an effort to continually improve our products, design changes may periodically be made. Ferguson reserves the right to provide newly designed material to fill any order unless otherwise agreed to in writing.

Construction

This PROFLO Whirlpool is constructed of the highest-grade acrylic and reinforcement composites available. The plumbing system utilizes high-pressure air and waterway tubing and each joint is solvent welded and pressure tested. Each unit is leveled and performance tested before leaving the factory.



LUCITE[®]
The source of inspiration

NOTE: All dimensions and specifications are nominal and may vary $\pm 1/4$ ". Use actual products for accuracy in critical situations.