

4

3

2

1

**BILL OF MATERIAL (CURRENT LEVEL)**

ITEM	PT/ASSY	DESCRIPTION	TYPE	QTY.
1	10517	NUT - DOME HEX	PART	2
2	2-132	BAR SPOUT ASM	ASSEMBLY	1
3	2-239	SINGLE HOLE CROSS BAR ASSEMBLY	ASSEMBLY	1
4	2-103C	LEVER HANDLE - COLD	ASSEMBLY	1
5	2-103H	LEVER HANDLE - HOT	ASSEMBLY	1

D

D

C

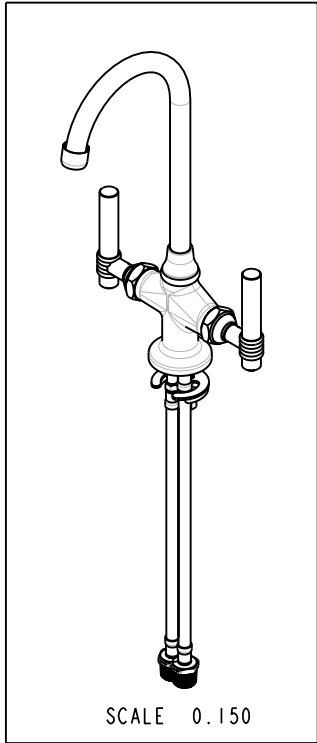
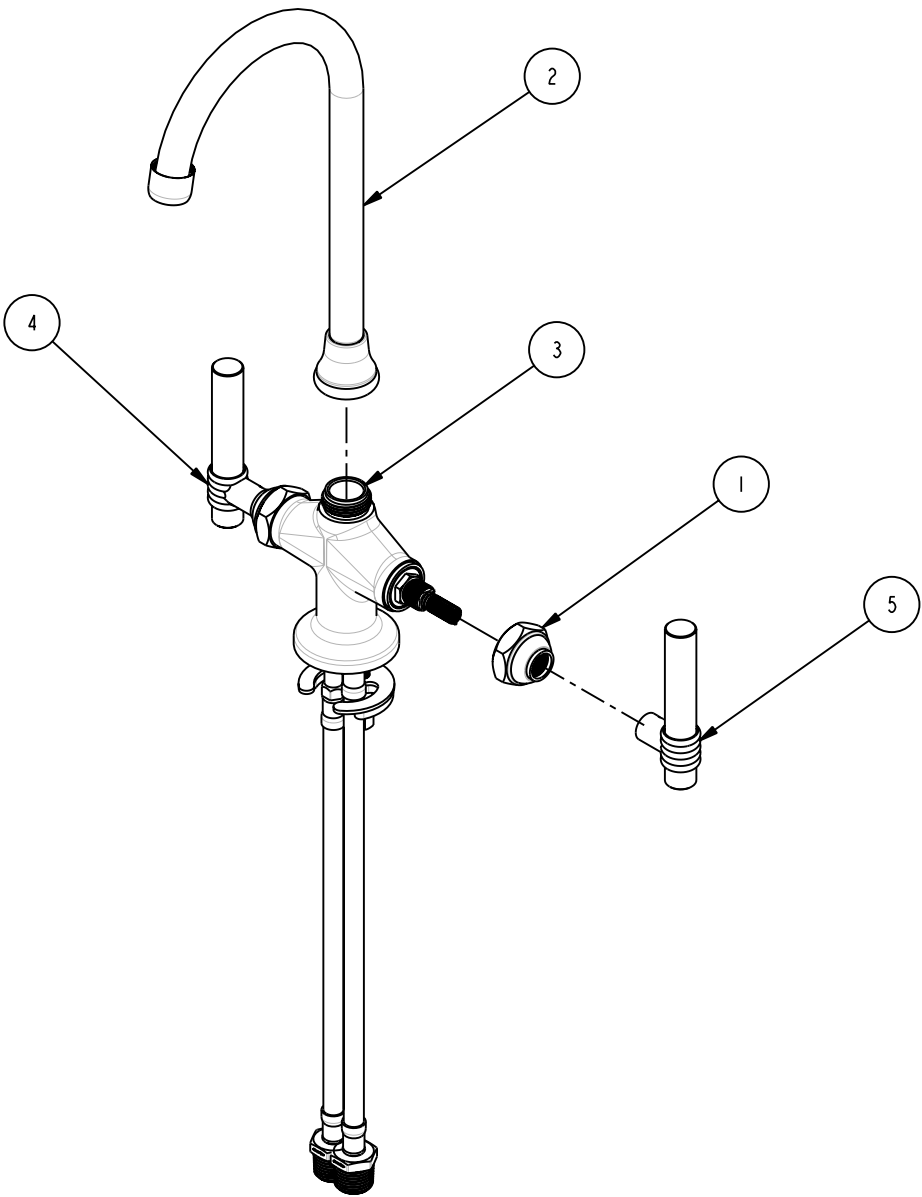
C

B

B

A

A



COPYRIGHT 2003 BRASSTECH, INC. THESE DRAWINGS AND THE DESIGNS DEPICTED HEREIN ARE THE PROPRIETARY PROPERTY OF BRASSTECH. ANY USE OR REPRODUCTION IS SUBJECT TO THE EXPRESS APPROVAL OF BRASSTECH. UNAUTHORIZED USE IS STRICTLY PROHIBITED. ALL RIGHTS RESERVED.

**BRASSTECH**  
 INCORPORATED  
 2001 E. CARNEGIE AVE.  
 SANTA ANA, CA 92705  
 (949) 417-5207

**BAR FAUCET**

ASSY. NO.		9081	
SCALE 0.250	REF. -	SHEET 1 OF 2	
REV	REV DESC	DATE	

4

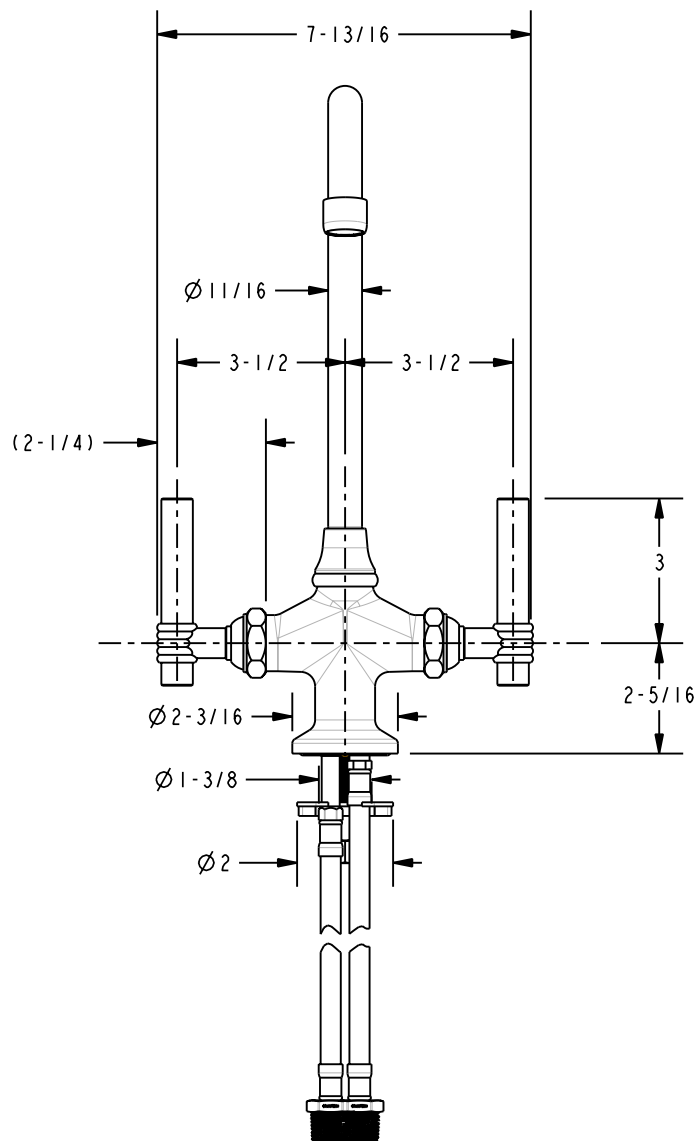
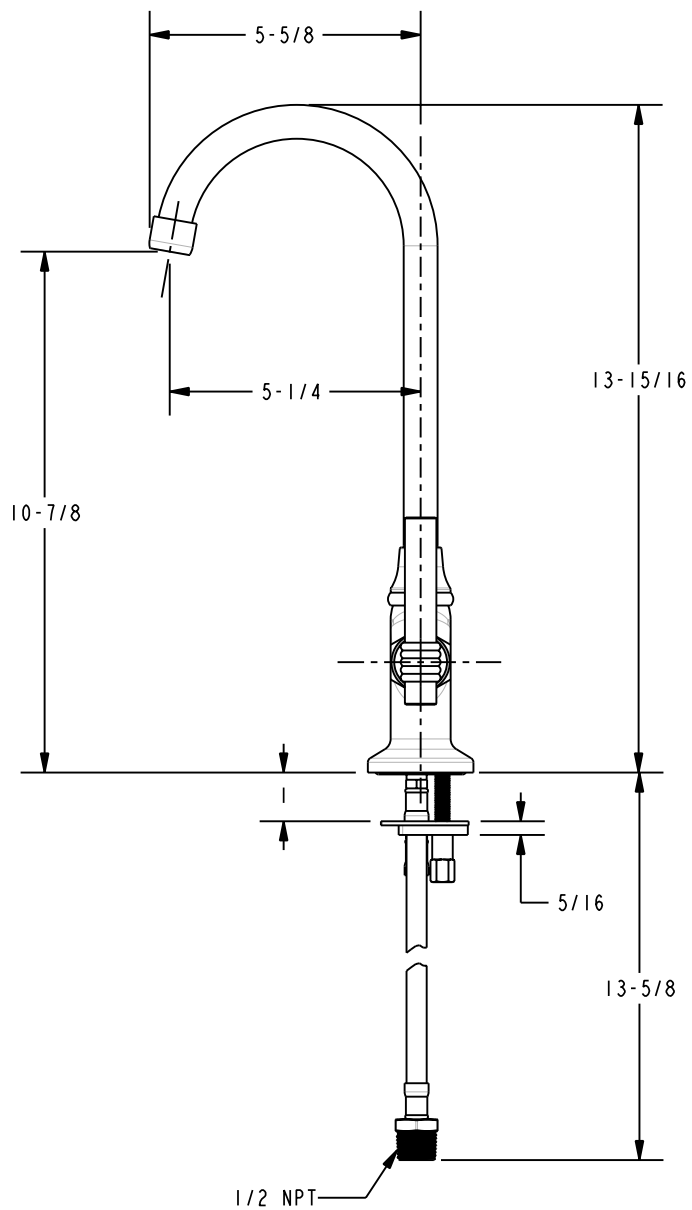
3

2

1

B	EO-0274	10/20/03
A	EO-0098	10/17/02
-	RELEASED	PRE-99

**SPECIFICATION DWG**



DIMENSIONS ARE IN INCHES AND AN APPROXIMATION OF A TYPICAL INSTALLATION

COPYRIGHT 2004 BRASSTECH, INC. THESE DRAWINGS AND THE DESIGNS DEPICTED HEREIN ARE THE PROPRIETARY PROPERTY OF BRASSTECH. ANY USE OR REPRODUCTION IS SUBJECT TO THE EXPRESS APPROVAL OF BRASSTECH. UNAUTHORIZED USE IS STRICTLY PROHIBITED. ALL RIGHTS RESERVED.

<b>BRASSTECH</b>		2001 E. CARNEGIE AVE.
INCORPORATED		SANTA ANA, CA 92705
		(949) 417-5207
DWG NO.	9081	REV B
SCALE 0.250	REF. -	SHEET 2 OF 2